



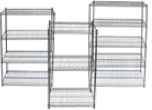



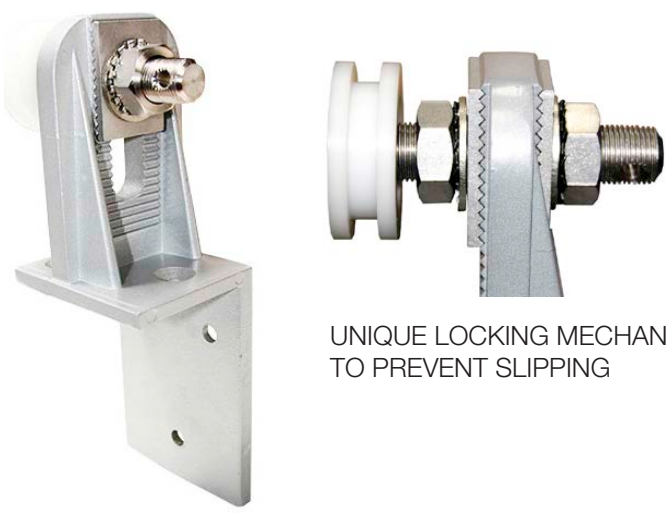
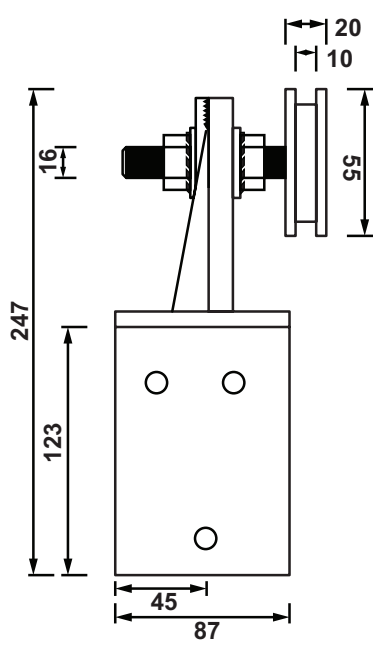
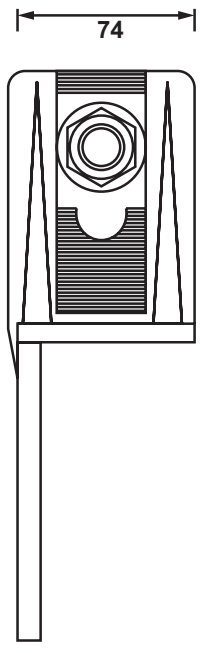
	REFIGERATION & COLD STORAGE HARDWARE.....	1-182
	INSULATED PANEL SUSPENSION SYSTEMS.....	183-197
	PVC STRIP CURTAINS.....	198-215
	FERMOD SLIDING DOOR KITS.....	216-238
	LIGHTING PRODUCTS.....	239-251
	SHELVING SOLUTIONS.....	252-272
	ADHESIVES SILICONE AND SEALANTS.....	273-285
	FASTENERS.....	286-295
	TOOLS AND ACCESSORIES.....	296-297



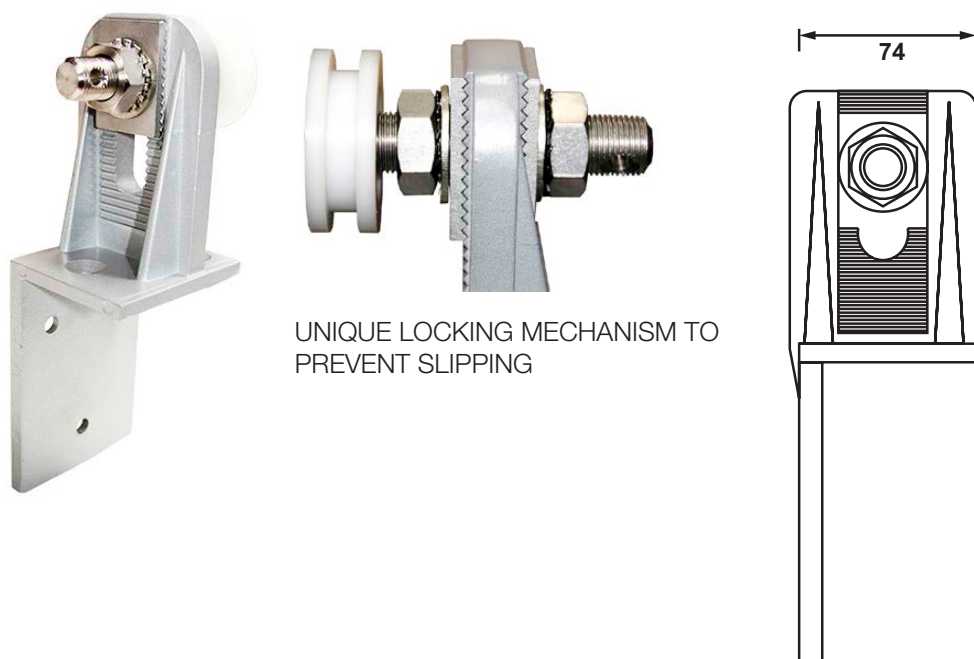
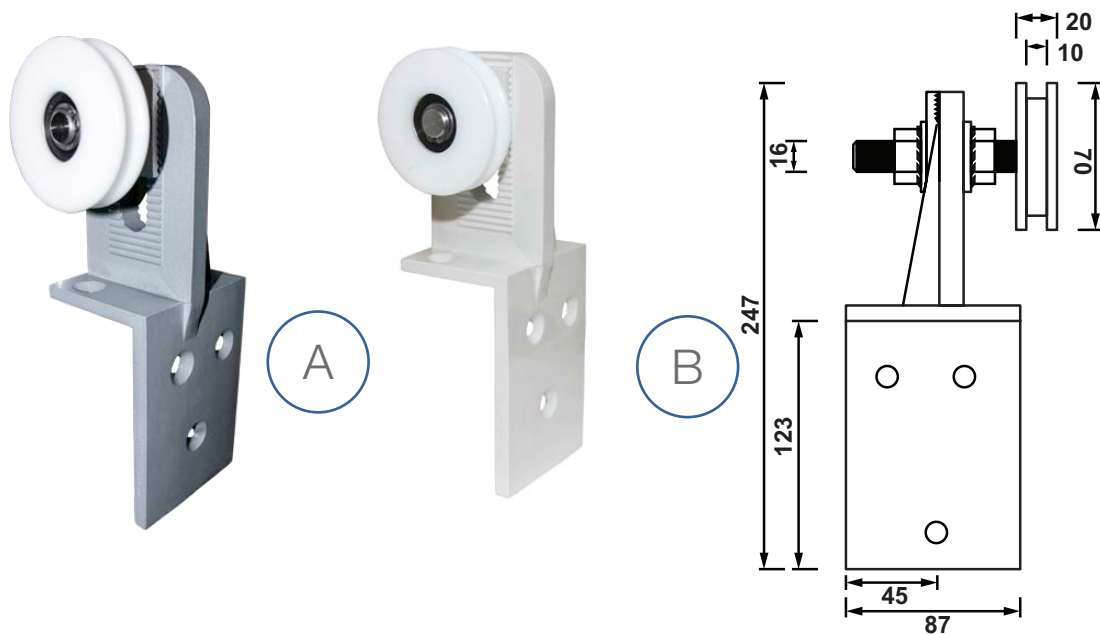
SLIDING DOOR HARDWARE  
Large Hanging Roller Assemblies



UNIQUE LOCKING MECHANISM  
TO PREVENT SLIPPING



	Code	Description	Material	Colour
	A120GLHLOCK-55	Large hanging roller assembly, left hand, 55mm square profile wheel.	High pressure die-cast aluminium, SS fittings, axle 3/4 UNF 16TPI	Grey
A	A120GRHLOCK-55	Large hanging roller assembly, right hand, 55mm square profile wheel.		Grey
	A120WLHLOCK-55	Large hanging roller assembly, left hand, 55mm square profile wheel.		White
B	A120WRHLOCK-55	Large hanging roller assembly, right hand, 55mm Square profile wheel.		White



	Code	Description	Material	Colour
A	A120GLHLOCK-70	Large hanging roller assembly, left hand, 70mm square profile wheel.	High pressure die-cast aluminium, SS fittings, axle 3/4 UNF 16TPI	Grey
	A120GRHLOCK-70	Large hanging roller assembly, right hand, 70mm square profile wheel.		Grey
B	A120WLHLOCK-70	Large hanging roller assembly, left hand, 70mm square profile wheel.		White
	A120WRHLOCK-70	Large hanging roller assembly, right hand, 70mm square profile wheel		White

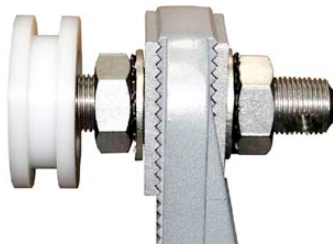
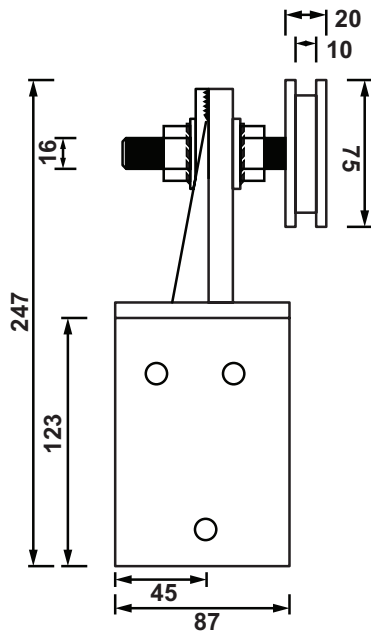
SLIDING DOOR HARDWARE  
Large Hanging Roller Assemblies



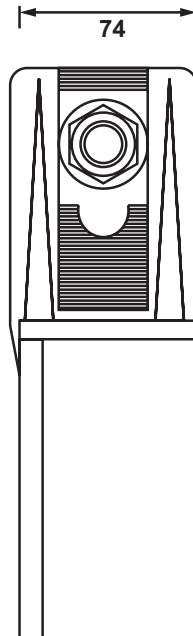
A



B



UNIQUE LOCKING MECHANISM  
TO PREVENT SLIPPING



	Code	Description	Material	Colour
A	A120GLHLOCK-75	Large hanging roller assembly, left hand, 75mm square profile wheel.	High pressure die-cast aluminium, SS fittings, axle 3/4 UNF 16TPI	Grey
	A120GRHLOCK-75	Large hanging roller assembly, right hand, 75mm square profile wheel.		Grey
B	A120WLHLOCK-75	Large hanging roller assembly, left hand, 75mm square profile wheel.		White
	A120WRHLOCK-75	Large hanging roller assembly, right hand, 75mm square profile wheel.		White

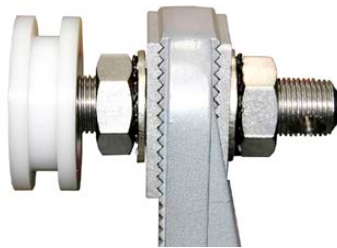
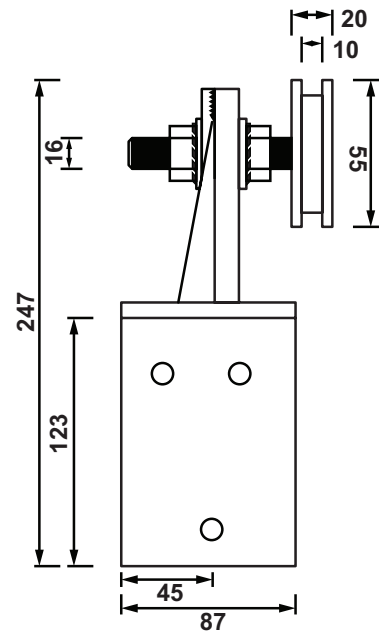
SLIDING DOOR HARDWARE  
Double Wheel Hanging Roller Assemblies



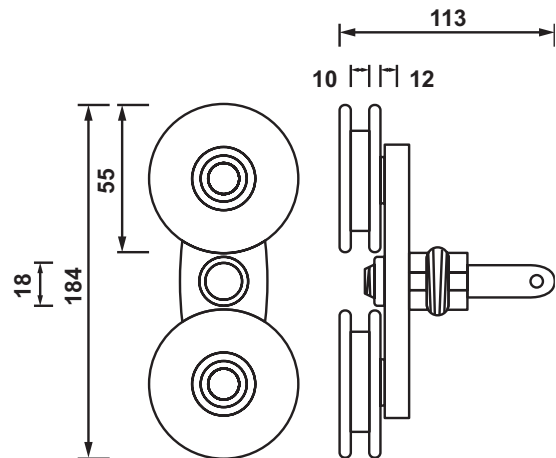
A



B

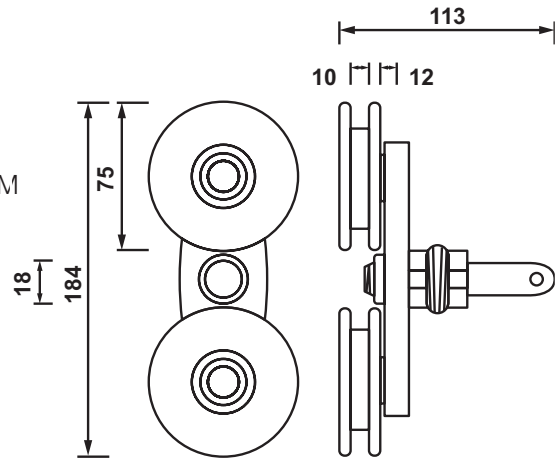
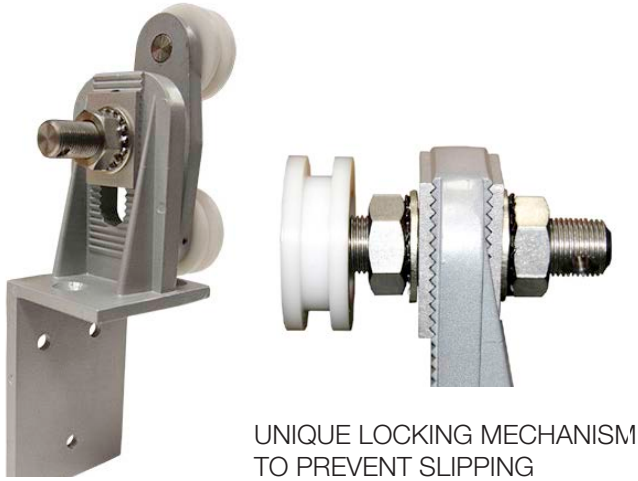
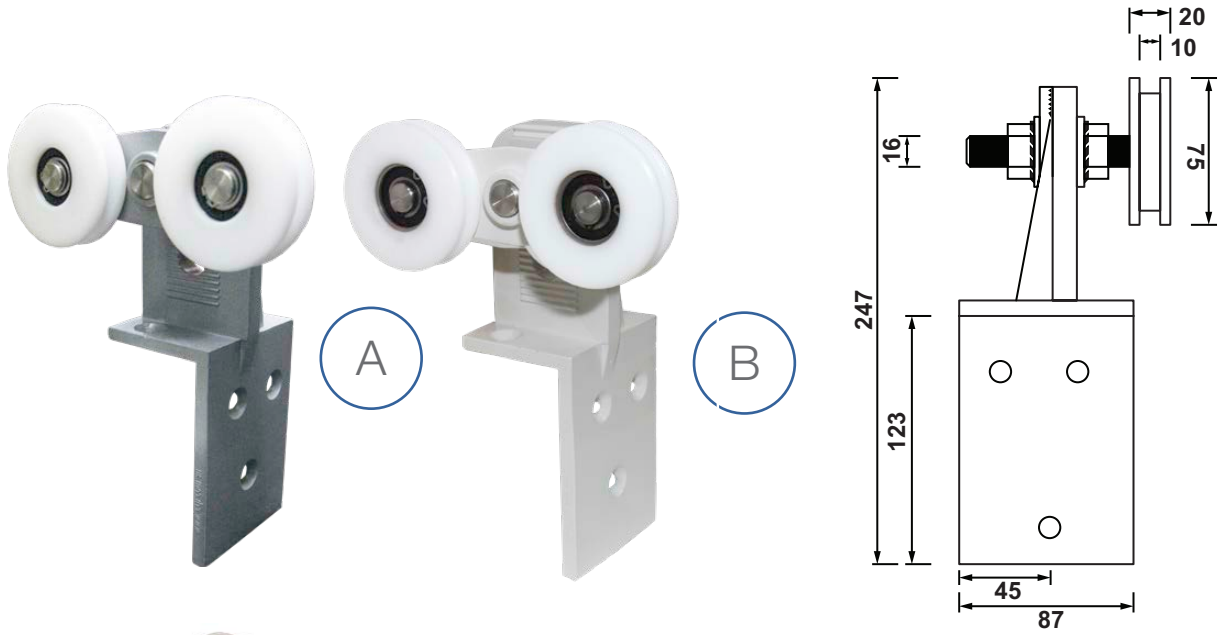


UNIQUE LOCKING MECHANISM  
TO PREVENT SLIPPING

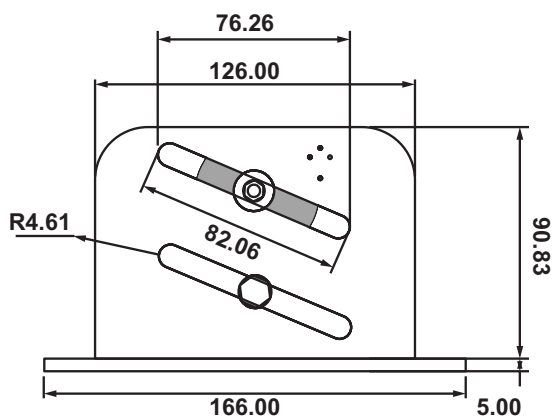
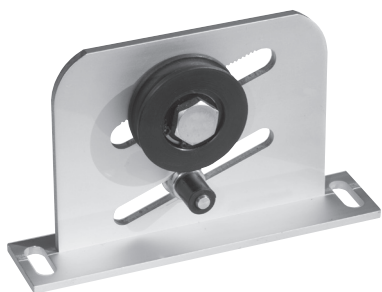


	Code	Description	Material	Colour
A	A130GLH-55	Double bogie roller assembly, left hand, 55mm wheels.	High pressure die-cast aluminium, SS fittings, axle 3/4 UNF 16TPI	Grey
	A130GRH-55	Double bogie roller assembly, right hand, 55mm wheels.		Grey
B	A130WLH-55	Double bogie roller assembly, left hand, 55mm wheels.		White
	A130WRH-55	Double bogie roller assembly, right hand, 55mm wheels.		White

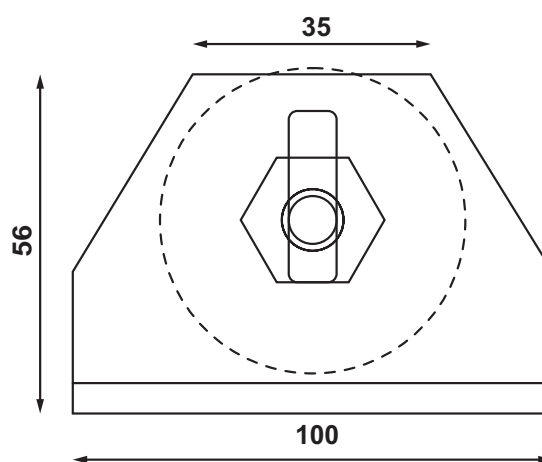
SLIDING DOOR HARDWARE  
Double Wheel Hanging Roller Assemblies



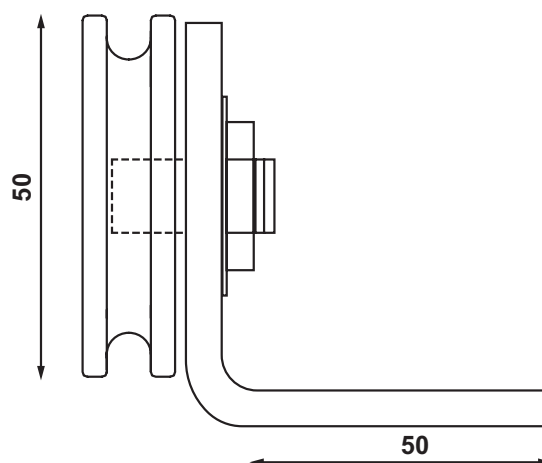
	Code	Description	Material	Colour
A	A130GLH	Double bogie roller assembly, left hand, 75mm wheel.	High pressure die-cast aluminium, SS fittings, axle 3/4 UNF 16TPI	Grey
	A130GRH	Double bogie roller assembly, right hand, 75mm wheel.		Grey
B	A130WLH	Double bogie roller assembly, left hand, 75mm wheel.		White
	A130WRH	Double bogie roller assembly, right hand, 75mm wheel.		White



A



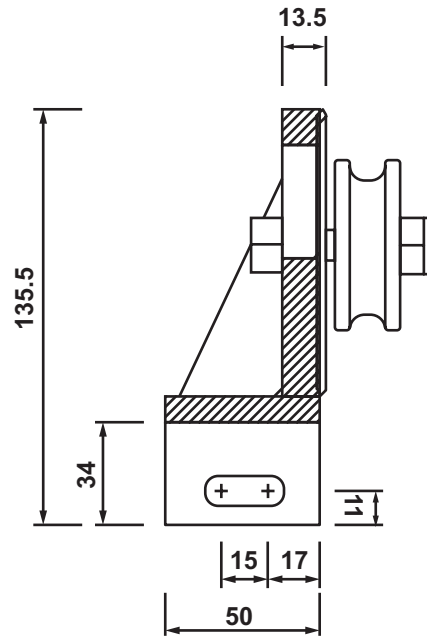
B



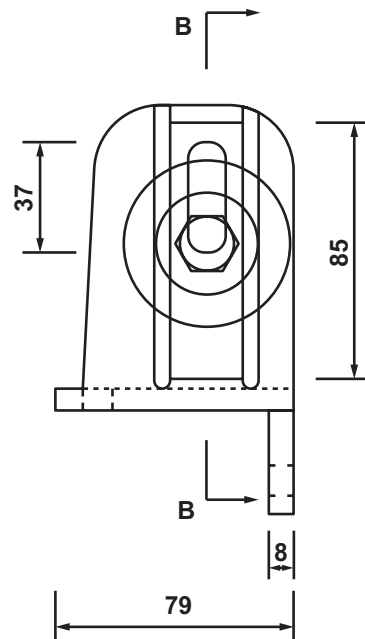
	Code	Description	Material
A	SC4-050	Universal hanging roller assembly with 50mm wheel. Designed to suit J track sliding door track.	Aluminium body. Nylon wheel.
B	W18	Small hanging roller assembly with 50mm wheel. Suits commercial track.	Stainless steel body. Delrin wheel.



A



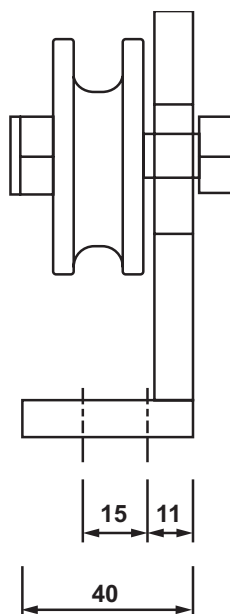
B



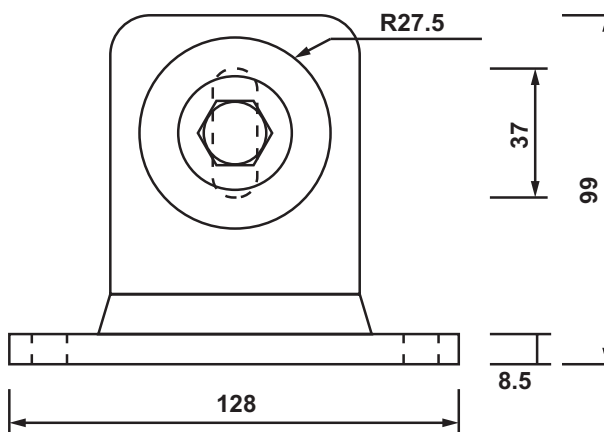
	Code	Description	Material	Colour
A	A150GRH	Right hand small hanging roller assembly, 55mm Delrin wheel	High pressure aluminium die-cast. Zinc plated components.	Grey
	A150GLH	Left hand small hanging roller assembly, 55mm Delrin wheel	High pressure aluminium die-cast. Zinc plated components.	Grey
B	A150WRH	Right hand small hanging roller assembly, 55mm Delrin wheel	High pressure aluminium die-cast. Zinc plated component.	White
	A150WLH	Left hand small hanging roller assembly, 55mm Delrin wheel	High pressure aluminium die-cast. Zinc plated components.	White







A



B

	Code	Description	Material
A	A110G	Small hanging roller assembly grey, 55mm Delrin wheel	High pressure aluminum die-cast.
B	A110W	Small hanging roller assembly white, 55mm Delrin wheel	High pressure aluminum die-cast.



A



B

	Code	Description	Material
A	CRH-SSHB70X	CRH hanging bracket, axle and wheel assembly, including fasteners. Suitable for use with the CRH Eco Glide track.	Nylon Stainless steel
B	CRH-SSHB110X	CRH hanging bracket, axle and wheel assembly, including fasteners. Suitable for use with the CRH Eco Glide track.	Nylon Stainless steel



	Code	Description	Material	Colour
A	F6647803G	Fermod F2130 trolley assembly, left hand. Suits all Fermod F2130 Series/systems.	Aluminium and nylon	Black
B	F6647803D	Fermod F2130 trolley assembly, right hand. Suits all Fermod F2100 Series/systems.	Aluminium and nylon	Black
C	F6602095G	Fermod F2150 trolley assembly, left hand.	Aluminium and nylon	Grey
D	F6602095D	Fermod F2150 trolley assembly, right hand.	Aluminium and nylon	Grey

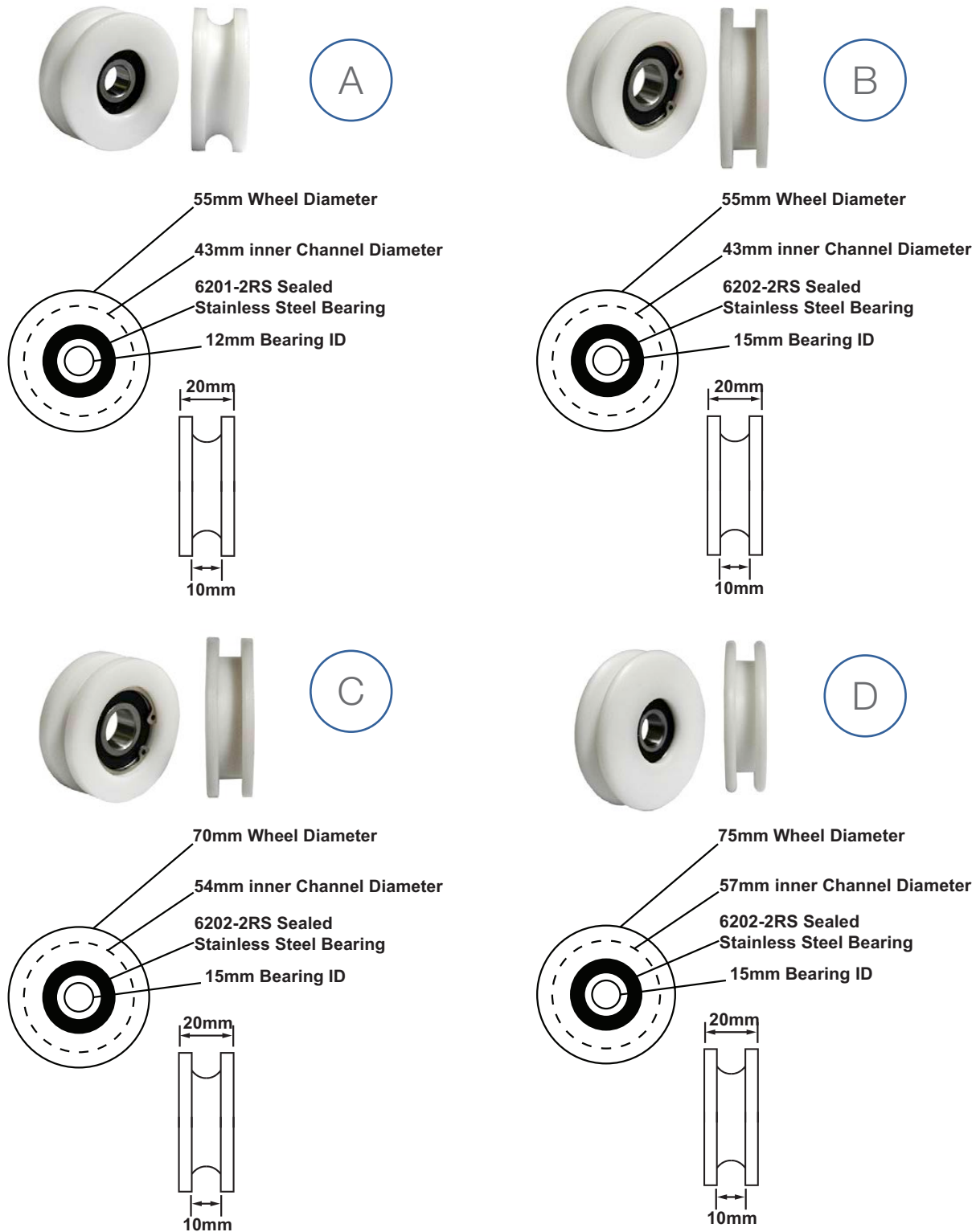


A



B

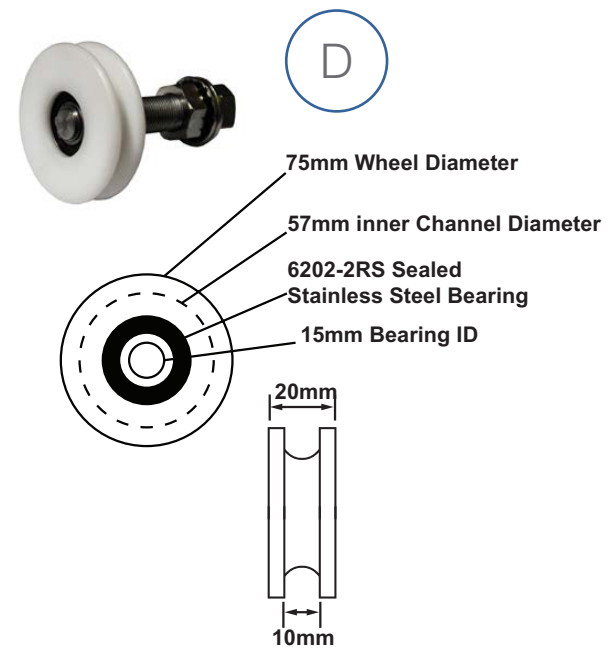
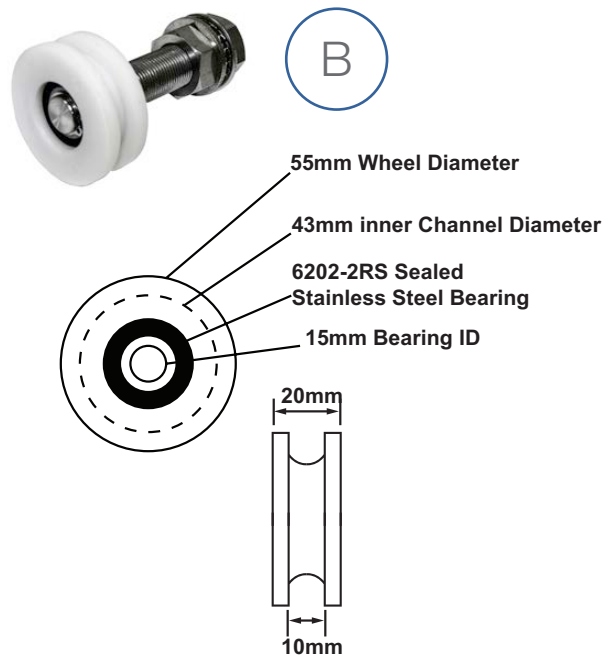
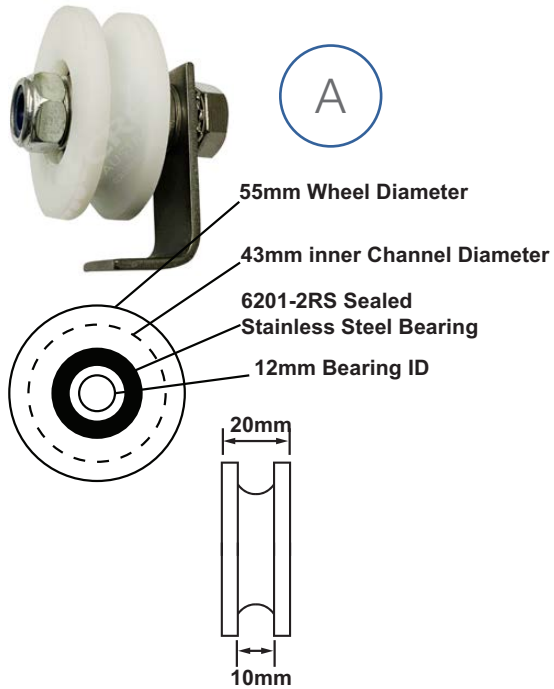
	Code	Description	Material	Colour
A	A121AW	CRH Locking Plate - Surfmist White. This is a spare part for the A120 Series sliding door roller brackets. They lock the axle in place after adjustment to ensure the door does not slip.	Aluminum	White
B	A121A	CRH Locking Plate - Mill Finish Grey. This is a spare part for the A120 Series sliding door roller brackets. They lock the axle in place after adjustment to ensure the door does not slip.	Aluminum	Grey



	Code	Description	Material
A	A113X	55mm Delrin wheel, bearing and circlip. 12mm bearing ID. Designed for use on J Track due to the U- Shaped running profile.	Delrin.
B	A114X	55mm 'square profile' Delrin wheel, bearing and circlip. 15mm bearing ID.	Delrin.
	A114BX	55mm 'square profile' Delrin wheel, bearing and circlip. 12mm bearing ID.	Delrin.
C	A115X	70mm 'square profile' Delrin wheel, bearing and circlip. 15mm bearing ID.	Delrin.
D	A127X	75mm 'square profile' Delrin wheel, bearing and circlip. 15mm bearing ID.	Delrin.

# SLIDING DOOR HARDWARE

## Wheel & Axle Assemblies



Code	Description	Material
A A117	CRH 55mm U profile wheel and M12 axle assembly, with anti jump bracket. Compatible with the following CRH brackets; A111G, A111W, A151GLH, A151GRH, A151WLH, A151WRH	Delrin wheel, zinc plated components.
B A119	CRH 55mm Square profile wheel and 3/4 UNF S/S axle assembly. Suits CRH A120 bracket assembly and D TRACK aluminium rail.	Delrin wheel, stainless steel components.
C A118X	CRH 70mm square profile wheel and S/S axle assembly. Suits CRH A12 bracket assembly and D TRACK aluminium rail.	Delrin wheel, stainless steel components.
D A129	CRH 75mm square profile wheel and S/S axle assembly. 100mm x M20 stainless steel axle, stainless steel nuts and washers, Delrin wheel. Forms part of the A120 Series hanging roller assemblies and is compatible with the following CRH brackets; A121GLHS, A121GRHS, A121WLHS, A121WRHS	Delrin wheel, stainless steel.



A



B

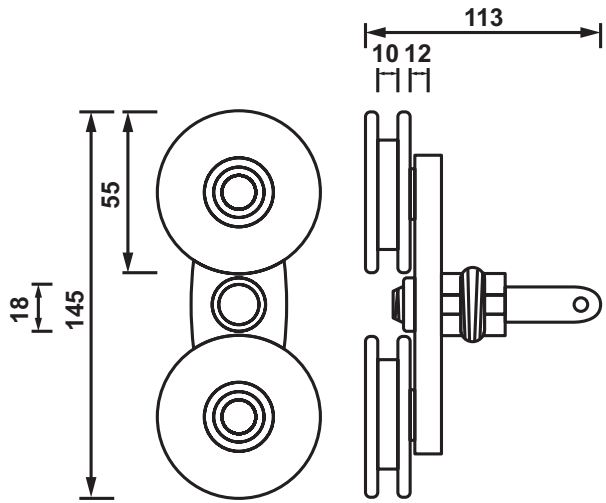


C

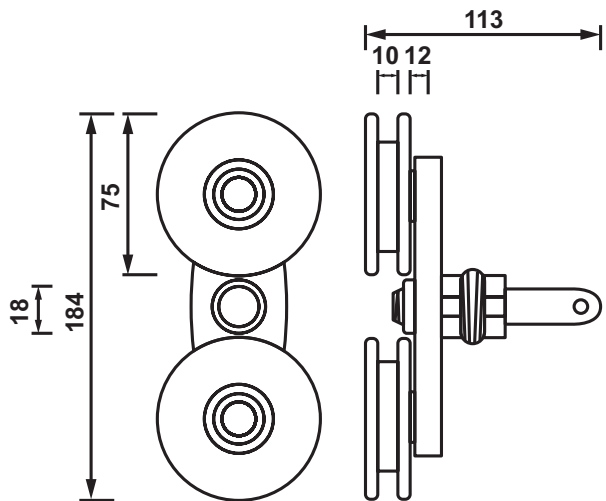
	Code	Description	Material	Colour
A	SC4-051	50mm 'U Profile' wheel complete with axle assembly. Suits SC4-050.	Nylon	White
B	W21	Eccentric 'U Profile' wheel assembly 50mm.	Stainless steel axle Delrin wheel.	White
C	X-140AWC	CRH axle and wheel assembly for Eco Glide track.	Delrin wheel, stainless steel axle assembly.	



A

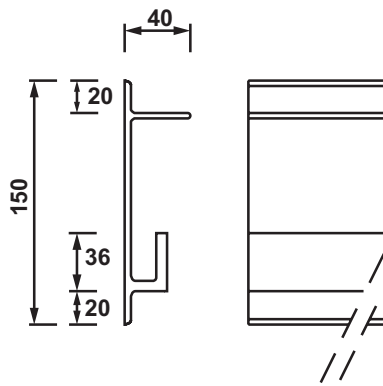


B

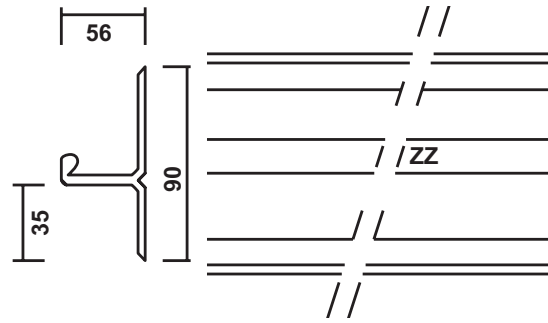


	Code	Description	Material	Colour
A	A134G-55	CRH Double wheel bogey arm assembly with 55mm 'square profile' wheels. To suit D Track.	HP die-cast aluminium. SS fittings, Delrin wheel.	Grey
	A134W-55	CRH Double wheel bogey arm assembly with 55mm 'square profile' wheels. To suit D Track.		White
	A134G	CRH Double wheel bogey arm assembly with 75mm 'square profile' wheels. To suit D Track.		Grey
B	A134W	CRH Double wheel bogey arm assembly with 75mm 'square profile' wheels. To suit D Track.		White

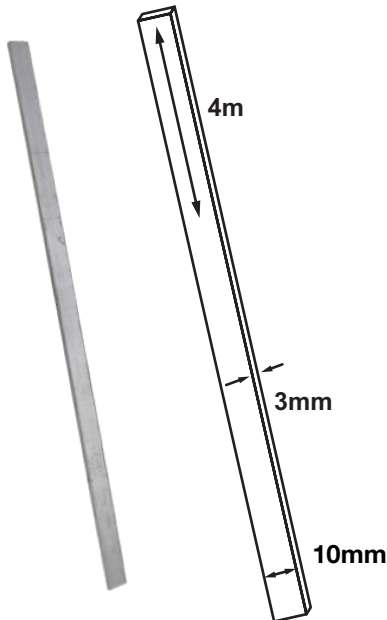




A



B

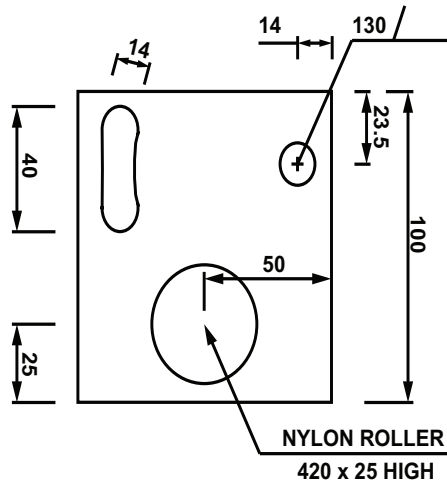


C

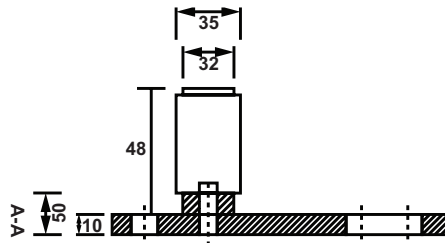


D

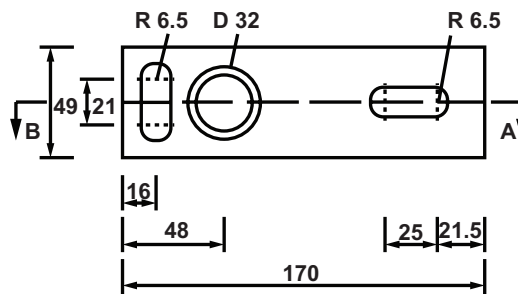
	Code	Description	Material
A	DTRACK325	Sliding door track. Suitable for A120 and A130 hanging assemblies. 3.25m length.	Aluminium
	DTRACK650	Sliding door track. Suitable for A120 and A130 hanging assemblies. 6.5m length.	Aluminium
B	JTRACK325	Sliding door track. Suitable for A110, A150, SC4-050, W21 hanging assemblies. 3.25m length.	Aluminium
	JTRACK650	Sliding door track. Suitable for A110, A150, SC4-050, W21 hanging assemblies. 6.5m length.	Aluminium
C	AFB10	Aluminium flat bar 10mm x 3mm x 4m Gasket fixing strip.	Aluminium
D	CRH-SSTP2.5	Eco Glide Sliding door track profile, 2500mm length.	Aluminium, powder-coated white.
	CRH-SSTP3.5	Eco Glide Sliding door track profile, 3500mm length.	Aluminium, powder-coated white.



A



B

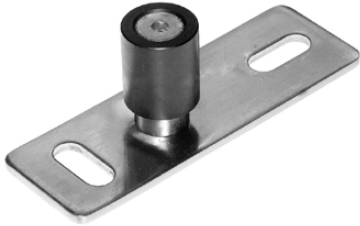
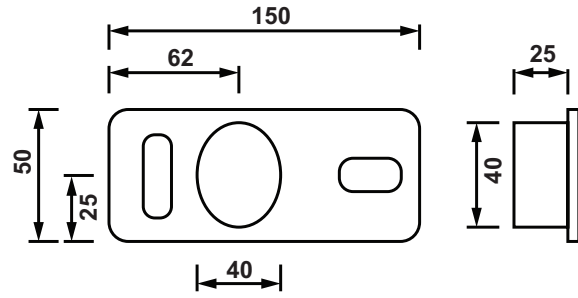


C

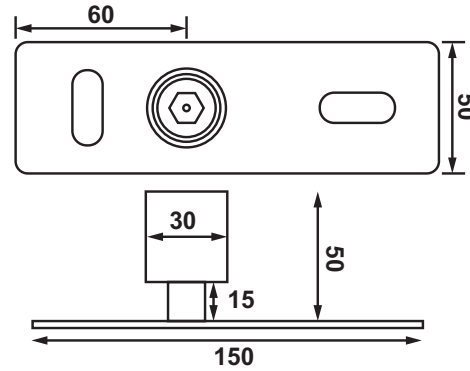
	Code	Description	Material
A	A260	CRH square floor guide. 40mm diameter roller.	Stainless steel base. Nylon roller.
B	A280G	CRH H type floor guide. 32mm diameter roller. Grey.	High pressure die-cast aluminium. Nylon roller.
C	A280W	CRH H type floor guide. 32mm diameter roller. White.	High pressure die-cast aluminium. Nylon roller.



A



B

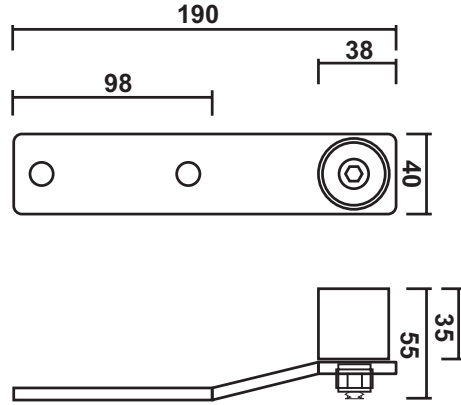


C

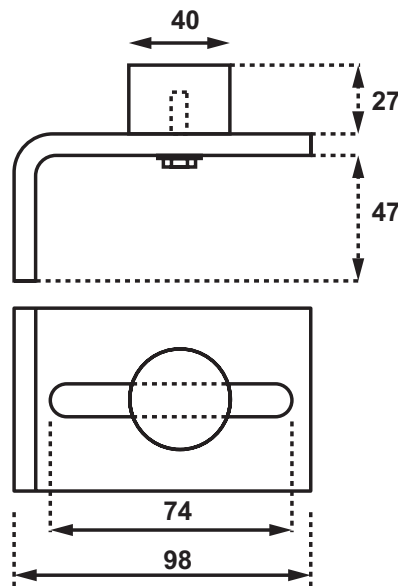


D

	Code	Description	Material
A	G02	Silless floor guide, slot type adjustment. 150mm x 50mm. Roller 40mm diameter, overall height 30mm.	Stainless steel.
B	G03	Silless floor guide, slot type adjustment. 150mm x 50mm. Roller 30mm diameter, overall height 55mm.	Stainless steel.
C	G02 E	Silless floor guide, slot type adjustment. 150mm x 50mm. Roller 40mm diameter, overall height 30mm.	Stainless steel.
D	G03 E	Silless floor guide, slot type adjustment. 150mm x 50mm. Roller 40mm diameter, overall height 30mm.	Stainless steel.

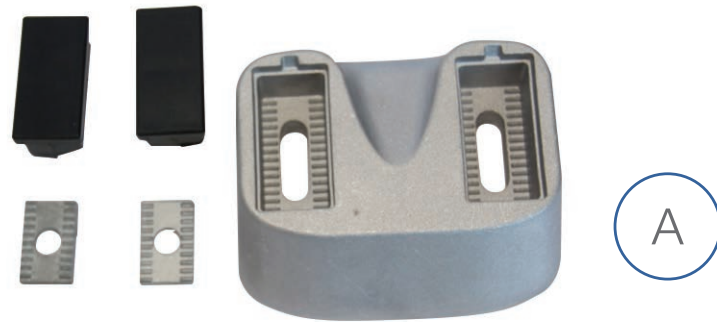


A

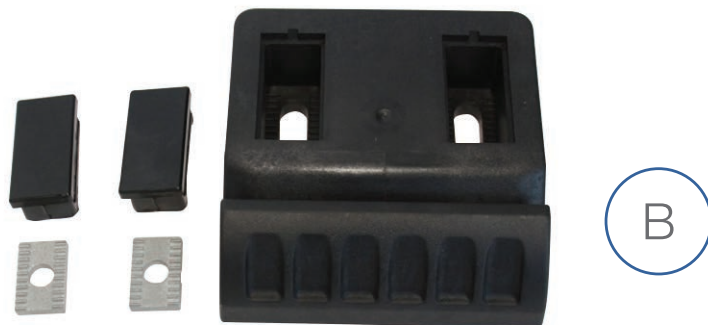


B

	Code	Description	Material
A	G09	Silless floor guide, offset, 190mm x 40mm. Roller 35mm diameter x 30mm high.	304 stainless steel, nylon.
B	G05	Stainless steel wall mounted door guide, 40mm black nylon roller with 65mm adjustment range.	304 stainless steel.



A



B

	Code	Description	Material
A	CRH-SSFFGK	Front floor guide for Eco Glide door systems with 2 adjustment plates and nylon covers.	Pressure die-cast aluminium body
B	CRH-SSRFGK	Rear floor guide for Eco Glide door systems with 2 adjustment plates and nylon covers.	Nylon body.

For use with CRH-SSFGR Floor Guide Rail.



	Code	Description	Material
A	F6180807	Fermod opening guide (F2130). Colour: grey	Composite
B	F6180808	Fermod closing guide (F2130)	Zinc alloy
C	F6177908	Fermod closing floor guide (2150)	Zinc alloy
D	F61778	Fermod opening floor guide (2150)	Composite



A

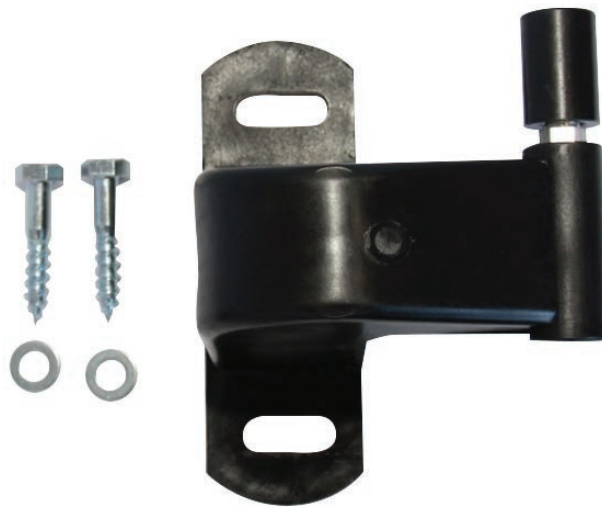


B

	Code	Description	Material
A	F6013611	Fermod track stop - right hand	Rubber
B	F6013711	Fermod track stop - left hand	Rubber



A



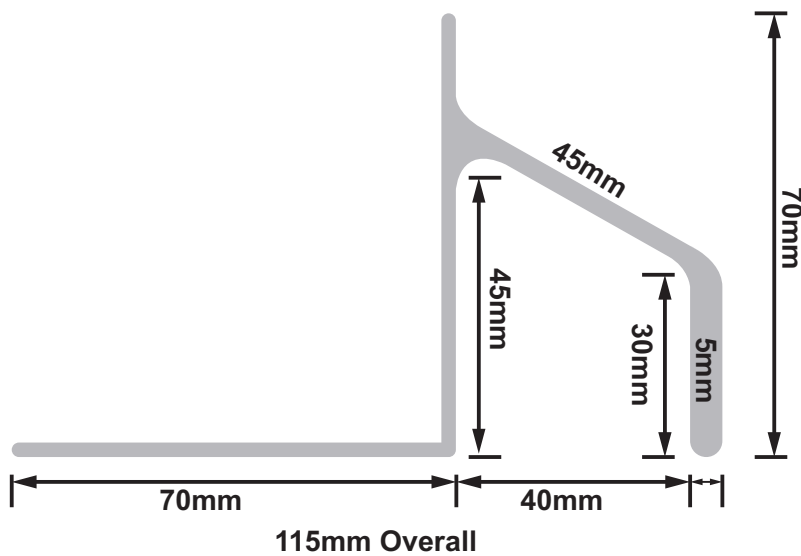
B

	Code	Description	Material
A	W15071K	Wall guide bracket that allows the door to 'drop in' to the door frame. Includes screw fasteners.	Composite
B	CRH-SKA-09K	Wall guide register which runs inside the wall guide rail profile. Interchangeable left and right handed. Includes the main body, a 5mm packer that may be used for door adjustment and recommended fasteners.	Composite





A

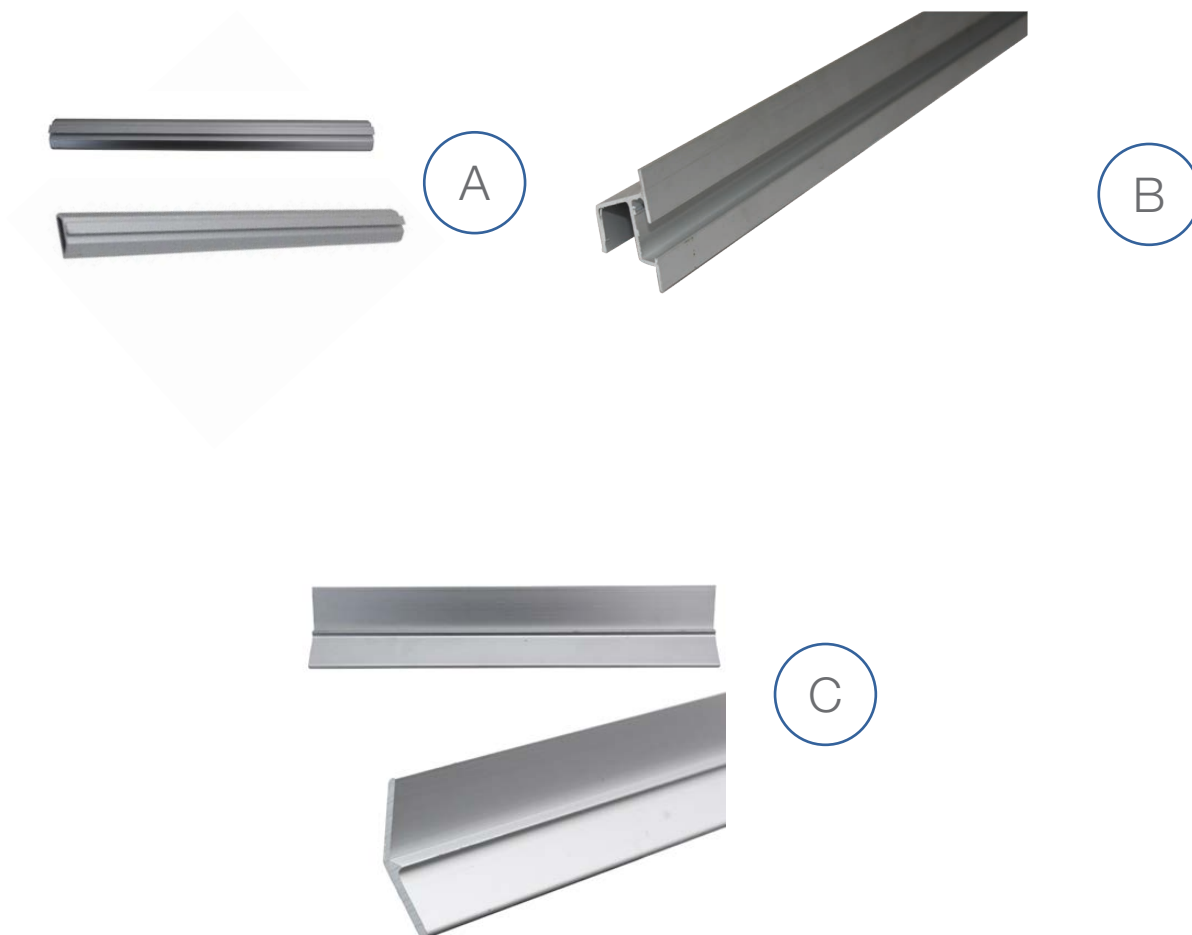


B

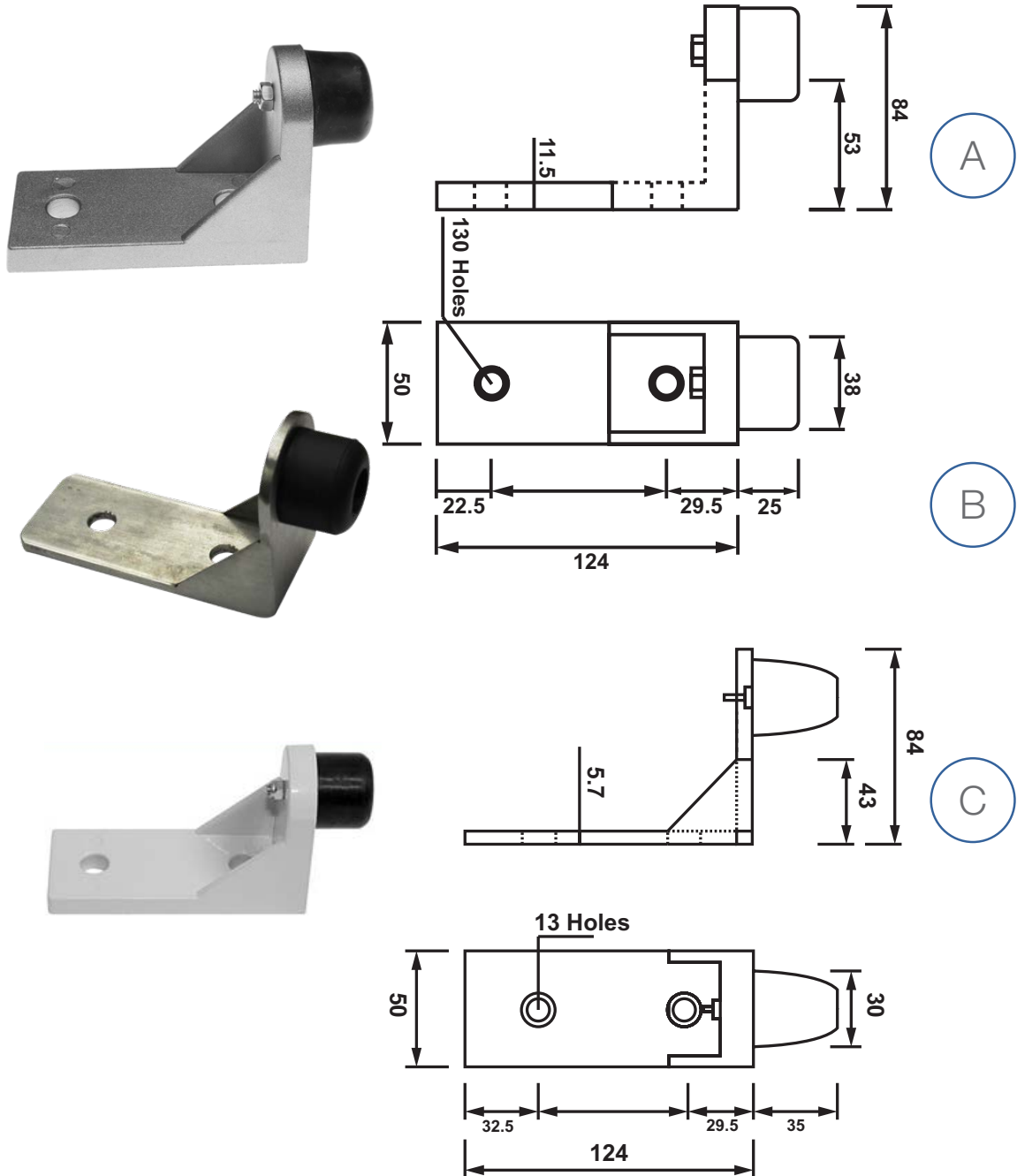
	Code	Description	Material
A	F61821	The Fermod F7540 Closing Guide set contains the door edge mounted cone and wall or frame mounted locator with buttons to conceal fixing bolts. These items firmly hold the bottom of the insulated panel sliding door into the frame to ensure a good seal in the closed position.	Composite
B	DG9016SM325	Door guide rail "H" type front mount 115mm x 70mm x 3.25m, 40mm channel, Surfmist finish.	Aluminium
	DG9016SM650	Door guide rail "H" type front mount 115mm x 70mm x 6.5m, 40mm channel, Surfmist finish.	Aluminium



Code	Description	Material
F1157391/47	Fermod F7540 Series wall guide rail. Designed for application where a 37mm - 47mm thick door frame is used.	Aluminium
F1157391/36	Fermod F7540 Series wall guide rail. Designed for application where a 26mm - 36mm thick door frame is used. 5400mm Aluminium profile only.	Aluminium
F1157391/25	Fermod F7540 Series wall guide rail. Designed for application where a 15mm - 25mm thick door frame is used. 5400mm Aluminium profile only.	Aluminium

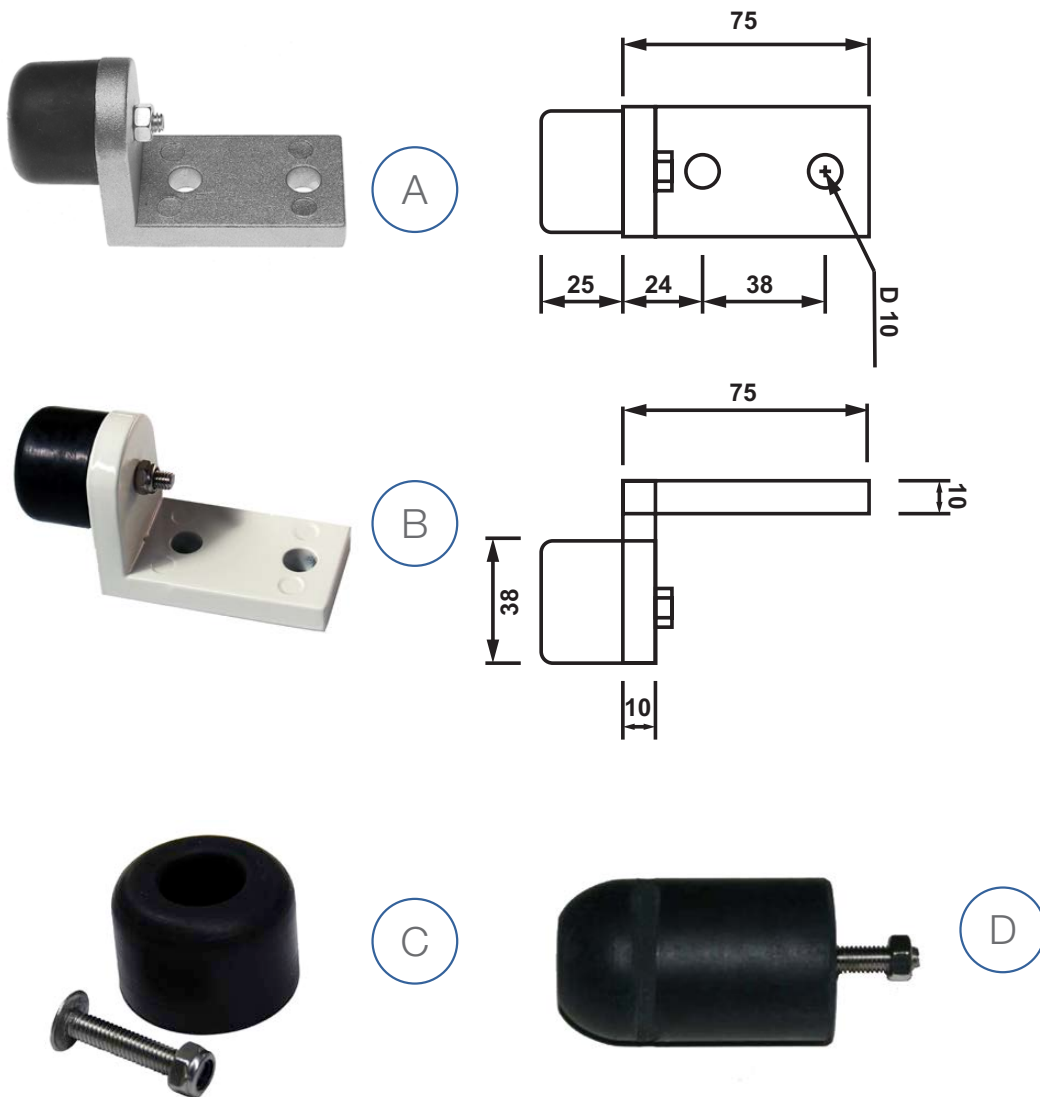


	Code	Description	Material
A	CRH-SSRRP2.5	CRH Running rail profile. This component slides into the CRH-SSTP track profile, 2500mm length.	Aluminium
	CRH-SSRRP3.5	CRH Running rail profile. This component slides into the CRH-SSTP track profile, 3500mm length.	Aluminium
B	WWGTP1.5	Wall Guide track profile, 1500mm length.	Aluminium
	WWGTP2	Wall Guide track profile, 2000mm length.	Aluminium
	WWGTP2.5	Wall Guide track profile, 2500mm length.	Aluminium
C	CRH-SSFGRK1.5	CRH Floor guide rail profile with rivet fasteners 1500mm length. For use with Fermod and Ecoglide floor guided systems.	Aluminium
	CRH-SSFGRK2	CRH Floor guide rail profile with rivet fasteners 2000mm length. For use with Fermod and Ecoglide floor guided systems.	Aluminium
	CRH-SSFGRK2.5	CRH Floor guide rail profile with rivet fasteners 2500mm length. For use with Fermod and Ecoglide floor guided systems.	Aluminium
	CRH-SSFGRK5	CRH Floor guide rail profile with rivet fasteners 5000mm length. For use with Fermod and Ecoglide floor guided systems.	Aluminium

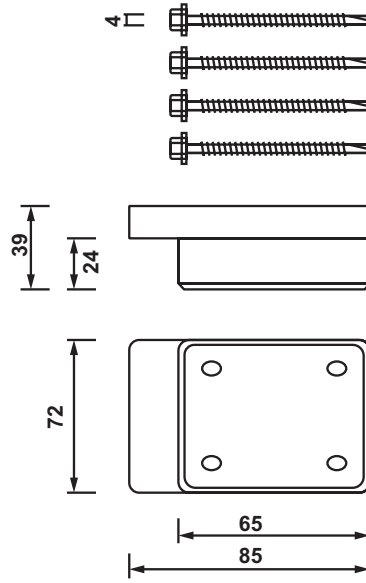
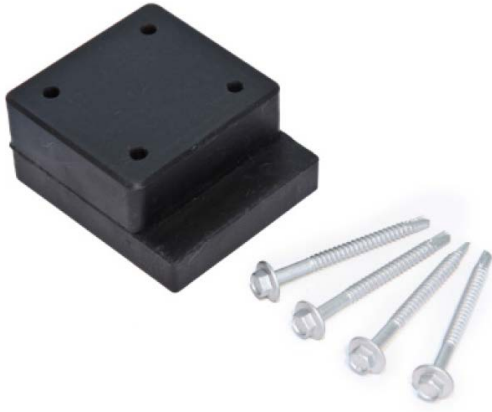


	Code	Description	Material
A	A240G	CRH Large door stop, grey.	High pressure die-cast aluminium. Rubber stop.
B	A240SS	CRH Large door stop.	Stainless steel (304)
C	A240W	CRH Large door stop, surfmist white.	High pressure die-cast aluminium, Rubber stop.

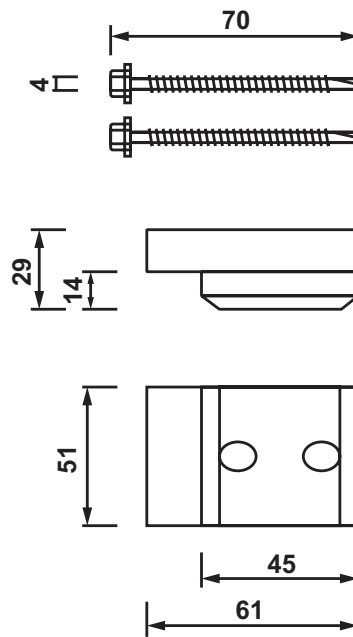




	Code	Description	Material
A	A250G	CRH small door stop. Grey.	High pressure die-cast aluminium. Rubber stop.
B	A250W	CRH small door stop. White.	High pressure die-cast aluminium. Rubber stop.
C	A242A	CRH rubber stop with S/S bolt and loc nut.	Rubber.
D	A242LX	Large rubber stop 38mm diameter x 63mm length, M6 embedded thread with Nyloc nut.	Rubber.

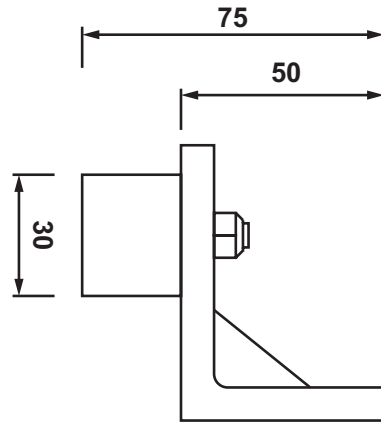


A

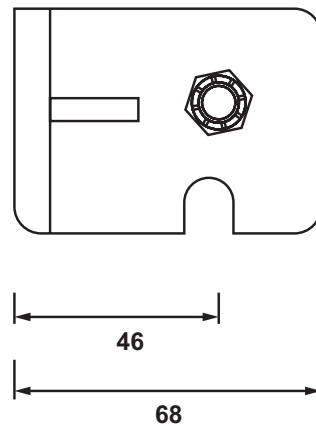


B

	Code	Description
A	S10-I	Block door stop with fasteners - industrial. Suits D track, interchangeable, left or right hand.
B	S10-C	Block door stop with fasteners. Suits Bondor door track, interchangeable, left or right hand.

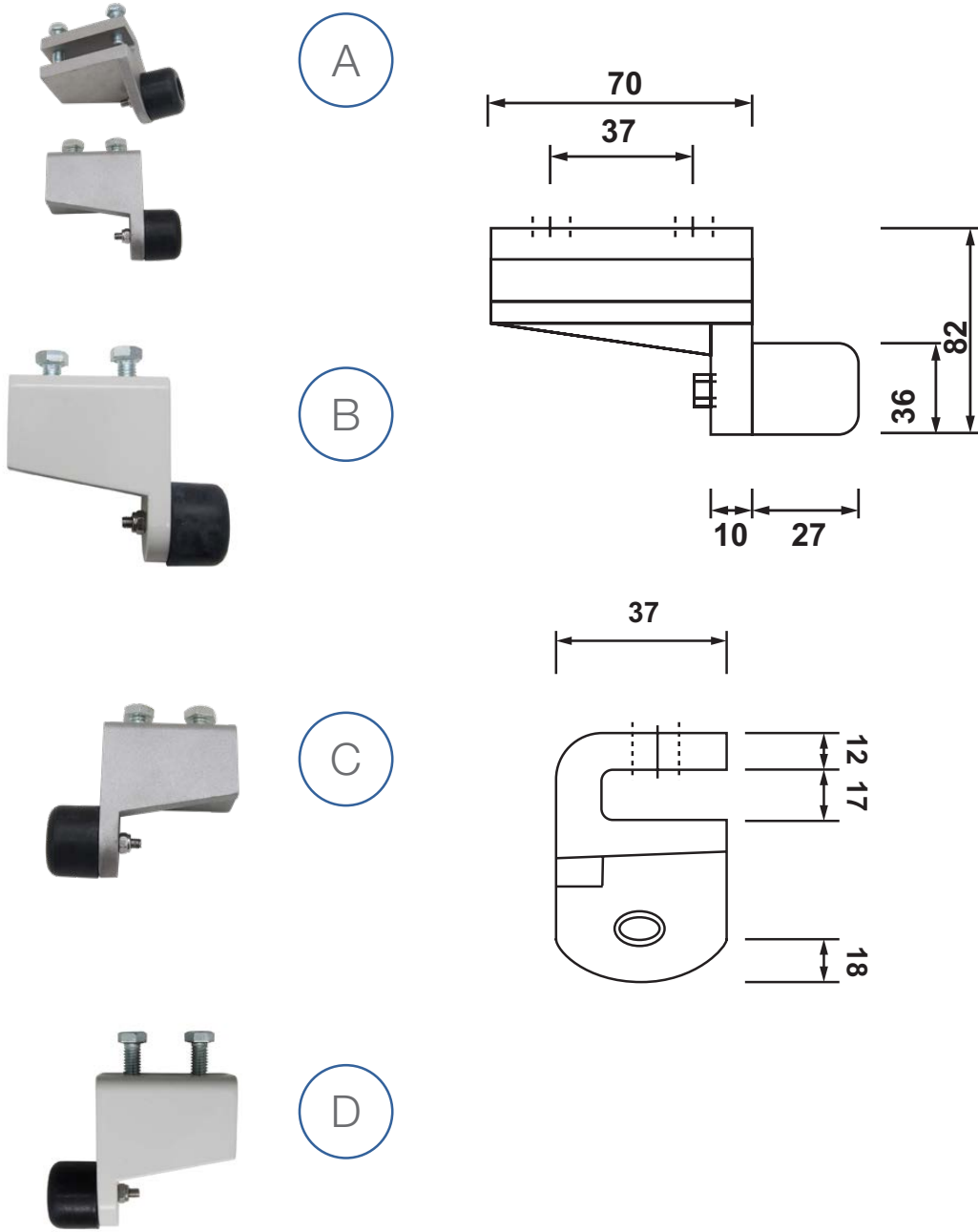


A



B

	Code	Description	Material
A	S01LH	Left hand J track mounted door stop.	Die-cast aluminium.
B	S01RH	Right hand J track mounted door stop.	Die-cast aluminium.



	Code	Description	Material
A	A225GLH	Left hand inline adjustable track mounted stop. Grey.	High pressure die-cast aluminium. Rubber stop.
B	A225WLH	Left hand inline adjustable track mounted stop. White.	High pressure die-cast aluminium. Rubber stop.
C	A225GRH	Right hand inline adjustable track mounted stop. Grey.	High pressure die-cast aluminium. Rubber stop.
D	A225WRH	Right hand inline adjustable track mounted stop. White.	High pressure die-cast aluminium. Rubber stop.





A



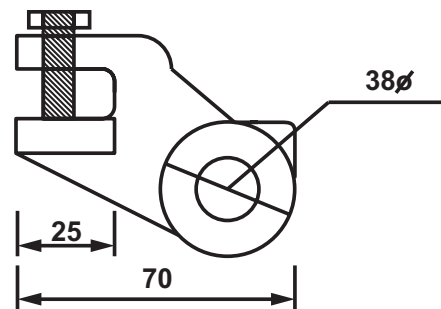
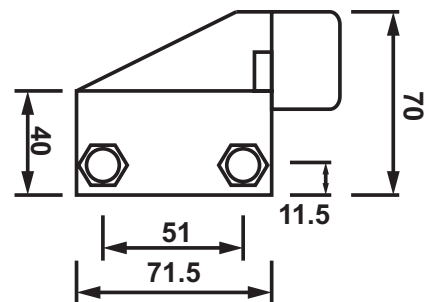
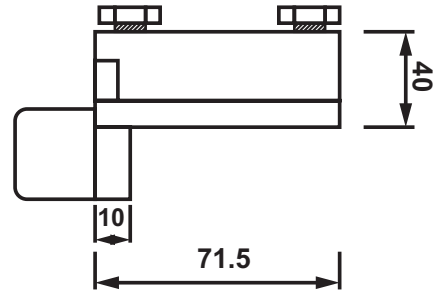
B



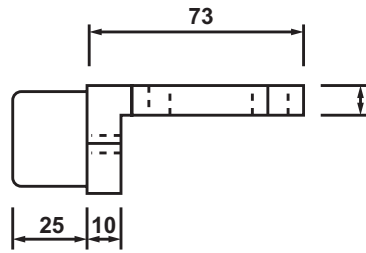
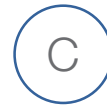
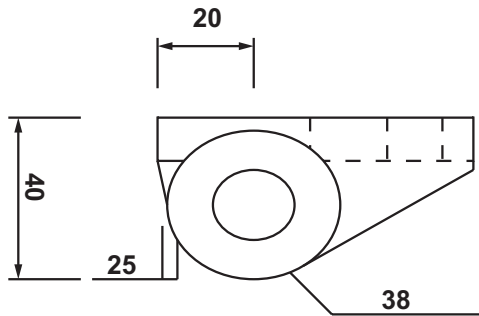
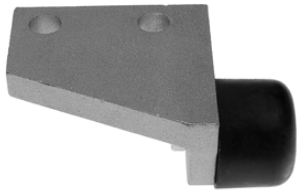
C



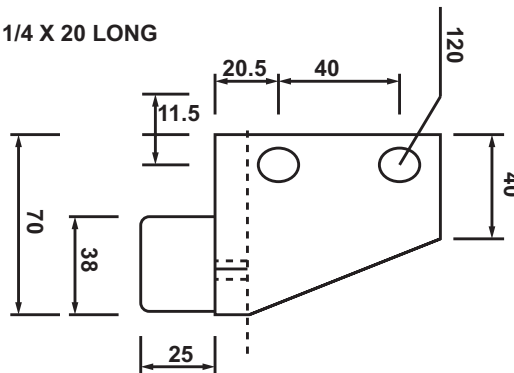
D



	Code	Description	Material
A	A220GLH	Left hand offset adjustable track mounted stop. Grey.	High pressure die-cast aluminium. Rubber stop.
B	A220WLH	Left hand offset adjustable track mounted stop. White.	High pressure die-cast aluminium. Rubber stop.
C	A220WRH	Right hand offset adjustable track mounted stop. White.	High pressure die-cast aluminium. Rubber stop.
D	A220GRH	Right hand offset adjustable track mounted stop. Grey.	High Pressure die-cast aluminium. Rubber stop.



BOLT 1/4 X 20 LONG



	Code	Description	Material	Colour
A	A230GLH	CRH fixed offset stop, left hand.	High pressure die-cast aluminium. Rubber stop.	Grey.
B	A230WLH	CRH fixed offset stop, left hand.	High pressure die-cast aluminium. Rubber stop.	White.
C	A230GRH	CRH fixed offset stop, right hand.	High pressure die-cast aluminium.	Grey.
D	A230WRH	CRH fixed offset stop, right hand.	High pressure die-cast aluminium.	White.



Code	Description	Material
S11LH	Thermal track door stop - left hand.	Die-Cast aluminium.
S11RH	Thermal track door stop - right hand.	Die-Cast aluminium.



A



B

	Code	Description	Material
A	A250GL	CRH small door stop with large rubber stopper, grey.	Pressure die-cast aluminium.
B	A250WL	CRH small door stop with large rubber stopper, white.	Pressure die-cast aluminium.





A

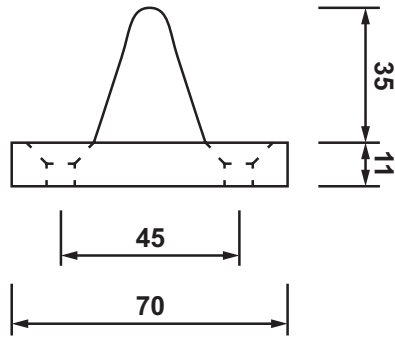


B

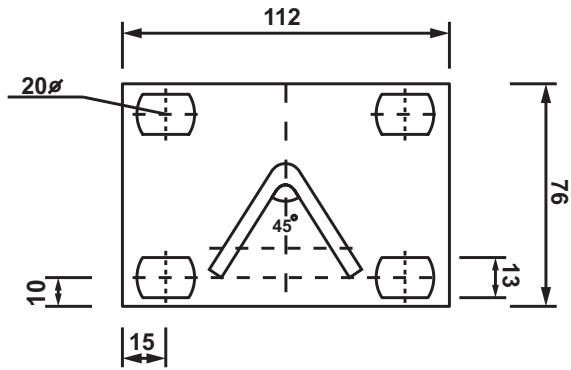
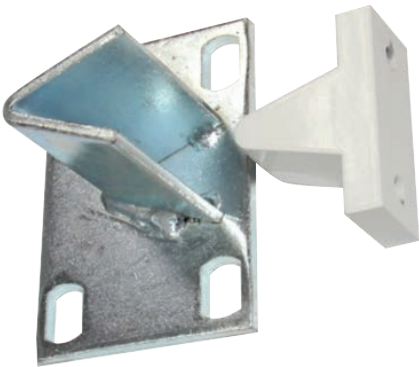


C

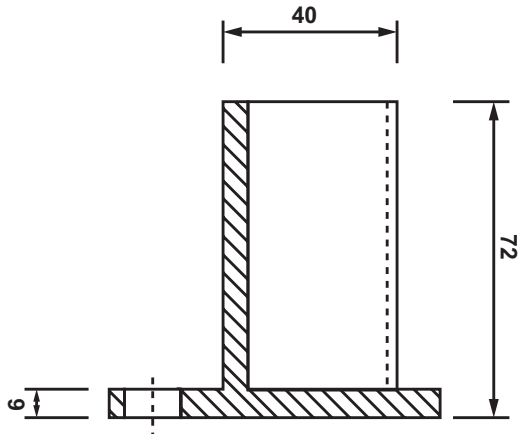
	Code	Description	Material
A	CRH-SSRTS1K	Track mounted door stop kit. Includes Riv nut and metal thread fasteners. Eco Glide.	Aluminium, white.
B	CRH-SSSB1K	Stop and Open bracket kit. Includes Riv nut and metal thread fasteners. Suits Eco Glide.	Aluminium, black.
C	CRH-SSSB2K	Stop and Open bracket kit. Includes Riv nut and metal thread fasteners. Suits Eco Glide.	Aluminium, black.



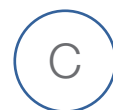
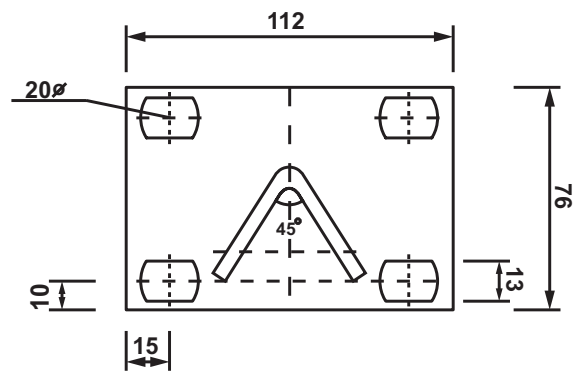
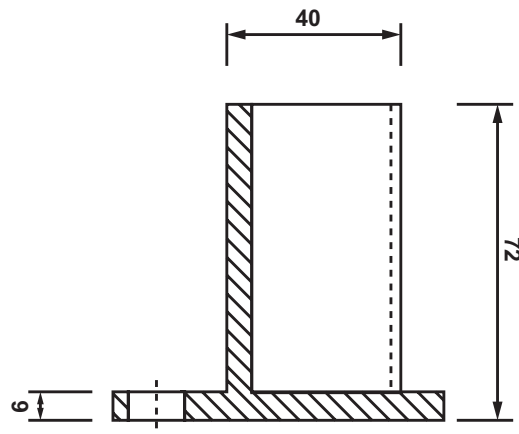
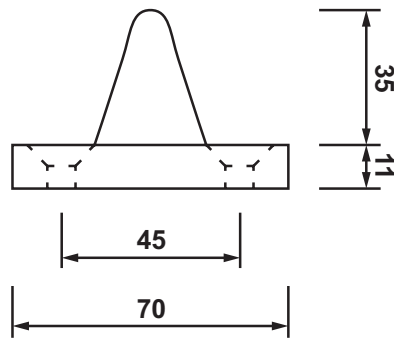
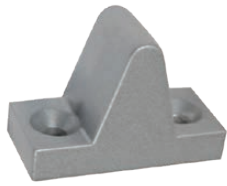
A



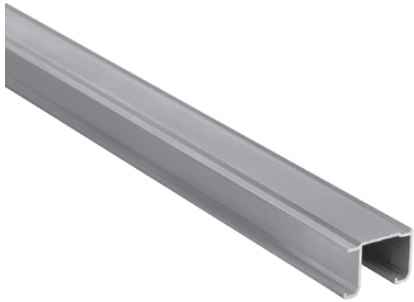
B



	Code	Description	Material	Colour
A	A210G	CRH Cone and locator set.	Cone - High pressure die-cast aluminium. Locator - zinc plated.	Grey.
B	A210W	CRH Cone and locator set.	Cone - High pressure die-cast aluminium. Locator - zinc plated	White.



	Code	Description	Material	Colour
A	A211G	CRH cone casting.	High pressure die-cast aluminium.	Grey.
B	A211W	CRH cone casting.	High pressure die-cast aluminium.	White.
C	A212	CRH Locator.	Zinc plated.	Mill Finish.

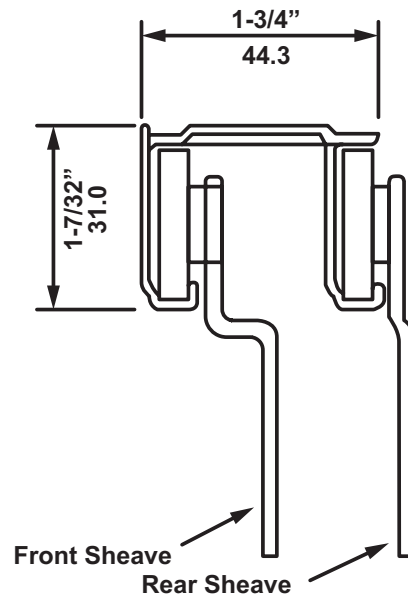


A



B

C



	Code	Description	Material
A	7318-144	Kason overhead sliding door track 3650mm (12ft). For use with Kason 7318 Series hardware suiting a 19mm door blade.	Aluminium.
B	7318-4	Kason 7318 Series front door sheave, steel wheel. Side mounted, zinc plated steel hanger for 19mm door.	Zinc plated.
	7318-6	Kason 7318 Series rear door sheave, steel wheel. Side mounted, zinc plated steel hanger for 19mm door.	Zinc plated.
C	7318-5	Kason 7318 Series front door sheave to suit 19mm door, nylon wheel.	Zinc plated.
	7318-7	Kason 7318 Series rear door sheave to suit 19mm door, nylon wheel.	Zinc plated.

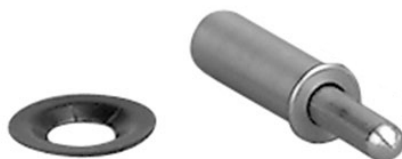




A

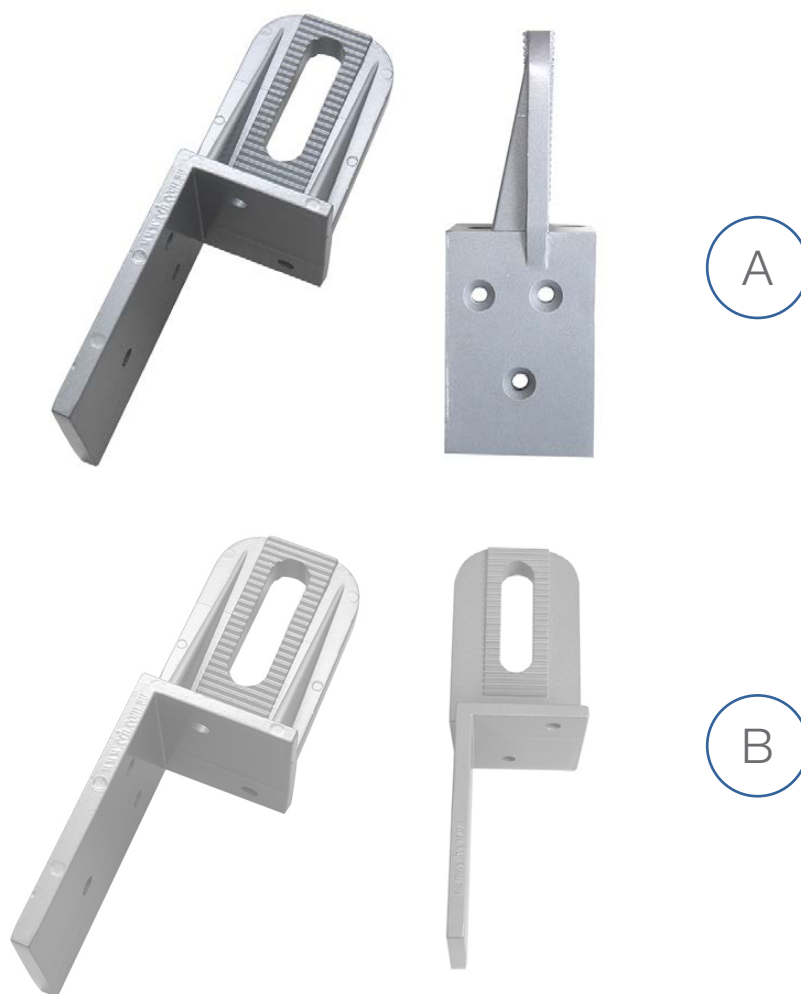


B

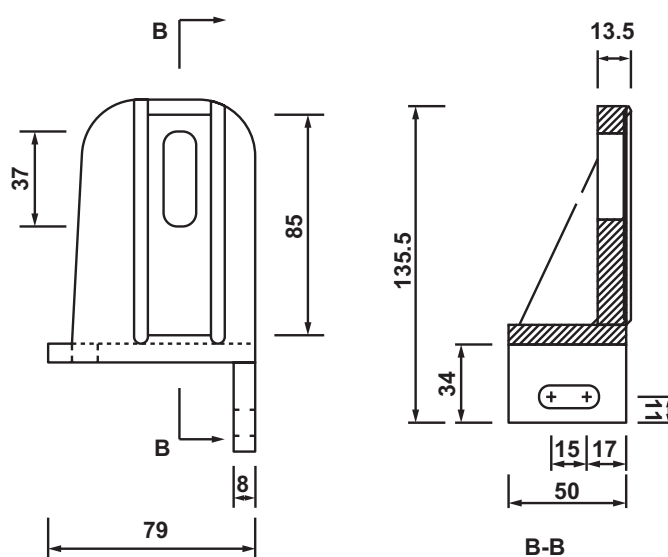


C

	Code	Description	Material
A	7318-9	Kason 7318 Series door stop, 19mm.	Zinc plated steel with rubber bumper.
B	7318-10	Kason 7318 Series door guide for 19mm door.	Nylon
C	7318-11	Kason 7318 Series spring loaded guide pin with speed nuts.	Zinc plated



	Code	Description	Material	Colour
A	A121GLHS	CRH Large hanging roller assembly casting. Left hand. Forms part of the A120 and A130 Series hanging roller assemblies and is compatible with the following wheel and axle assemblies; A118, A119, A129, A134G, A134G-55.	High pressure aluminium die-cast	Grey
	A121GRHS	CRH Large hanging roller assembly casting. Right hand. Forms part of the A120 and A130 Series hanging roller assemblies and is compatible with the following wheel and axle assemblies; A118, A119, A129, A134G, A134G-55.	High pressure aluminium die-cast	Grey
B	A121WLHS	CRH Large hanging roller assembly casting. Left hand. Forms part of the A120 and A130 Series hanging roller assemblies and is compatible with the following wheel and axle assemblies; A118, A119, A129, A134W, A134W-55.	High pressure aluminium die-cast	White
	A121WRHS	CRH Large hanging roller assembly casting. Right hand. Forms part of the A120 and A130 Series hanging roller assemblies and is compatible with the following wheel and axle assemblies; A118, A119, A129, A134W, A134W-55.	High pressure aluminium die-cast	White



	Code	Description	Material	Colour
A	A151GLH	CRH small hanging bracket casting, left hand. Compatible with A117 wheel assembly.	High pressure aluminium die-cast	Grey
	A151GRH	CRH small hanging bracket casting, right hand. Compatible with A117 wheel assembly.	High pressure aluminium die-cast	Grey
B	A151WLH	CRH small hanging bracket casting, left hand. Compatible with A117 wheel assembly.	High pressure aluminium die-cast	White
	A151WRH	CRH small hanging bracket casting, right hand. Compatible with A117 wheel assembly.	High pressure aluminium die-cast	White



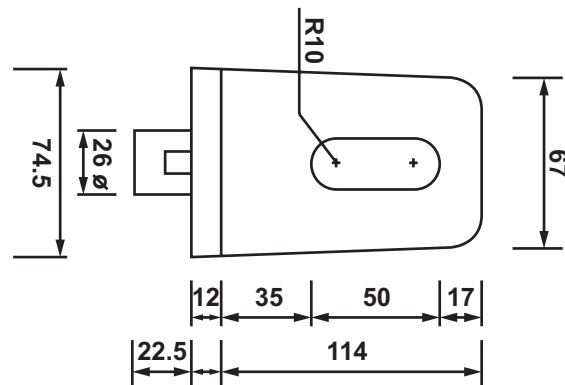
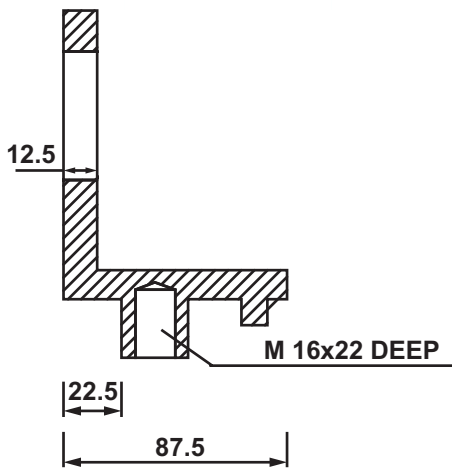
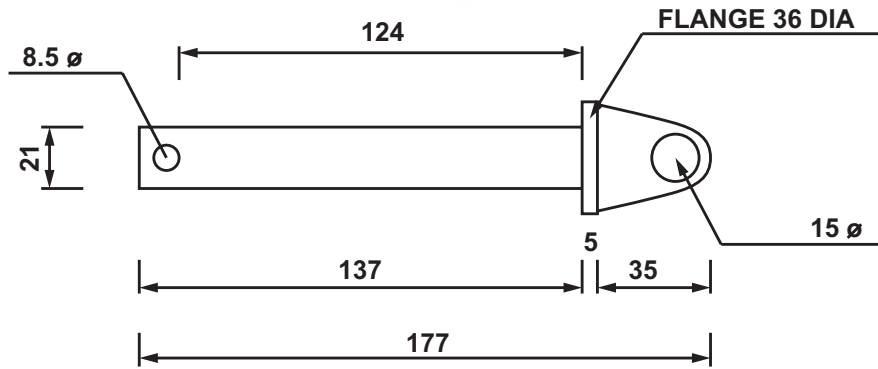
	Code	Description	Material	Colour
A	A111G	CRH small hanging bracket casting for A110G Compatible with A117 wheel assembly.	High pressure aluminium die-cast.	Grey
B	A111W	CRH small hanging bracket casting for A110W. Compatible with A117 wheel assembly.	High pressure aluminium die-cast.	White



	Code	Description	Material
A	H&S	Hasp and staple. Rod 55mm.	Chrome plated.
B	L07-75	Hasp and staple. 75m 5/16" rod to suit 75mm panel.	Chrome plated and brass.
	L07-100	Hasp and staple. 100m 5/16" rod to suit 100mm panel.	Chrome plated and brass.
	L07-150	Hasp and staple. 150m 5/16" rod to suit 150mm panel.	Chrome plated and brass.
	L07-200	Hasp and staple. 200m 5/16" rod to suit 200mm panel.	Chrome plated and brass.



	Code	Description	Material
A	A10W	Sliding door locking system.	High pressure die cast zinc with nylon fixing bolt. White.
B	L15	Door pull handle with locking assembly and inside release.	Stainless steel and nylon.



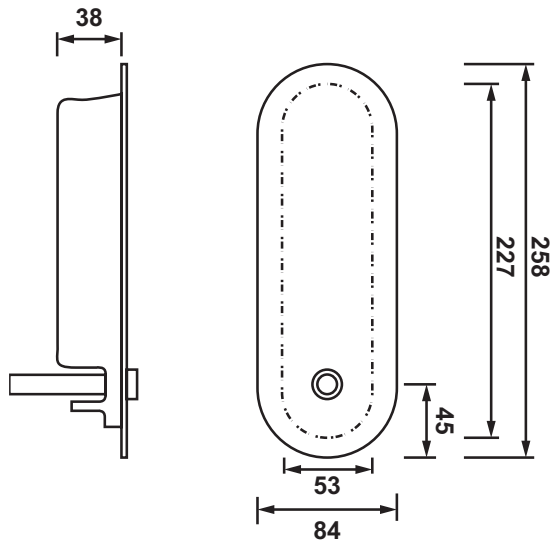
Code	Description	Material	Colour
A A390G	Inside release pin and swivel.	Pressure die cast aluminium.	Grey.
B A390W	Inside release pin and swivel.	Pressure die cast aluminium.	White.
C A310G	Large hasp.	Pressure die cast aluminium.	Grey.
D A310W	Large hasp.	Pressure die cast aluminium.	White.



A



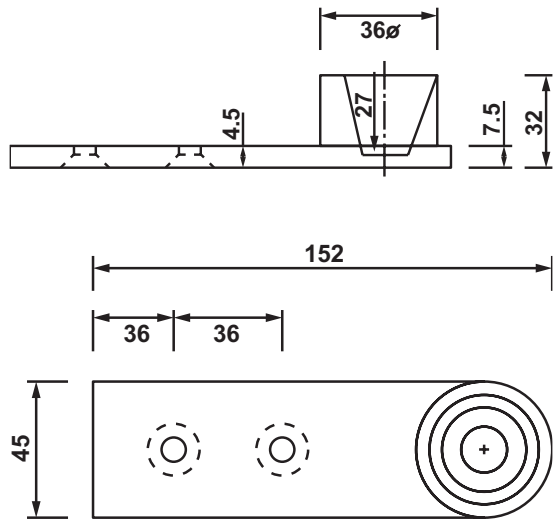
B



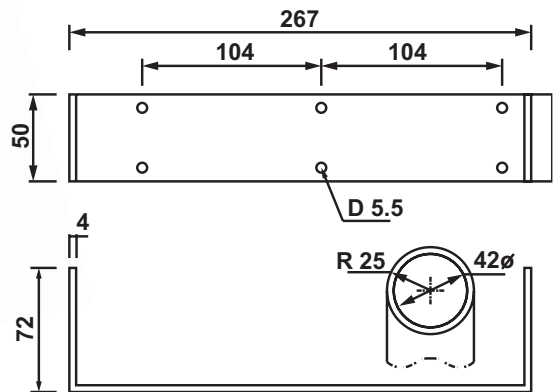
	Code	Description	Material	Colour
	A07G	CRH recessed handle.	High pressure aluminum die cast.	Grey.
A	A07W	CRH recessed handle.	High pressure aluminum die cast.	White.
B	A07WP	CRH recessed handle with unlocking pin - white.	High pressure aluminum die cast.	White.





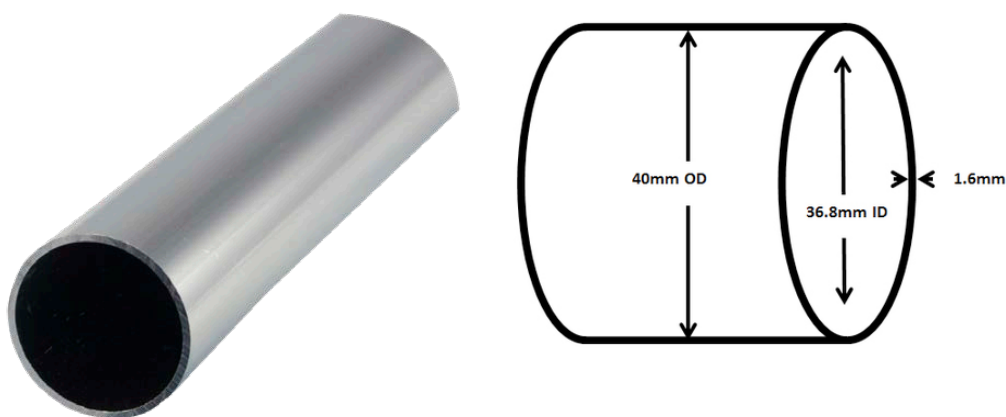


A



B

	Code	Description	Material	Colour
A	A370G	CRH door handle end bracket.	High pressure die-cast aluminum.	Grey
	A370W	CRH door handle end bracket.	High pressure die-cast aluminum.	White.
B	A380G	Tube handle centre bracket.	Aluminium.	Grey
	A380W	Tube handle centre bracket.	Aluminium.	White.



Code	Description	Material	Colour
RBA40-1.25	Aluminium round tube handle. 40mm diameter with 1.6mm wall thickness. 1.25m length.	Aluminium	Mill
RBA40-2.1	Aluminium round tube handle. 40mm diameter with 1.6mm wall thickness. 2.1m length.	Aluminium	Mill
RBA40-3.25	Aluminium round tube handle. 40mm diameter with 1.6mm wall thickness. 3.25m length.	Aluminium	Mill
RBA40-6.5	Aluminium round tube handle. 40mm diameter with 1.6mm wall thickness. 6.5m length.	Aluminium	Mill
RBWH40-1.25	Aluminium round tube handle. 40mm diameter with 1.6mm wall thickness. 1.25m length.	Aluminium	Surfmist White
RBWH40-2.1	Aluminium Round Tube Handle, 40mm Dia with 1.6mm Wall Thickness. 2.1m length	Aluminium	Surfmist White
RBWH40-3.25	Aluminium round tube handle. 40mm diameter with 1.6mm wall thickness. 3.25m length.	Aluminium	Surfmist White
RBWH40-6.5	Aluminium round tube handle. 40mm diameter with 1.6mm wall thickness. 6.5m length.	Aluminium	Surfmist White



A



B



C



	Code	Description	Material
A	CRH-SKA-11	Cool room door handle. Drilled for 6.5mm screws.	Nylon and stainless steel.
B	CRH-SKA-28	Nylon oval recessed handle. 30mm recess depth, oval cut-out size approximately 210mm x 175mm (guide only).	Nylon.
C	CRH-SKA-17K	External Lever handle strike including fasteners, black.	Composite.



A



B

	Code	Description	Overall Size	Cut Out Size	Material
A	SDHI BLACK	Recessed sliding door handle.	120mm x 220mm	78mm x 178mm x 42mm	Black nylon.
B	SDHI WHITE	Recessed sliding door handle.	120mm x 220mm	78mm x 178mm x 42mm	White nylon.





	Code	Description	Material
A	F8730-115/160	Fermod external lever handle. 115 - 160mm door thickness including gasket.	PVC and aluminium.
	F8730-70/115	Fermod external lever handle. 70 - 115mm door thickness including gasket.	PVC and aluminium.
B	F8730-115/160K	Fermod external lever handle kit, for 115mm -160mm door thickness including gasket, 15mm strike packer and wall fastening kit.	PVC and aluminium..
	F8730-70/115K	Fermod external lever handle kit, for 70mm-115mm door thickness including gasket, 15mm strike packer and wall fastening kit.	PVC and aluminium.
C	F8530	Fermod spring-loaded internal lever handle with No:16162BL recessed pocket and frame strike.	Aluminium and composite.
D	F61889EMB	Fermod F8530 internal lever handle strike.	



A



B



C



D

	Code	Description	Material	Colour
A	H01X	CRH tubular pull handle. 100mm x 300mm x 2mm. Fixing plate with 19mm OD x 200mm tubular handle.	Stainless steel (304)	No. 4 Polish
B	H02X	CRH tubular PULL handle and PUSH plate. Pull handle - 100mm x 300mm x 2mm. Fixing plate with 19mm OD x 200mm tubular handle. Push plate - 100mm x 300mm x 2mm.	Stainless steel (304)	No. 4 Polish
C	A07-FSG	Colour-coded food safe pocket door handle kit to help prevent food cross-contamination in commercial kitchens. Includes powder-coated fixing rivets.	High pressure aluminum die-cast.	Green
D	A07-FSR	Colour-coded food safe pocket door handle kit to help prevent food cross-contamination in commercial kitchens. Includes powder-coated fixing rivets.	High pressure aluminum die-cast.	Red

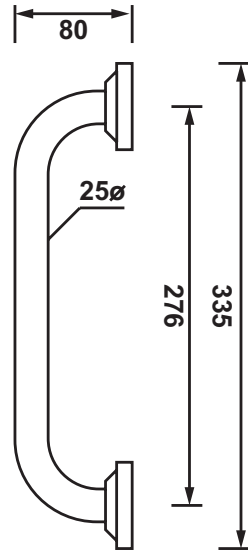


A

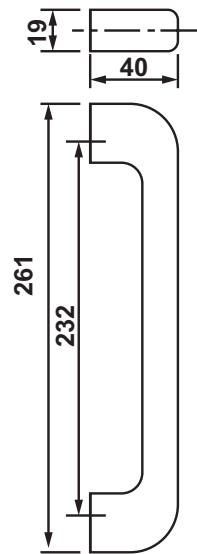


B

	Code	Description	Material
A	F2420	Fermod external sliding door handle.	Stainless steel and PVC.
B	F8520	Fermod 8520 recessed pocket with aluminium handle.	PVC and aluminium.



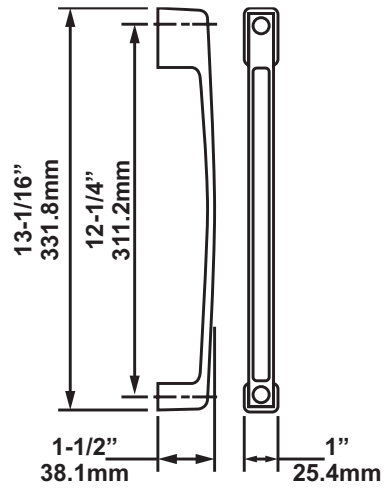
A



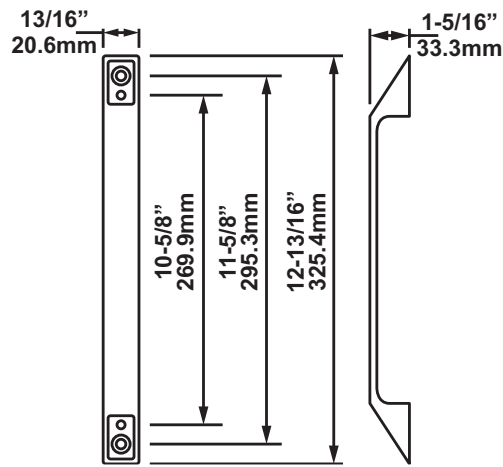
B

	Code	Description	Material
A	RH260	Stainless steel 25mm tubular handle, 260mm centres. Front fixing with cover plate.	Stainless steel (304), chrome plate.
B	E222	Chrome plated Zamak Handle with black ABS front cover, 261mm with 232mm hole centres. Front mounting.	Zamak and Plastic

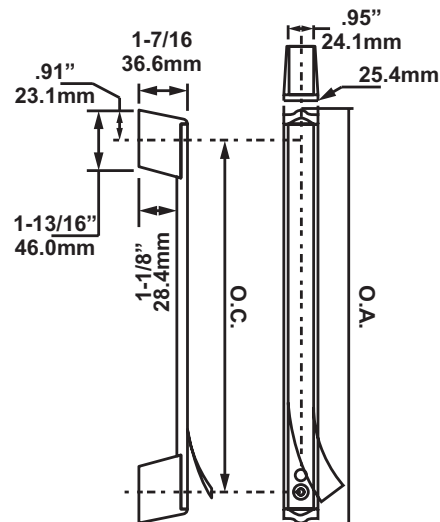




A

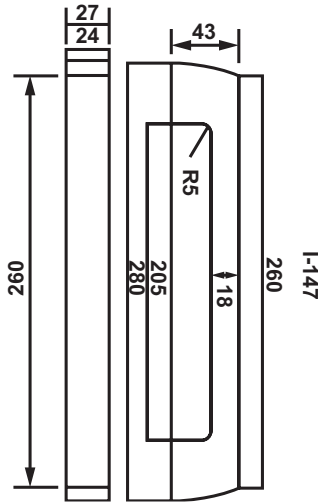


B

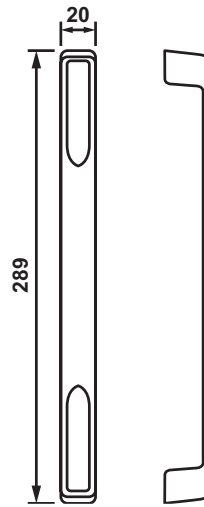


C

	Code	Description	Material	Mounting
A	K91104	Chrome decorator handle, 332mm.	Pressure die-cast zinc, chrome plated.	Rear mount holes tapped for 1/4" screws, front mounting holes tapped for 5mm screws. Chrome button covers hide front fixing holes.
B	K912-4	Sculptured handle chrome plate, 325mm.	Pressure die-cast zinc, chrome plated.	Front or rear tapped for 1/4" screws.
C	K915-55	Decorated handle, 327mm.	Aluminum and nylon.	Dual mount.



A



B

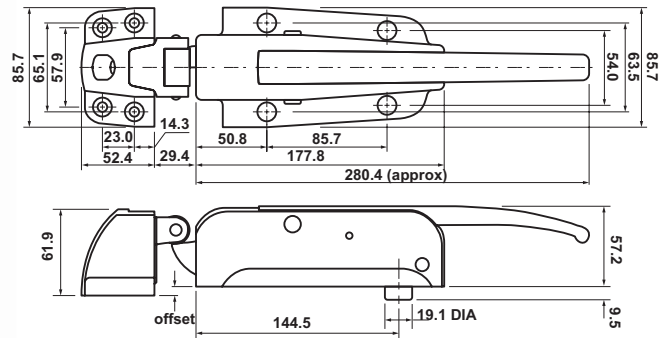
	Code	Description	Material	Mounting
A	I-147	Door handle with white plastic fixing cover. 250mm long.	PVC	Front fixing, 180mm centres.
B	AH-1500	Pull handle. 290mm long with 269mm centres.	High pressure die-cast zinc. Chrome plated.	Rear mount only. 1/4" BSW thread.

# HINGED DOOR HARDWARE

## Kason 56 Series Safeguard Tuffkote Latches



A



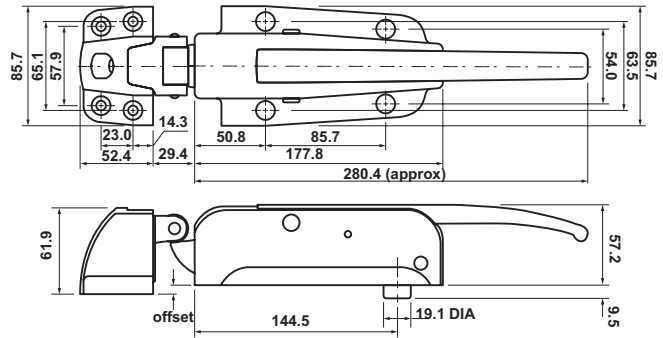
B

Code	Description	Material	Mounting Holes
A	K56L0T021 Kason 56 ' Tuffkote latch. Bolt type tongue provides positive locking action. Padlocking provision standard.	High pressure die-cast zinc with an iron handle. Tuffkote (grey baked enamel).	Drilled and countersunk for 6mm ¼" screws.
B	K56CLT108 Kason K56 Series Tuffkote latch with cylinder lock. Bolt type tongue provides positive locking action	High pressure die-cast zinc body and strike housing. Malleable iron handle. Tuffkote (grey baked enamel).	Drilled and countersunk for 6mm ¼" screws.

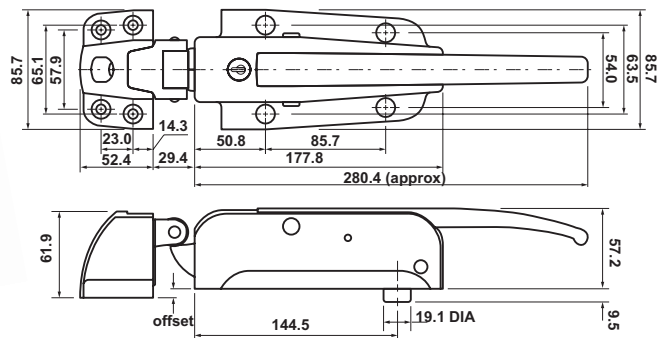
Recommended for external applications, areas of high humidity and where coarse chemicals are used for cleaning. Inside release not included, order K481 separately.



A



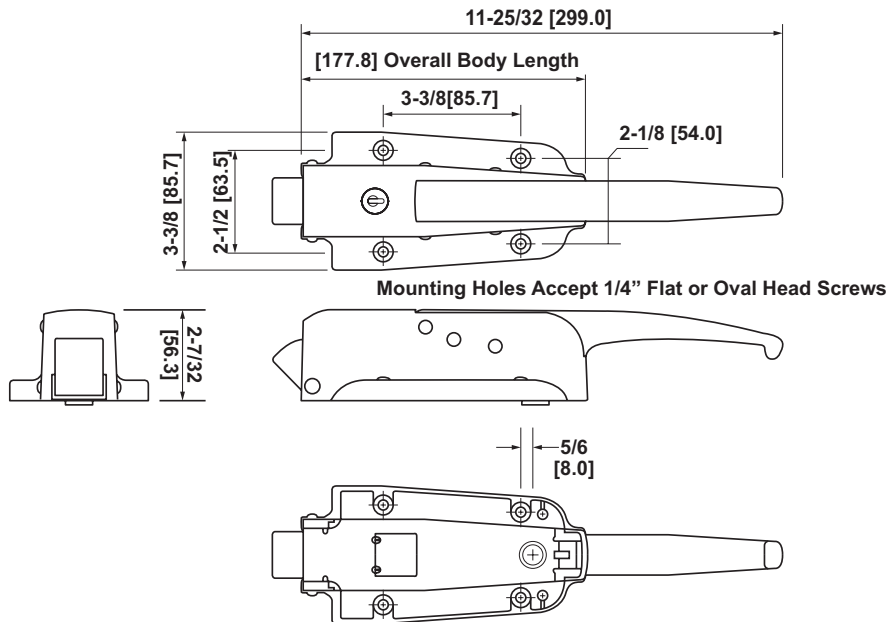
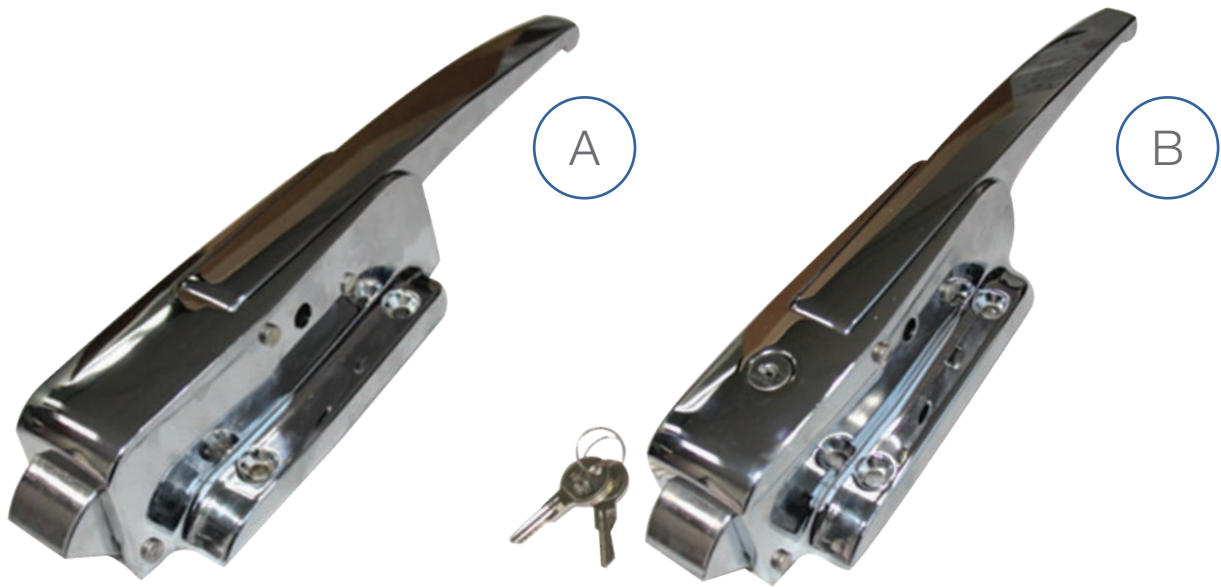
B



Code	Description	Material	Mounting Holes
A	K56L05020 Kason 56 'Safeguard' standard latch. Bolt type tongue provides positive locking action. Padlocking provision standard.	High pressure die-cast zinc body with stainless steel handle Chrome plated.	Drilled and countersunk for 6mm ¼" screws.
B	K56CL5020 Kason 56 'Safeguard' standard latch with cylinder lock. Bolt type tongue provides positive locking action.	High pressure die-cast zinc body with stainless steel body. Chrome plated.	Drilled and countersunk for 6mm ¼" screws.

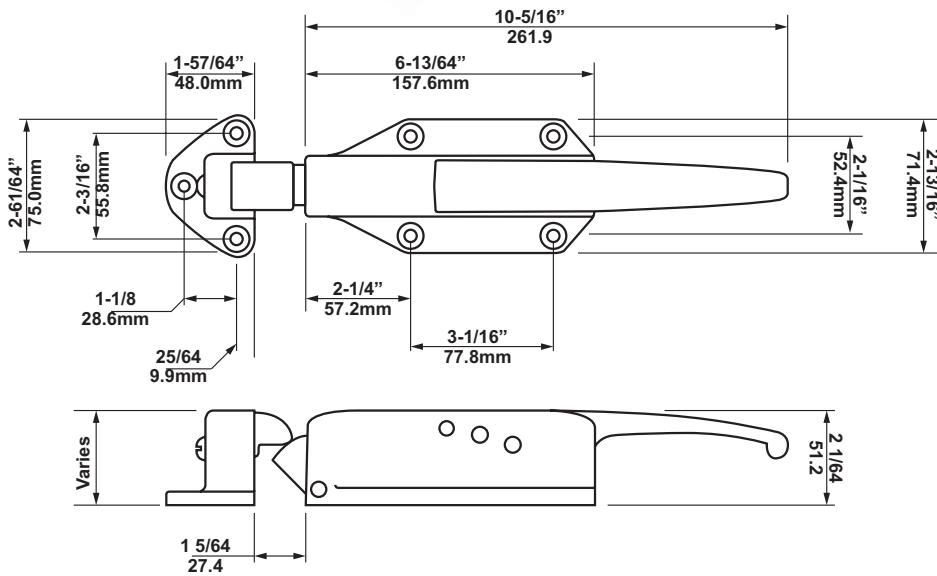
Recommended for internal applications. Inside release not included, order K481 separately.





	Code	Description	Material	Mounting Holes
A	K78L05020	Kason 78 Series Latch has a radial tongue which means closing the door is a gentle push. Combine this latch with a Kason Door Closer and you will create a self-closing door.	High Pressure die-cast zinc, chrome plated	Drilled and countersunk for 6mm (1/4") screws.
B	K78CL5020	Kason 78 Series Latch with Cylinder lock has a radial tongue which means closing the door is a gentle push. Combine this latch with a Kason Door Closer and you will create a self-closing door.	High Pressure die-cast zinc, chrome plated	Drilled and countersunk for 6mm (1/4") screws.

Suitable for use with the K109 Series hydraulic door closer. Use a K481 Internal Release Mechanism and 56 Series Strike.

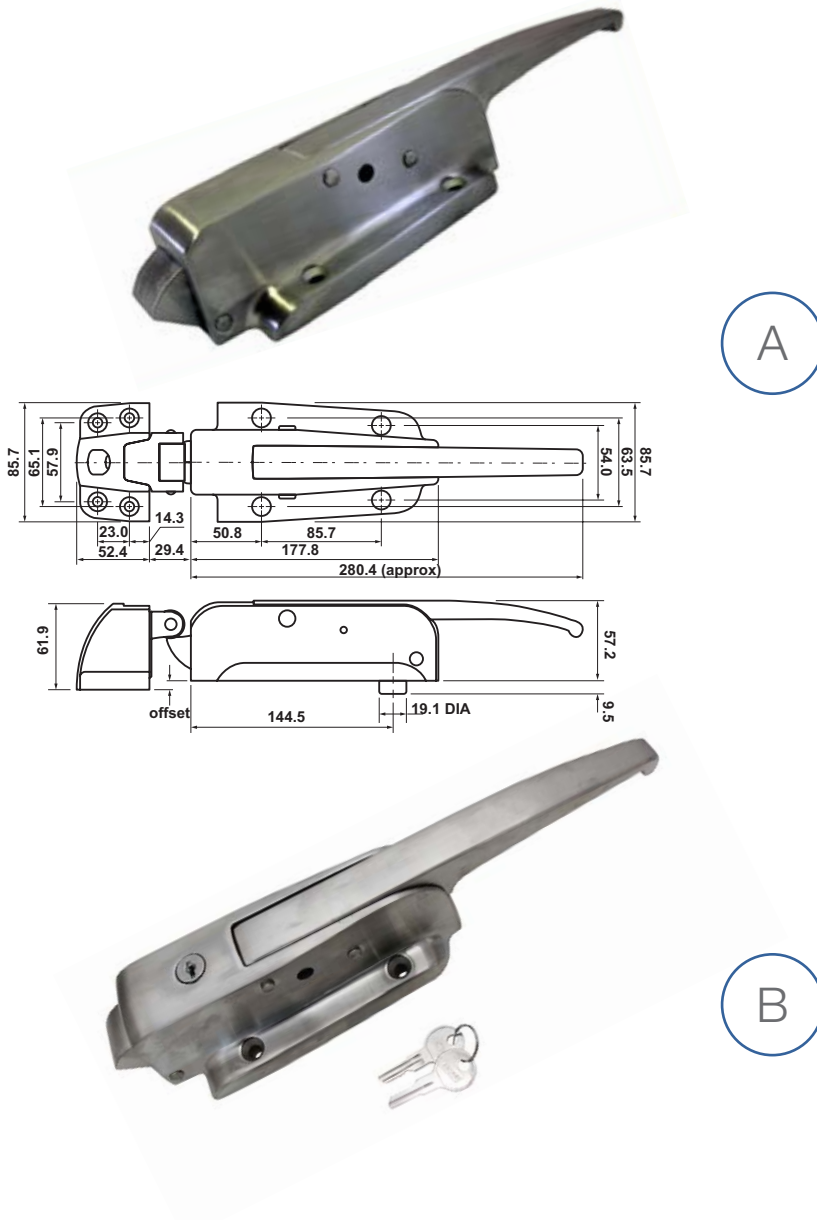


Code	Description	Material	Mounting Holes
K58L05021	Kason 58 'series' radial tongue latch. The radial tongue means closing the door is a gentle push. Padlocking provision is standard	High pressure die-cast zinc. Chrome plated	Drilled and countersunk for (6.0mm) ¼" screws

Suitable for use with the K109 Series hydraulic door closer. Use a K481 internal release mechanism and 58 series strike.

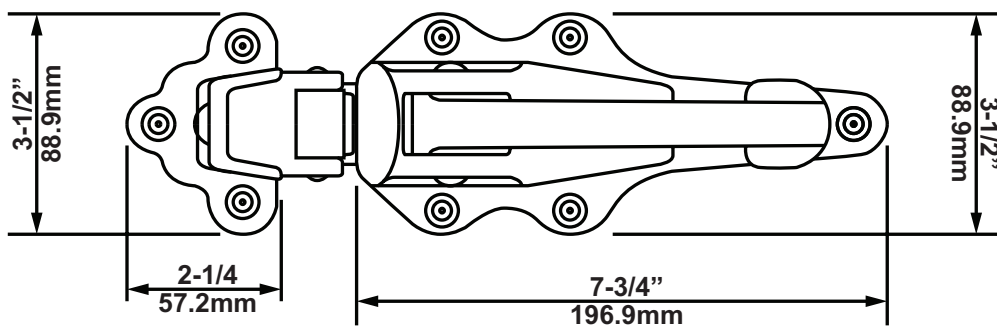
# HINGED DOOR HARDWARE

## Kason 778 Stainless Steel Series Latches



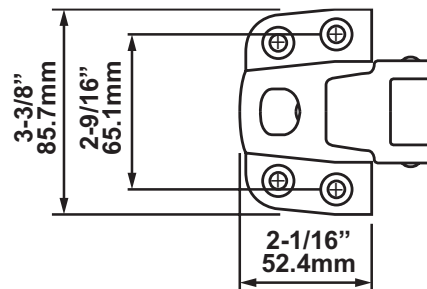
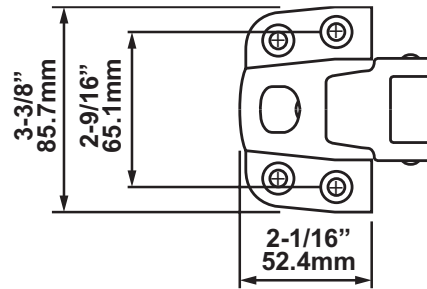
Code	Description	Material	Mounting Holes
A K778L06020	Kason 778 Series Latch has a radial tongue which means closing the door is a gentle push. Combine this latch with a Kason door closer and you will create a self-closing door. This latch is suitable for outdoor and harsh environment applications.	Brushed 316 stainless steel.	Drilled & countersunk for 6mm (¼”) screws.
B K778CL06020	Kason 778 Series Latch with cylinder lock has a radial tongue which means closing the door is gentle push. Combine this latch with a Kason door closer and you will create a self-closing door. This latch is suitable for outdoor and harsh environment applications.	Brushed 316 stainless steel	Drilled & countersunk for 6mm (¼”) screws.
Suitable for use with the K109 Series hydraulic door closer. Use a K481SC600 Internal release mechanism and 56 Series Strike.			

HINGED DOOR HARDWARE  
Kason Iron Padlocking Latch Set



Code	Description	Materials	Note
K052000004	Kason iron latch and strike set. Includes padlocking facility. -3.2mm to 7.9mm Offset.	Zinc plated cast iron.	WARNING: this latch cannot be opened from inside when locked, therefore they should not be used on doors which are the sole means of exit from walk-ins.



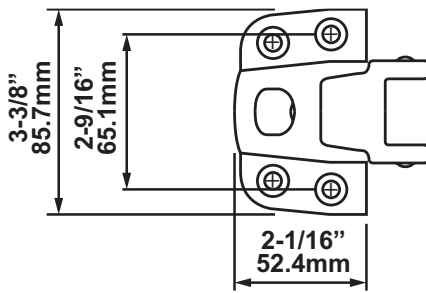


	Code	Description	Material	Mounting Holes
A	K565002	Kason 56 series strike, -3.2mm to 19mm to suit Kason K56 Series latches.	Chrome plated. Pressure die-cast zinc.	Drilled and countersunk for 1/4" (6.0mm) screws.
	K565003	Kason 56 series strike, 19mm to 38mm to suit Kason K56 Series latches.	Chrome plated. Pressure die-cast zinc.	Drilled and countersunk for 1/4" (6.0mm) screws.
B	K565005	Kason 56 series strike, 44mm to 63mm to suit Kason K56 Series latches.	Chrome plated. Pressure die-cast zinc.	Drilled and countersunk for 1/4" (6.0mm) screws.
	K565008	Kason 56 series strike, 76mm to 101mm to suit Kason K56 latches.	Chrome plated. Pressure die-cast zinc.	Drilled and countersunk for 1/4" (6.0mm) screws.

Recommended for internal applications.

# HINGED DOOR HARDWARE

## Kason Tuffkote Adjustable Strikes



	Code	Description	Material	Mounting Holes
A	K56T002	Kason 56 Series Tuffkote strike -3mm to 19mm adjustable strike to suit Kason K56L0T021 and K56CLT108 latches.	Pressure die-cast zinc. Tuffkote (grey baked enamel).	Drilled and countersunk for 6mm 1/4" screws.
	K56T003	Kason 56 Series Tuffkote strike 19mm to 38mm adjustable strike to suit Kason K56L0T021 and K56CLT108 latches.	Pressure die-cast zinc. Tuffkote (grey baked enamel).	Drilled and countersunk for 1/4" (6.0mm) screws.
B	K56T005	Kason 56 Series Tuffkote strike 44mm to 63mm adjustable strike to suit Kason K56L0T021 and K56CLT108 latches.	Pressure die-cast zinc. Tuffkote (grey baked enamel).	Drilled and countersunk for 1/4" (6.0mm) screws.

Recommended for external applications, areas of high humidity and where coarse chemicals are used for cleaning.



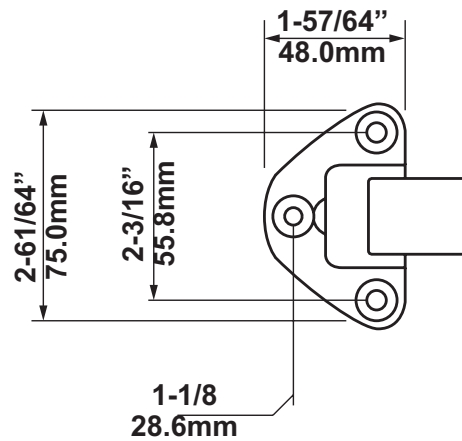


A



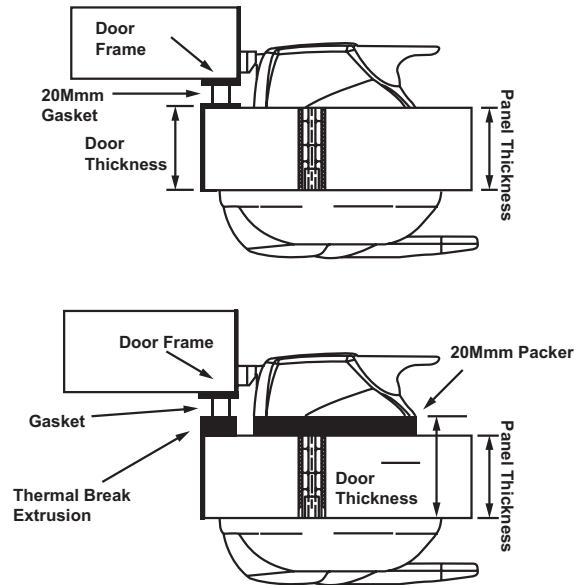
B

	Code	Description	Material
A	K778002	Kason 778 Series stainless steel satin finish strike, -3mm - 19mm offset.	Brushed 316 stainless steel.
	K778003	Kason 778 Series stainless steel satin finish strike, 19mm - 41mm offset.	Brushed 316 stainless steel.
B	K778004	Kason 778 Series stainless steel satin finish strike, 44mm - 63mm offset.	Brushed 316 stainless steel.



	Code	Description	Material	Mounting
A	K585001	Kason 58 Series strike 3.2mm to 6.4mm offset to suit Kason 58 Series latch.	Pressure die-cast zinc, polished chrome plated.	Drilled and countersunk for 1/4" (6.0mm) screws.
B	K585002	Kason 58 Series strike 19.0mm to 38.1mm offset to suit Kason 58 Series latch.	Pressure die-cast zinc, polished chrome plated.	Drilled and countersunk for 1/4" (6.0mm) screws.
	K585003	Kason 58 Series strike 44.5mm to 63.5mm offset to suit Kason 58 Series latch	Pressure die-cast zinc, polished chrome plated.	Drilled and countersunk for 1/4" (6.0mm) screws.

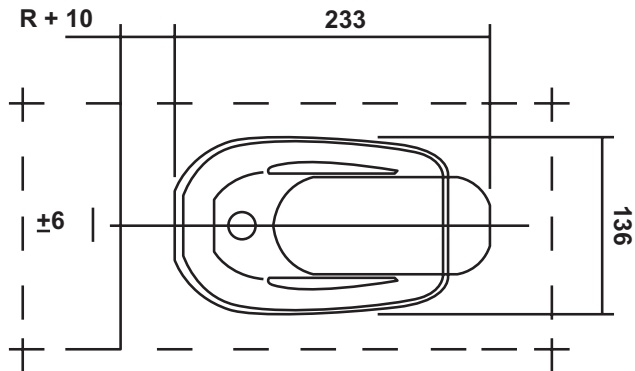
## How to select your Fermod F430/F431 Latch Kit



Code	Door Thickness	Description
F430CRH-115	67mm-115mm	Fermod latch and inside release kit.
F430CRH-115P	67mm-115mm	Fermod latch with packer and inside release kit.
F431CRH-115	67mm-115mm	Fermod lockable latch and inside release kit.
F431CRH-115P	67mm-115mm	Fermod lockable latch with packer and inside release kit.
F430CRH-165	115mm-165mm	Fermod latch and inside release kit.
F430CRH-165P	115mm-165mm	Fermod lockable latch with packer and inside release kit.
F431CRH-165	115mm-165mm	Fermod lockable latch and inside release kit.
F431CRH-165P	115mm-165mm	Fermod lockable latch with packer and inside release kit.
F430CRH-170P	170mm	Fermod latch with packer and inside release kit
F431CRH-170P	170mm	Fermod lockable latch with packer and inside release kit.



A

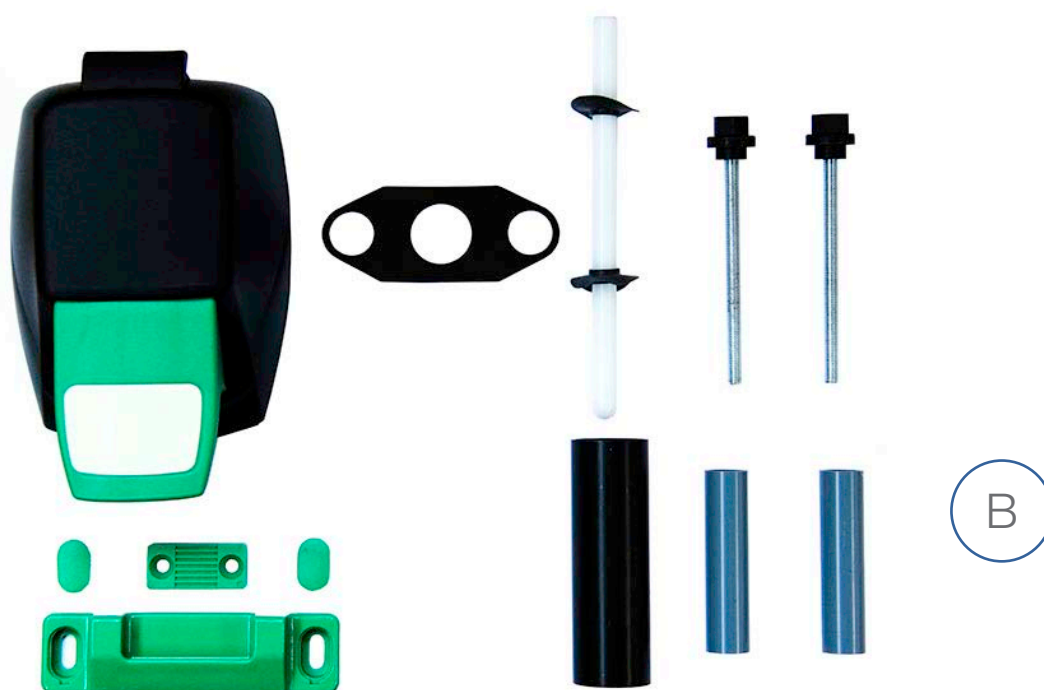
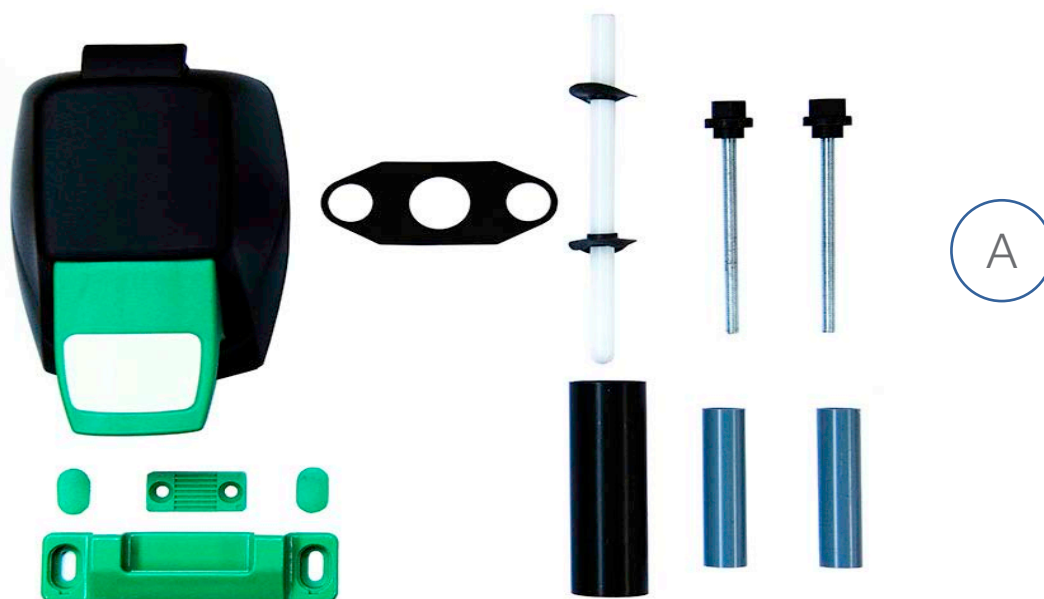


B



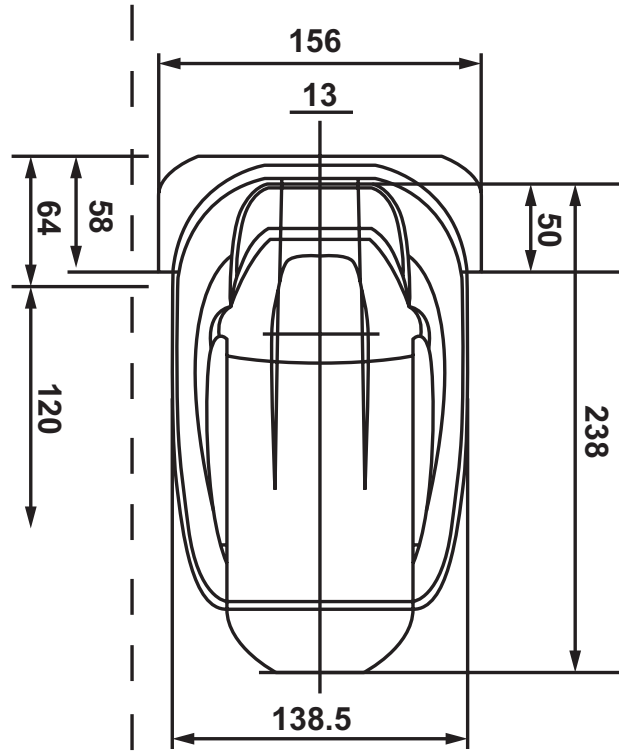
C

	Code	Description	Material
A	F430CRH-115	Fermod F430 latch set - no lock. For door thickness of 67mm-115mm.	Composite
	F430CRH - 165	Fermod F430 latch set - no lock. For door thickness 115mm-165mm.	Composite
B	F431CRH - 115	Fermod F431 latch set - with lock. For door thickness 67mm-115mm.	Composite
	F431CRH - 165	Fermod F431 latch set - with lock. For door thickness 115mm-165mm.	Composite
C	F60423	Fermod F430/F431 series internal strike. Green.	PVC



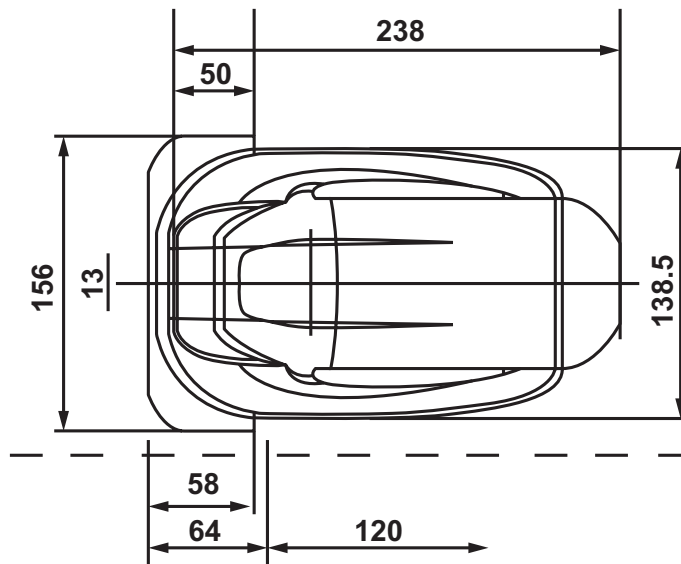
	Code	Description	Material
A	F431XX115	Fermod F430/F431 internal release, 67mm-115mm door thickness.	Composite.
B	F431XX165	Fermod F430/F431 internal release, 115mm-165mm door thickness.	Composite.

HINGED DOOR HARDWARE  
 Fermod Latch with Lock & Inside Release

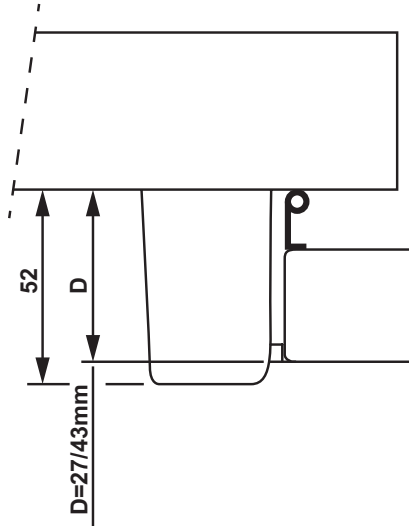


Code	Description	Material
F521	Fermod latch and inside release with lock. Suitable for cool rooms and especially ideal for freezers due to the antifreeze internal release design and panel thickness up to 150mm. Stricke is purchased separately. Colour: grey and black.	Composite.





Code	Description
F520	Fermod latch and inside release (No key lock). Suitable for cool rooms and especially ideal for freezers due to the anti-freeze internal release design and panel thickness up to 150mm. Latch and internal release only, strike is bought separately.

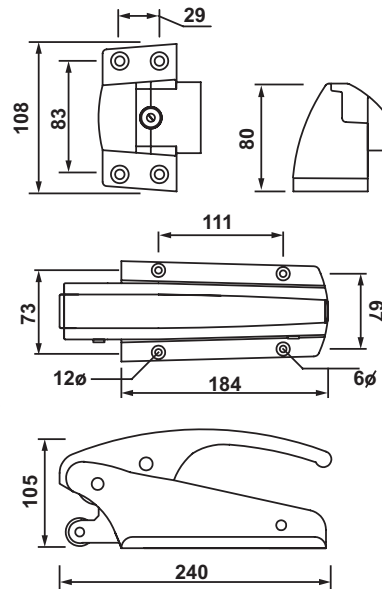
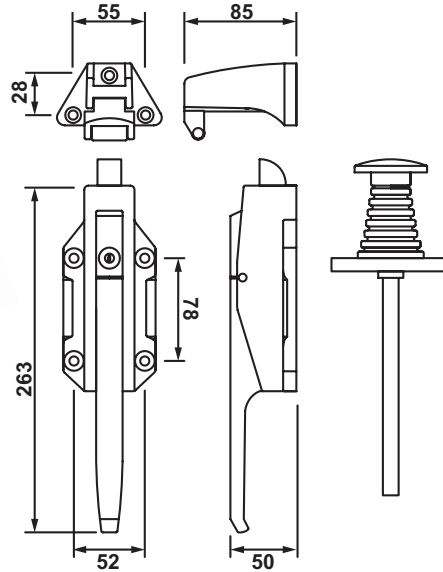


	Code	Description	Material	Mounting Holes
A	F5211	Fermod F520/F521 strike 27mm to 43mm offset	Composite	5.0mm
	F5212	Fermod F520/F521 strike 44mm to 60mm offset.	Composite	5.0mm
	F5213	Fermod F520/F521 strike 61mm to 77mm offset.	Composite	5.0mm
B	F521SHIM	Fermod F520/F521 strike packer 17mm.	Composite	5.0mm

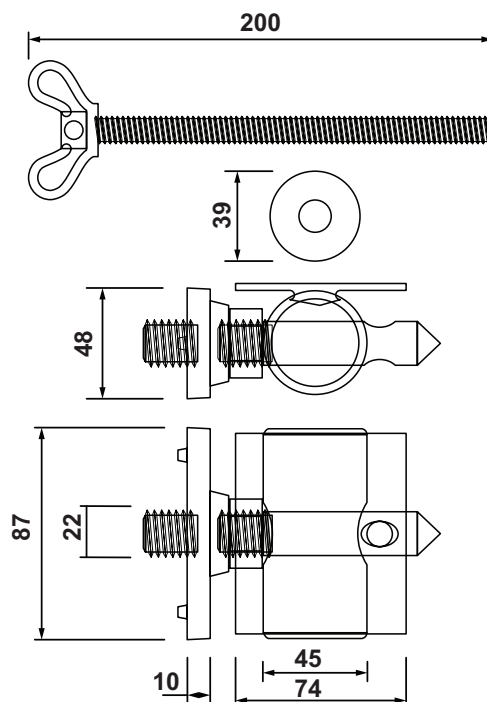




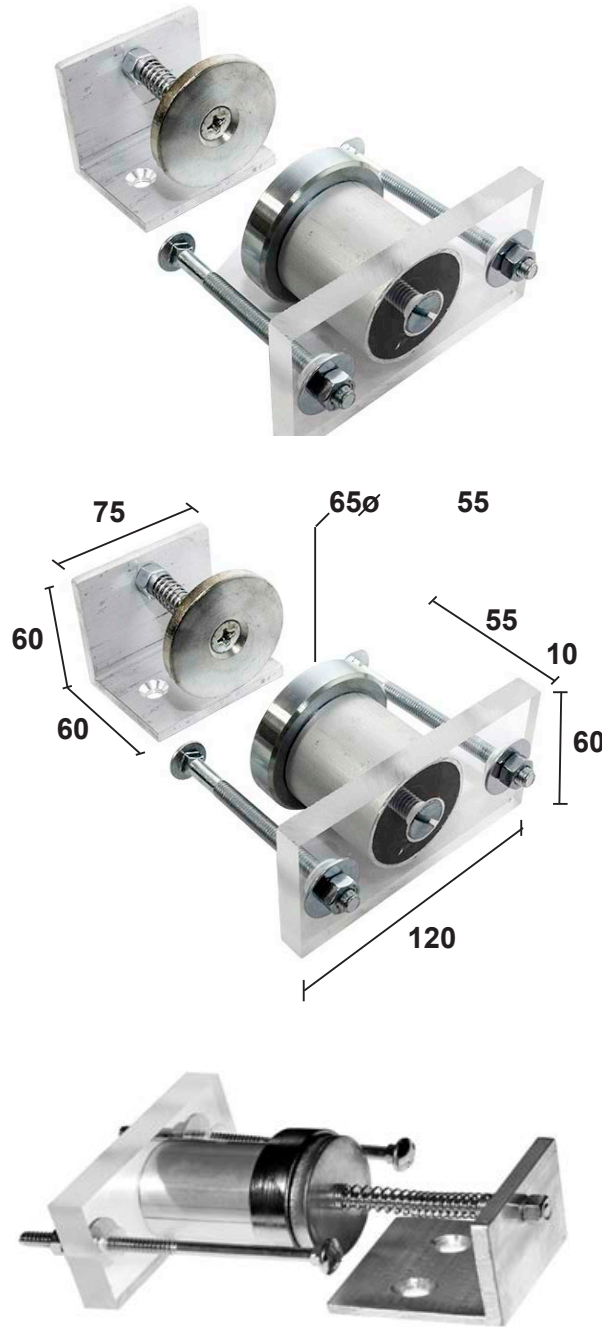
Code	Description	Material
F15618V-EX	Fermod button cap, suitable for Fermod F520/F521 and F920 internal release.	Composite



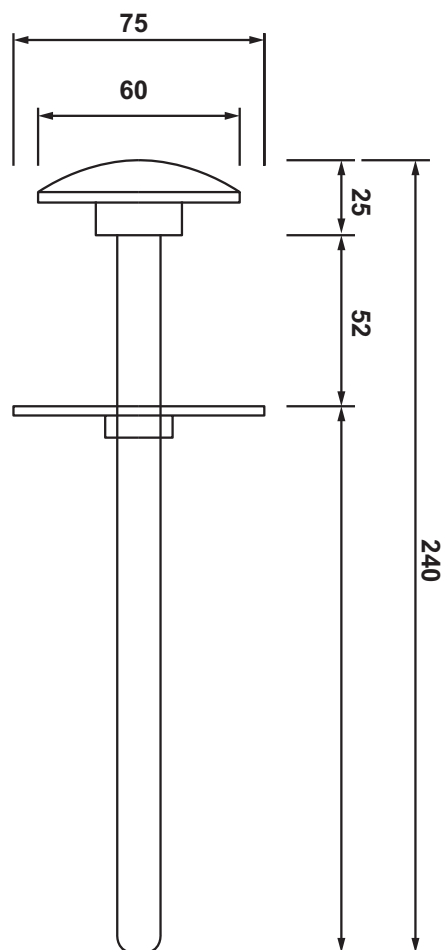
	Code	Description	Material	Mounting Holes
A	AH-1178	CRH safety latch set, 44mm-60mm offset. Set includes latch body with cylinder lock, 2 keys and padlock locking provision. 44mm-60mm adjustable offset strike. Nylon inside release push handle suitable for up to 150mm door panel.	High pressure die-cast zinc. Chrome plated.	Drilled and countersunk for 1/4" (6.0mm) screws.
	AH-1178-05	CRH safety latch set, 0mm-5mm offset. Set includes latch body with cylinder lock, 2 keys and padlock locking provision. 0mm-5mm adjustable offset strike. Nylon inside release push handle suitable for up to 150mm door panel.	High pressure die-cast zinc. Chrome plated.	Drilled and countersunk for 1/4" (6.0mm) screws.
B	AH-838	CRH safety latch set, 16mm to 32mm offset, with facility to be secured with a padlock. 16mm to 32mm adjustable strike and inside release included.	High pressure die-cast zinc. Polished chrome.	Drilled and countersunk for 1/4" (6.0mm) screws/



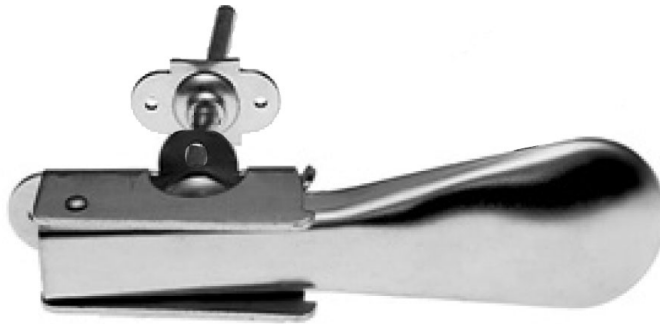
Code	Description	Material
RC01K	CRH roller catch set suits 75mm to 150mm coldroom and freeze door panel.	Main body aluminium. Remainder high pressure die cast, nylon and stainless steel.



Code	Description	Material	Mounting
L02	B1 Magnet Assembly. Suits light to medium duty cool room doors.	Perspex backing, spacer, pot magnet zinc plated, striker aluminium, remainder, including fittings, zinc plated steel.	Drilled for 6mm screws.



Code	Description	Materials	Mounting Holes
K481	Kason Safety-Glow™ push handle. Suitable for K56, K58 and K78 series latches.	Steel rod and flange. Zinc plate. Safety-Glow™ knob.	Drilled for 5.0mm screws.
K481SA600	Kason Safety-Glow™ push handle. Suitable for K56 series latches.	Stainless steel rod and flange. Safety-Glow™ knob.	Drilled for 5.0mm screws.
K481SC600	Kason Safety-Glow™ push handle. Suitable for K58, K78, K778 Series latches.	Stainless steel and flange. Safety-Glow™ knob.	Drilled for 5.0mm screws.
K481A	Kason inside release push for 56 Series latches, up to 150mm thick panel. See Installation Instructions for cutting lengths dependent on panel thickness.	Zinc plated steel.	Drilled for 5.0mm screws.
K481C	Kason Inside Release Push with luminous knob. The 'push' travel distance is designed for use with 58, 78 and 778 Series Kason latches. The overall length is suitable for up to 150mm Insulated Door Panel.	Zinc plated steel with luminous knob.	Drilled for 5.0mm screws.



A



B



C

	Code	Description	Material	Mounting Holes
A	K483	Kason paddle handle and inside release rod. Suitable for AH-838 latch.	Zinc plated steel.	Drilled for 5.0mm screws.
B	K486	Kason recessed pull handle. Suitable for K56 series latches. Maximum 6" (152.4mm) panel.	Plastic housing. Steel rod.	Drilled for 5.0mm screws.
C	AH-1178C	Nylon push handle with luminous knob. 175mm rod.	Nylon.	Drilled for 5.0mm screws.

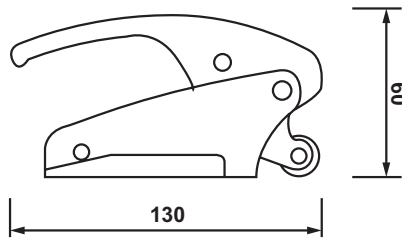
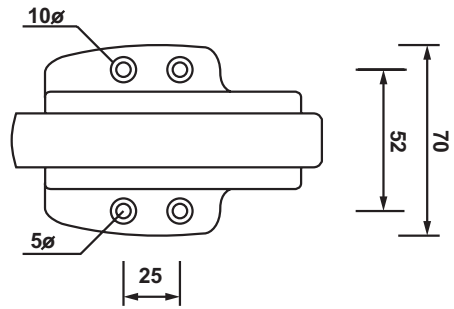




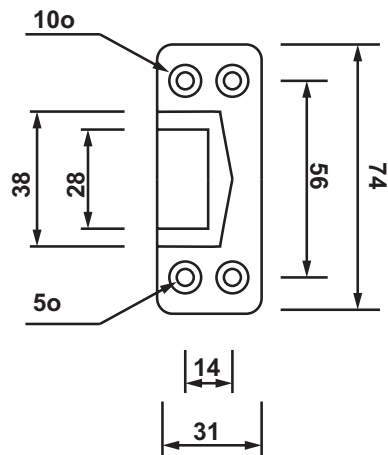
Code	Description	Material
K481K	Kason glow knob for internal release.	PVC.



Code	Description	Material
RC02	170mm M12 nylon rod with fitted aluminium wingnut and 35mm washer.	Aluminium and nylon.



A

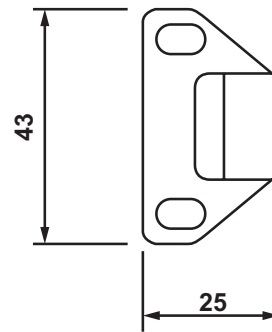
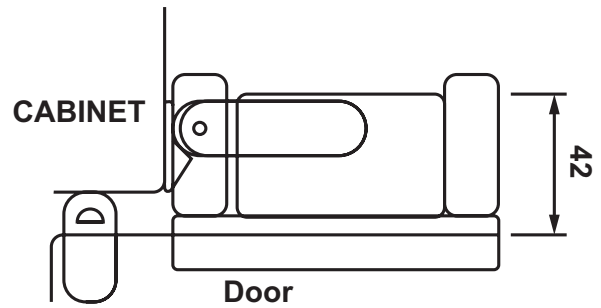
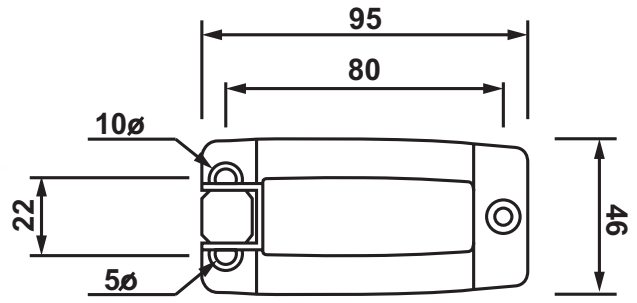


B

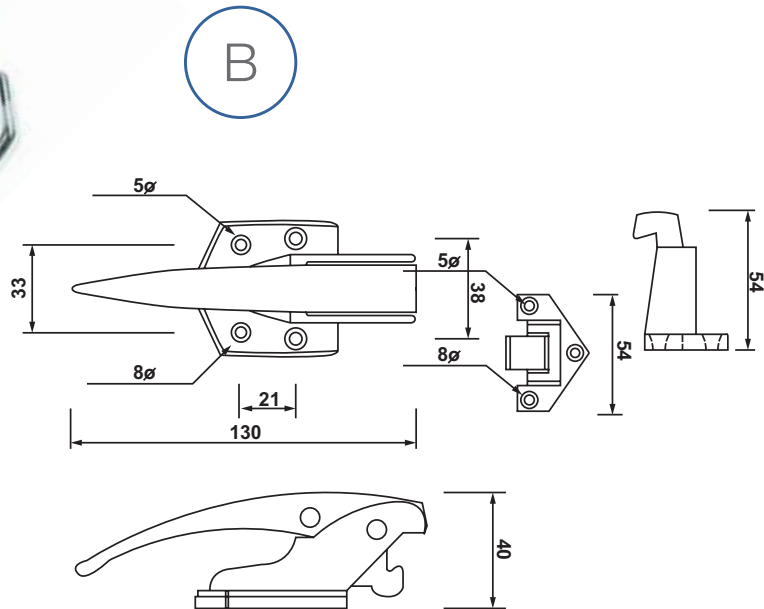
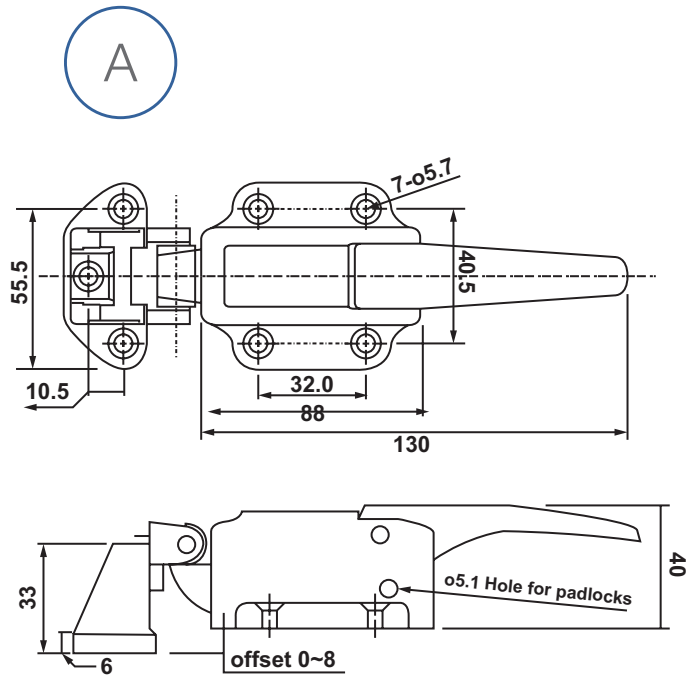
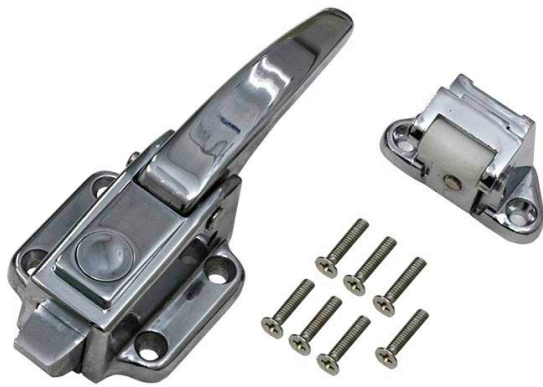


	Code	Description	Material	Mounting Holes
A	CRH5710X	Cabinet latch with facility to be secured by padlock.	Pressure die-cast zinc. Chrome plated.	Drilled and countersunk for 5.0mm screws.
B	CRH5722X	CRH 60 ° adjustable strike 19mm to 25mm offset.	Pressure die-cast zinc. Chrome plated.	Drilled and countersunk for 5.0mm screws.
	CRH5723X	CRH 90 ° adjustable strike 19mm to 25mm offset.	Pressure die-cast zinc. Chrome plated.	Drilled and countersunk for 5.0mm screws.

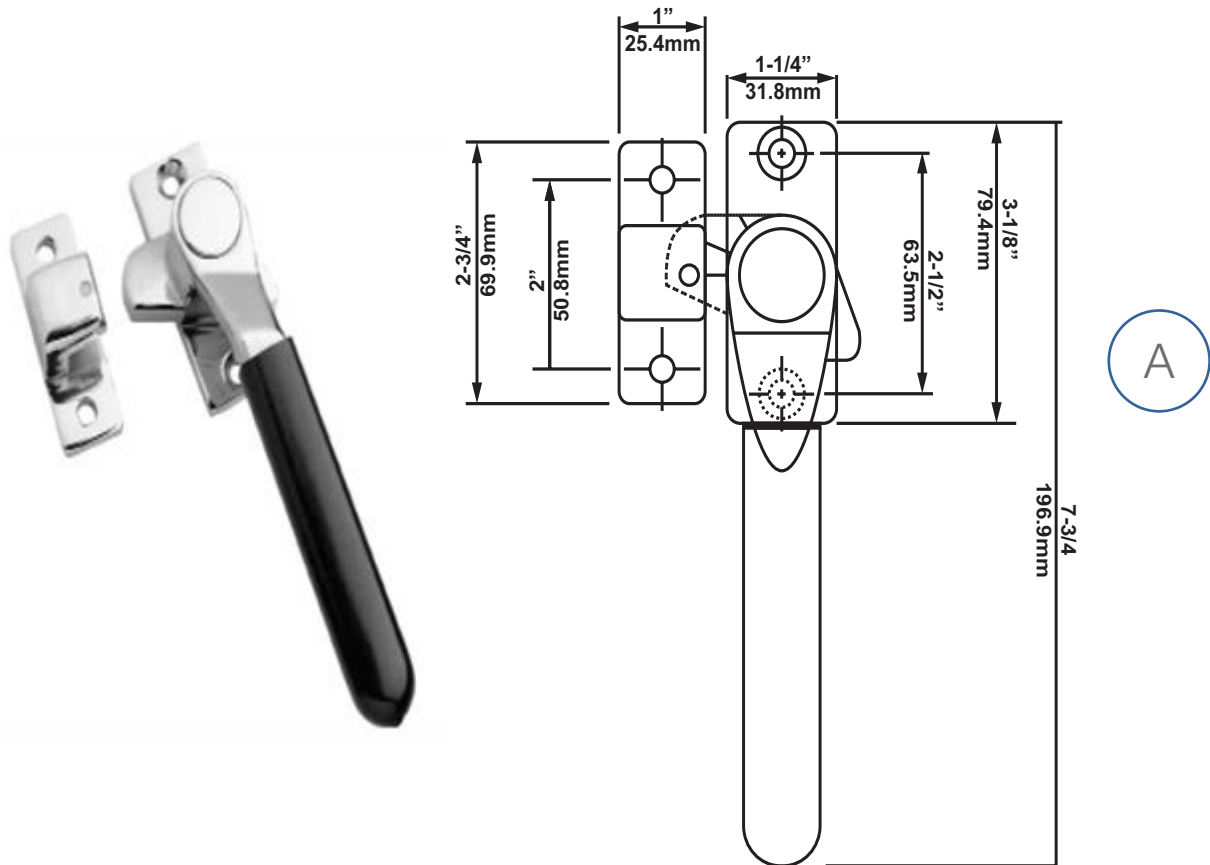
HINGED DOOR HARDWARE  
CRH Internal Refrigeration Latch and Strike



Code	Description	Dimensions	Material
CRH1961X	CRH cabinet latch and strike. Tension is adjustable. Fitted with light spring, range 6.8 to 16.3kg.	Pressure die-cast zinc. Chrome plated.	Drilled and countersunk for 5.0mm.



	Code	Description	Material	Mounting Holes
A	AH – 713N	Cabinet roller latch with 10mm to 28mm adjustable strike	Die-cast zinc, polished chrome.	Drilled and countersunk for 5.0mm.
B	AH- 1300	Cabinet latch with 18mm to 30mm adjustable strike.	Die-cast zinc, polished chrome	Drilled and countersunk for 5.0mm screws.

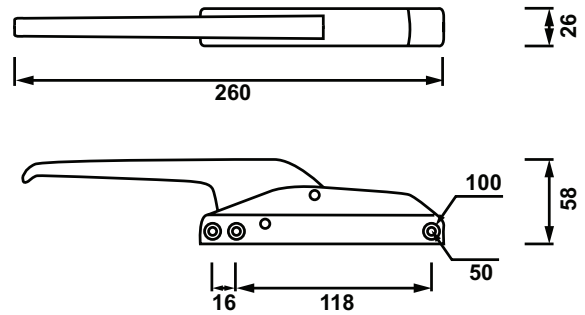


	Code	Description	Material	Mounting Holes
A	K81204	Kason cam action mechanical latch. Engineered specifically for heated cabinets where high gasket compression is required. Positive cam action maintains tight seal and allows easy opening under varying temperatures. Easy-grip handle stays cool with hi-temp vinyl insulating sleeve. Flush offset.	Cast zinc alloy handle, strike and base, stainless steel pin. Polished finish.	Countersunk and drilled for 6.0mm screws.

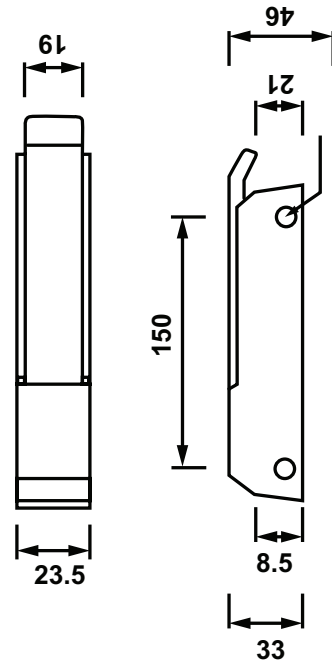




A

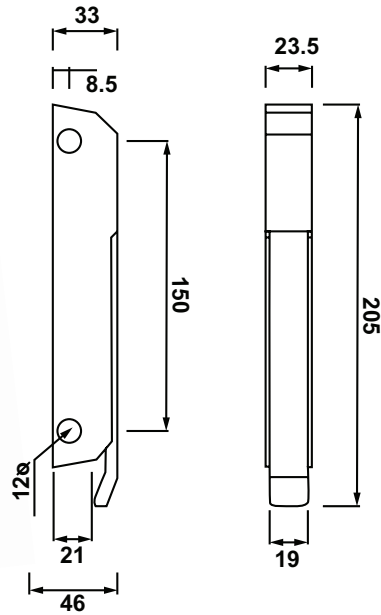


B

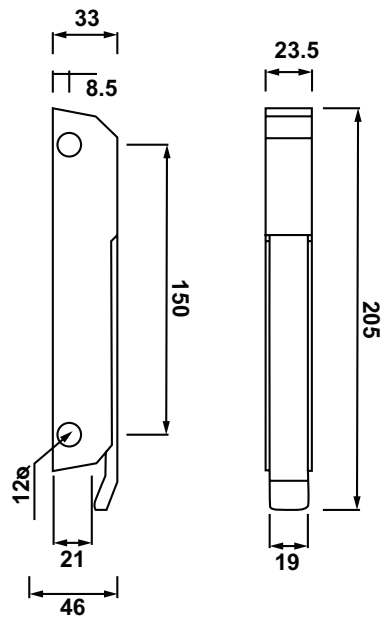


C

	Code	Description	Material	Mounting Holes
A	AH-1200	CRH edgemount mechanical latch and strike. Offset handle. Cylinder lock with two keys.	High pressure die-cast zinc strike. Chrome plated.	Drilled and countersunk for 5.0mm screws.
B	CRH6188LX	CRH edgemount latch and strike with cylinder lock, with two keys.	Pressure die-cast zinc. Chrome plated.	Drilled and countersunk for 5.0mm screws.
C	CRH6188NX	CRH edgemount latch and strike.	Chrome plated.	Drilled and countersunk for 5.0mm screws.



A



B

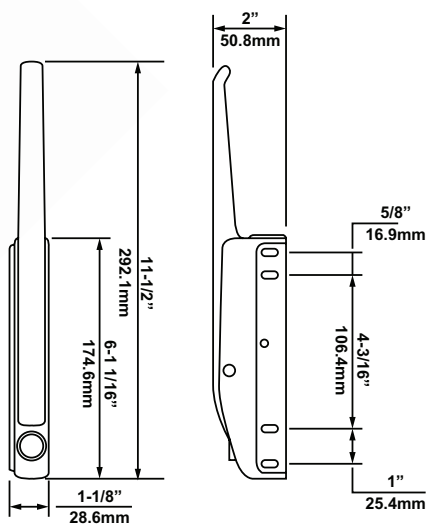
	Code	Description	Material	Mounting Holes
A	CRH6188NXSS	CRH 316 stainless steel edgemount latch and strike set.	316 Stainless steel.	Drilled and countersunk for 5.0mm screws.
B	CRH6188LXSS	CRH 316 stainless steel edgemount latch and strike set with cylinder lock.	316 Stainless steel.	Drilled and countersunk for 5.0mm screws.



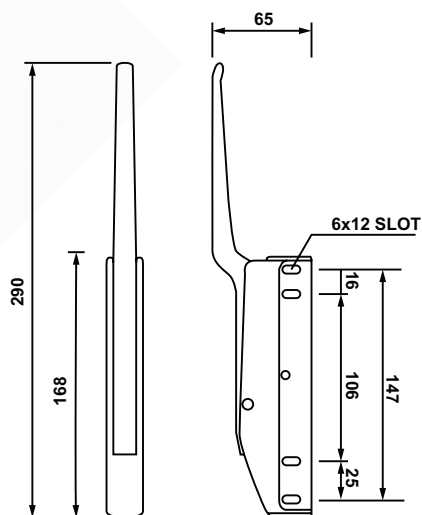


# HINGED DOOR HARDWARE

## Kason Magnetic Edgemount Latches



A

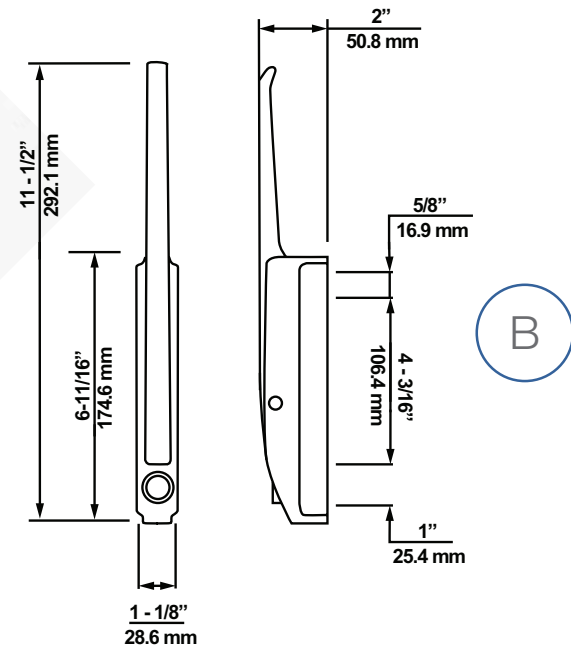
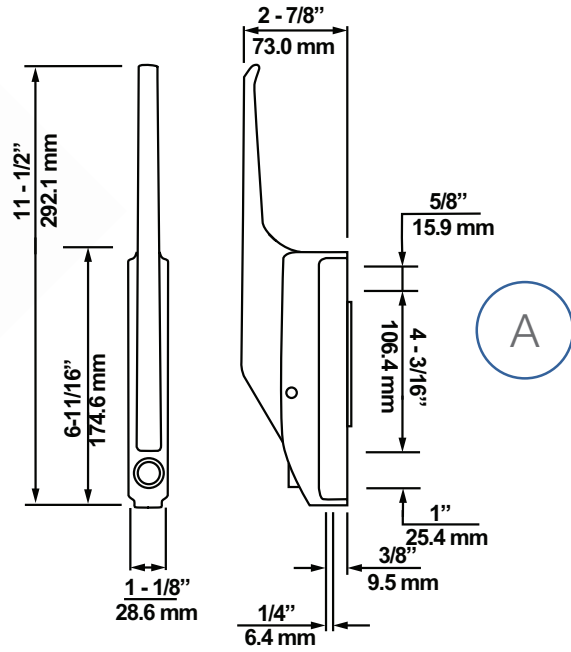


B

	Code	Description	Material	Mounting Holes
A	K17104	Kason magnetic edgemount latch, straight handle.	High pressure die-cast zinc. Chrome plated.	Drilled and countersunk for 5.0mm screws.
B	K171B024	Kason magnetic edgemount latch, offset handle.	High pressure die-cast zinc. Chrome plated.	Drilled and countersunk for 5.0mm screws.

# HINGED DOOR HARDWARE

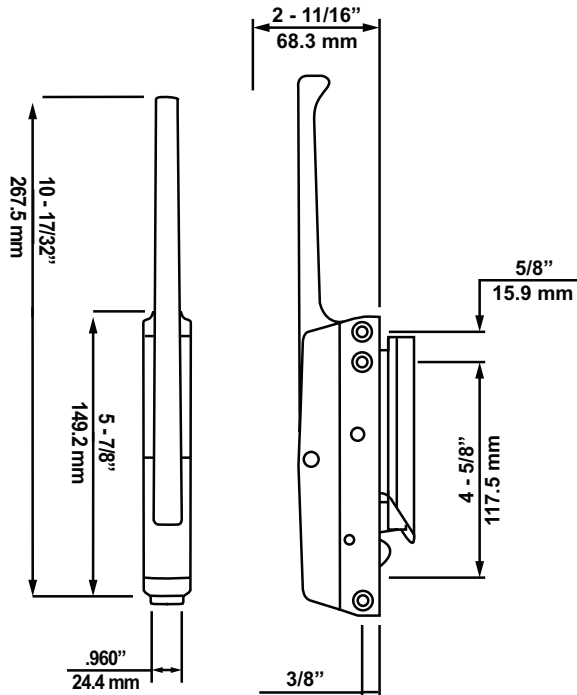
## Kason Magnetic Edgemount Latches



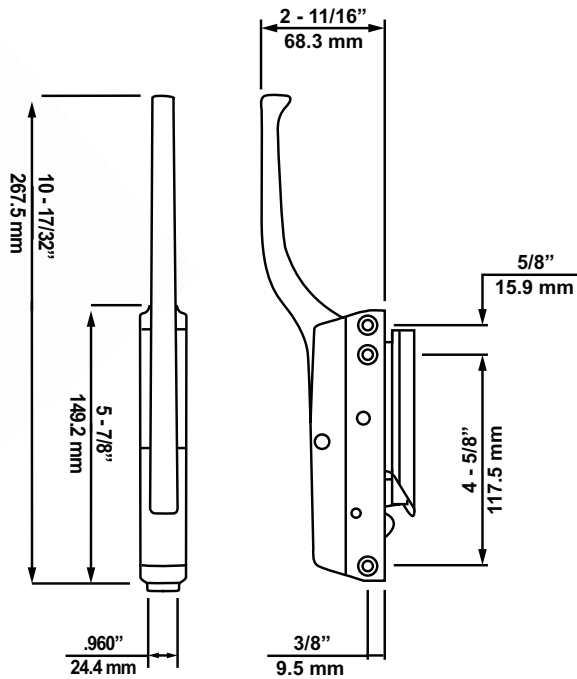
	Code	Description	Material	Mounting Holes
A	K171B08	Kason magnetic edgemount latch. Black composite offset handle.	Pressure die-cast zinc body. Chrome plated with black handle.	Drilled and countersunk for 5.0mm screws.
	K171BC08	Kason magnetic edgemount latch. Cylinder lock. Black composite offset handle.	High pressure die-cast zinc body. Chrome plated with black handle.	Drilled and countersunk for 5.0mm screws.
B	K171C04	Kason magnetic edgemount latch with lock. Straight handle.	Pressure die-cast zinc. Chrome plated.	Drilled and countersunk for 5.0mm screws.

# HINGED DOOR HARDWARE

## Kason Magnetic and Mechanical Edgemount Latches



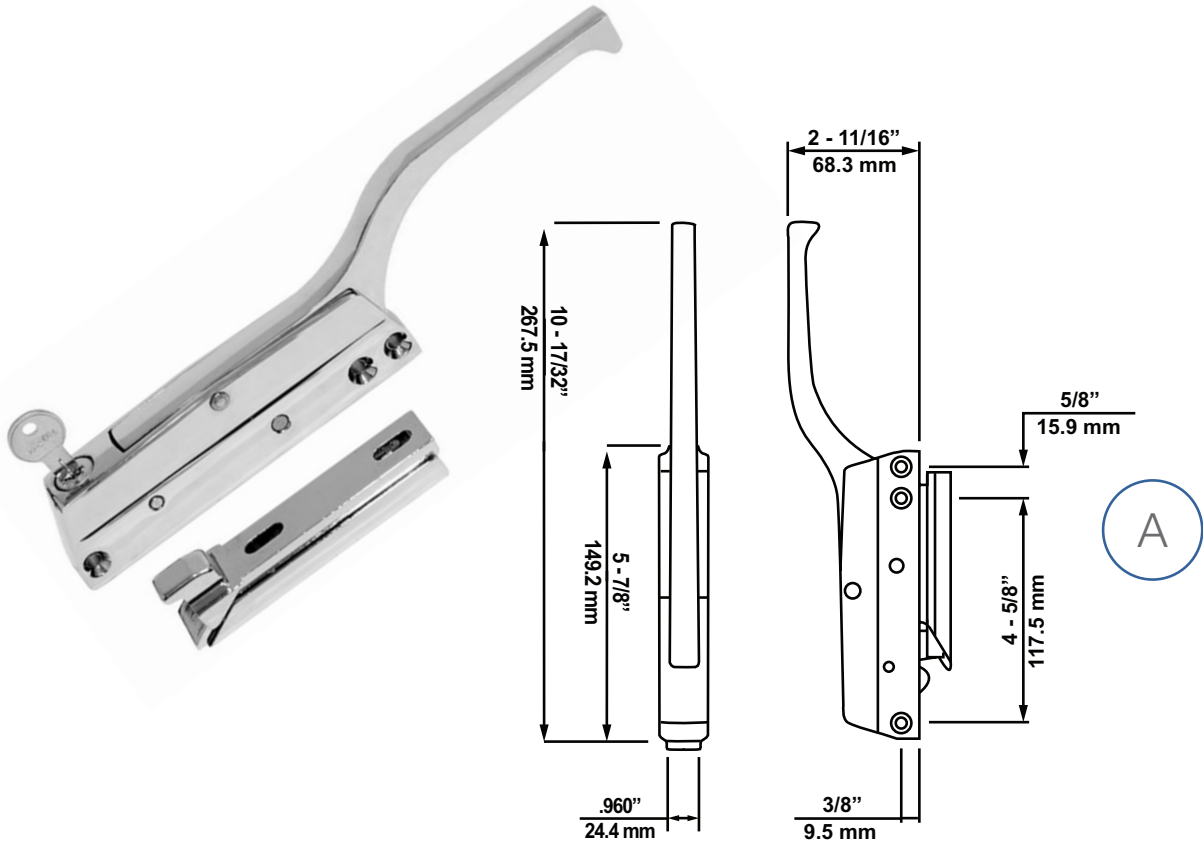
A



B

	Code	Description	Material	Mounting Holes
A	K17206	Kason magnetic-mechanical edgemount latch. Straight handle.	High pressure die-cast zinc. Chrome plated.	Drilled and countersunk for 5.0mm screws.
B	K172B06	Kason magnetic-mechanical edgemount latch. Offset handle.	High pressure die-cast zinc. Chrome plated.	Drilled and countersunk for 5.0mm screws.

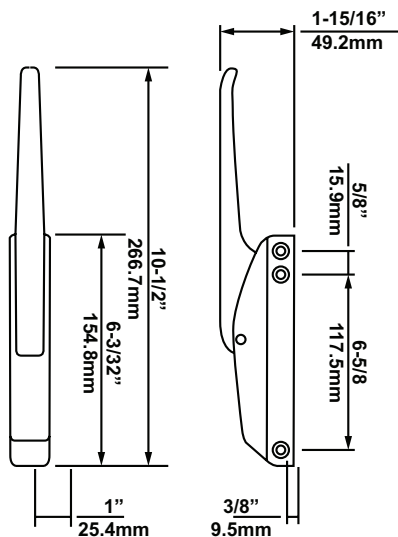
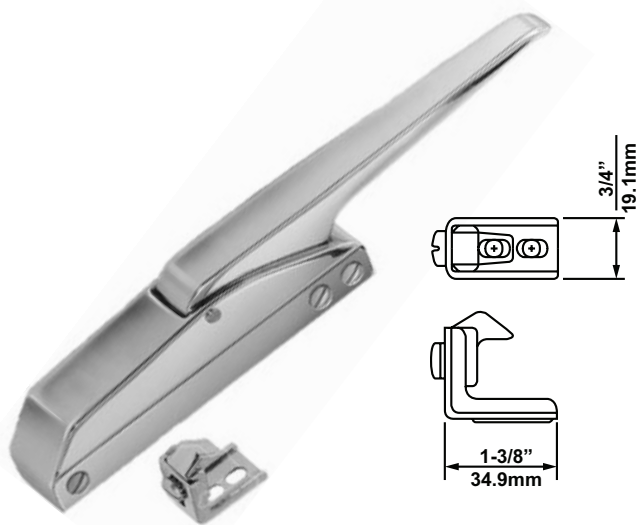
HINGED DOOR HARDWARE  
Kason Magnetic and Mechanical Edgemount Latches



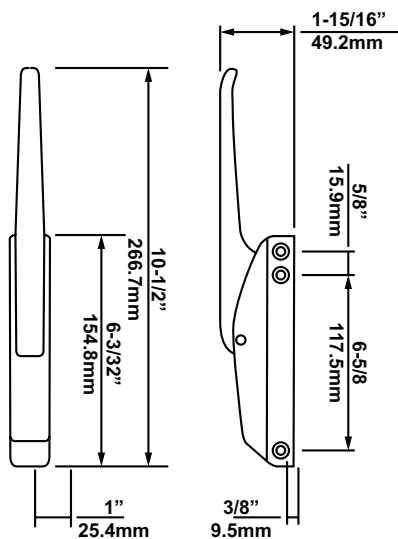
	Code	Description	Material	Mounting Holes
A	K172BC06	Kason magnetic-mechanical edgemount latch. Offset handle. Cylinder lock.	Pressure die-cast zinc. Chrome plated.	Drilled and countersunk for 5.00mm screws.
B	K172C06	Kason magnetic-mechanical edgemount latch. Straight handle. Cylinder lock.	Pressure die-cast zinc. Chrome plated	Drilled and countersunk for 5.0mm screws.

# HINGED DOOR HARDWARE

## Kason Edgemount Mechanical Latches



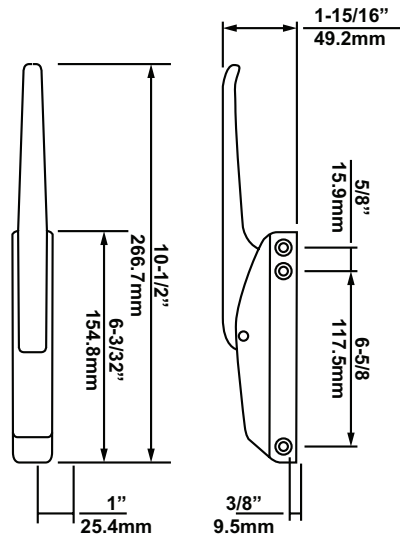
A



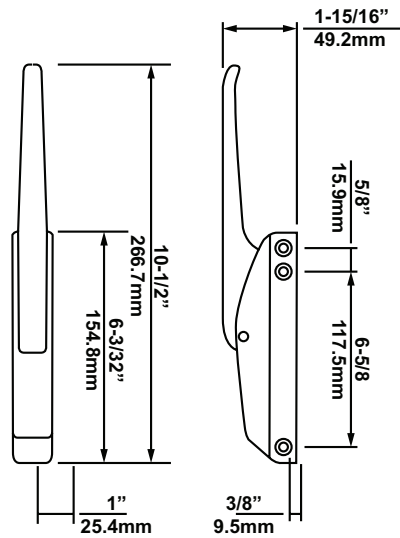
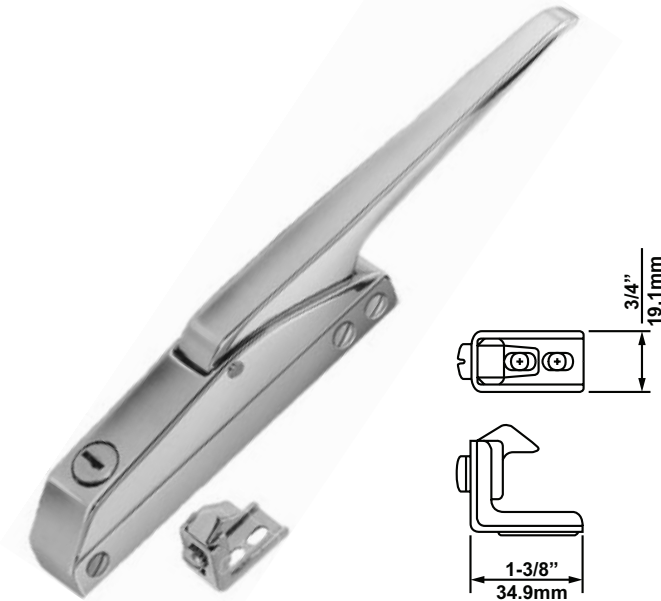
B

	Code	Description	Material	Mounting Holes
A	K17404	Kason edgemount mechanical latch. Straight handle.	Pressure die-cast zinc. Chrome plated.	Drilled and countersunk for 5.0mm screws.
B	K174B014	Kason edgemount oven latch and strike. Offset handle.	Pressure die-cast zinc. Chrome plated with cool-touch plastic sleeve handle.	Drilled and countersunk for 5.0mm screws.

HINGED DOOR HARDWARE  
Kason Edgemount Mechanical Latches

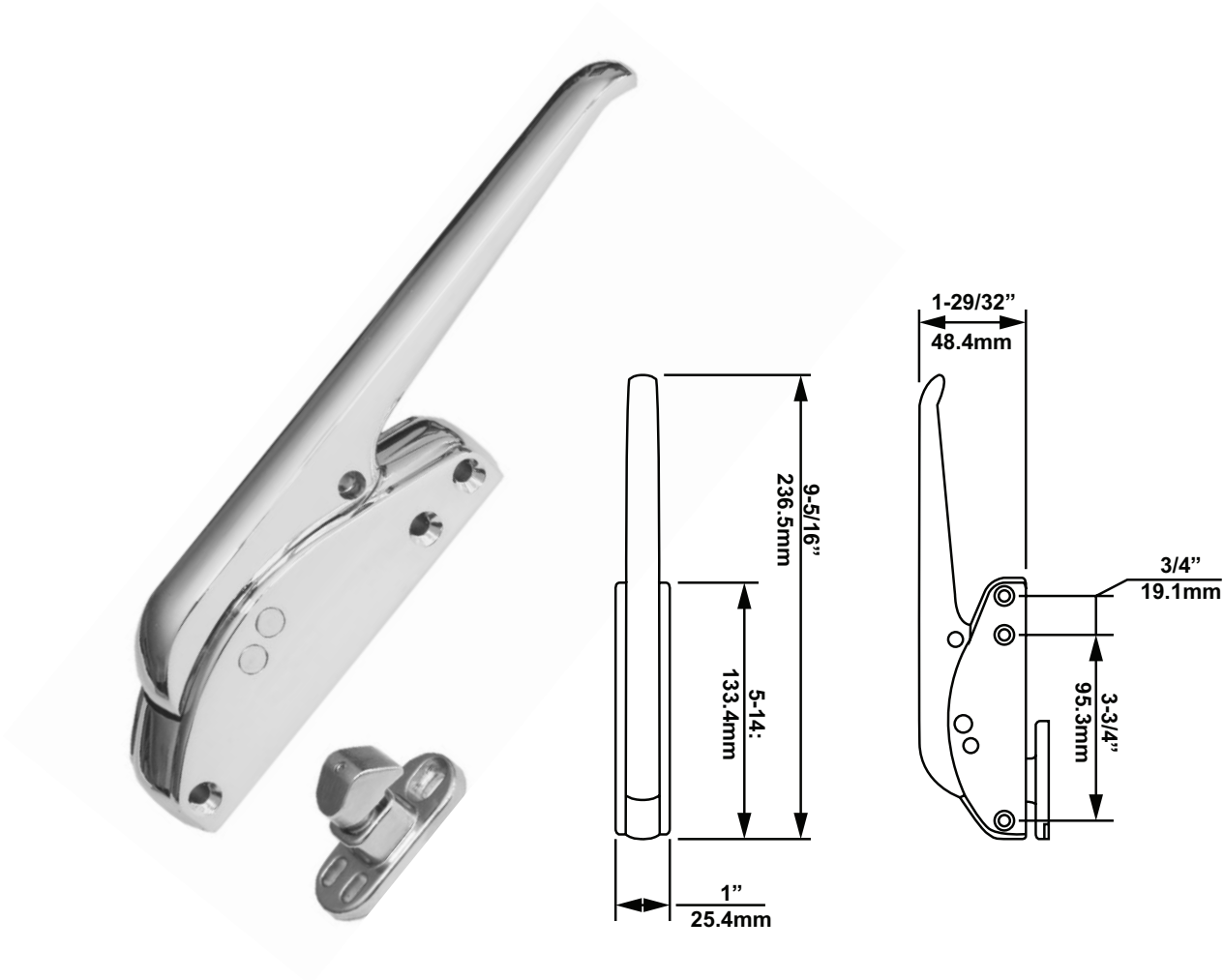


A

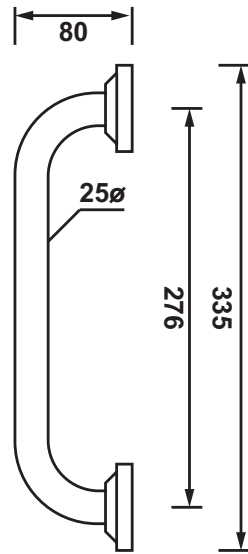


B

	Code	Description	Material	Mounting Holes
A	K174B04	Kason edgemount mechanical latch. Offset handle.	Pressure die-cast zinc. Chrome plated.	Drilled and countersunk for 5.0mm screws.
	K174BC04	Kason edgemount mechanical latch. Cylinder lock. Offset handle.	Pressure die-cast zinc. Chrome plated.	Drilled and countersunk for 5.0mm screws.
B	K174C04	Kason edgemount mechanical latch. Cylinder lock. Straight handle.	Pressure die-cast zinc. Chrome plated.	Drilled and countersunk for 5.0mm screws



Code	Description	Material	Mounting Holes
K533D	Kason edgemount mechanical latch and strike. Smooth operating trigger action latch. Kason patented two-way adjustable MICRO turn strike. Adjust to compensate for gasket compression and door sag. Positive, air-tight closure with little force.	Pressure die-cast zinc. Chrome plated.	Drilled and countersunk for 5.0mm screws.



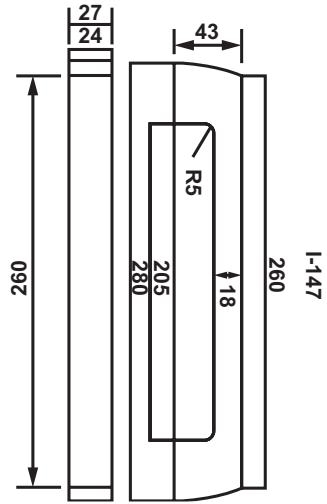
A



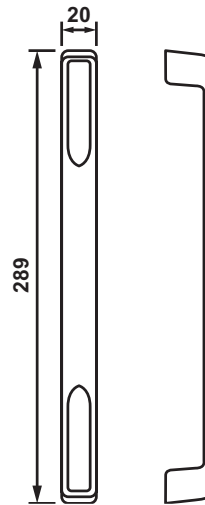
B

	Code	Description	Material	Mounting Holes
A	RH260	Pull handle. 310mm overall length with 260mm centres.	Stainless steel with brass base. Chrome plated finish.	Front mount. Cover to hide fixings.
B	L15	McDonalds locking assembly.	Stainless steel and nylon.	



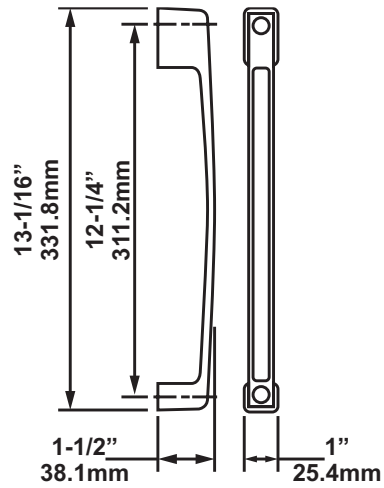


A

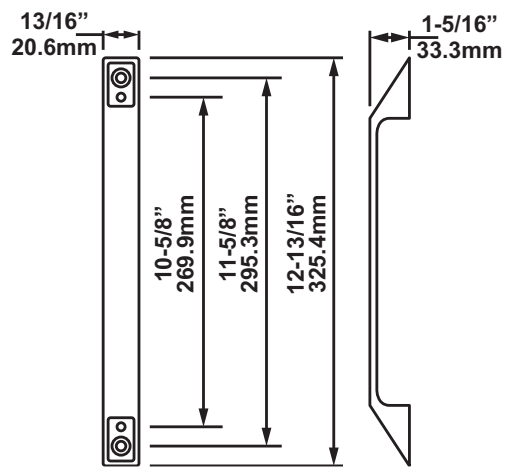


B

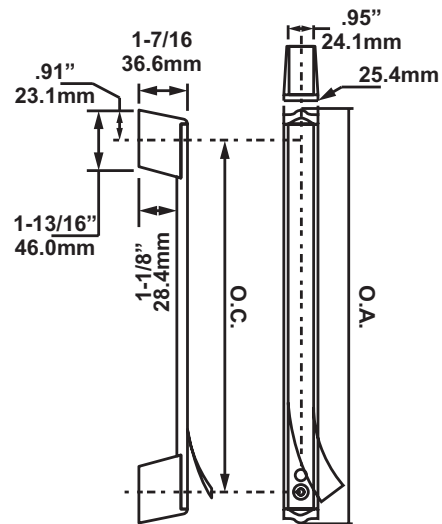
	Code	Description	Material	Mounting Holes
A	I-147	PVC door handle with white plastic fixing cover. 250mm long.	Plastic	Front mount 180mm centres.
B	AH-1500	Pull handle. 290mm long with 269mm centres.	Pressure die-cast zinc. Chrome plated.	Rear mount only. Internal ¼" BSW thread.



A

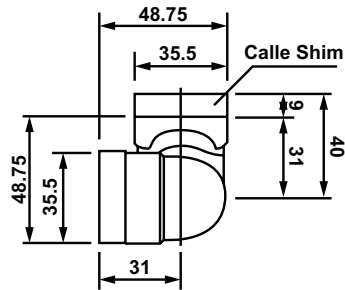
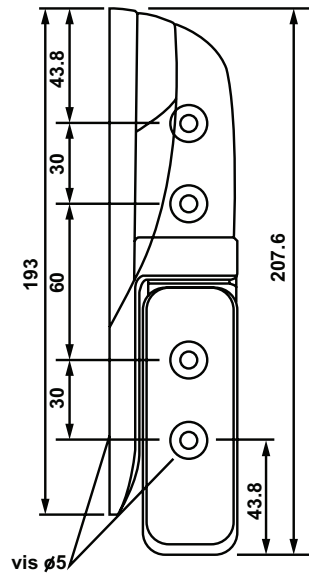


B



C

	Code	Description	Material	Mounting
A	K91104	Chrome decorator handle, 332mm.	Pressure die-cast zinc, chrome plated.	Rear mount holes tapped for 1/4" screws, front mounting holes tapped for 5mm screws. Chrome button covers hide front fixing holes.
B	K912-4	Sculptured handle chrome plate, 325mm.	Pressure die-cast zinc, chrome plated.	Front or rear tapped for 1/4" screws.
C	K915-55	Decorated handle, 327mm.	Aluminum and nylon.	Dual mount.

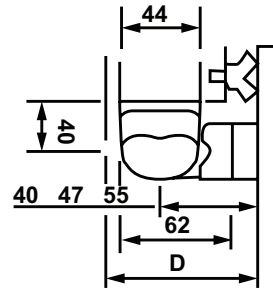
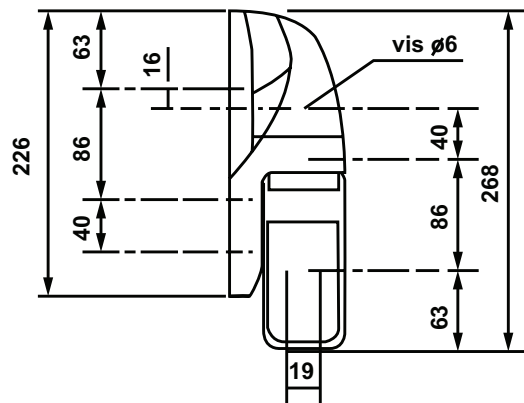


A

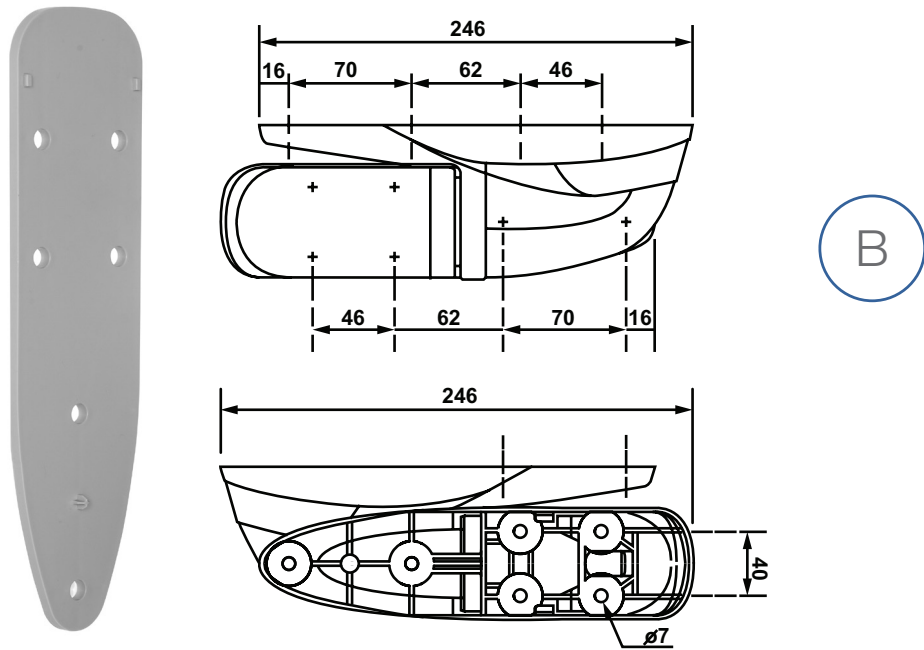
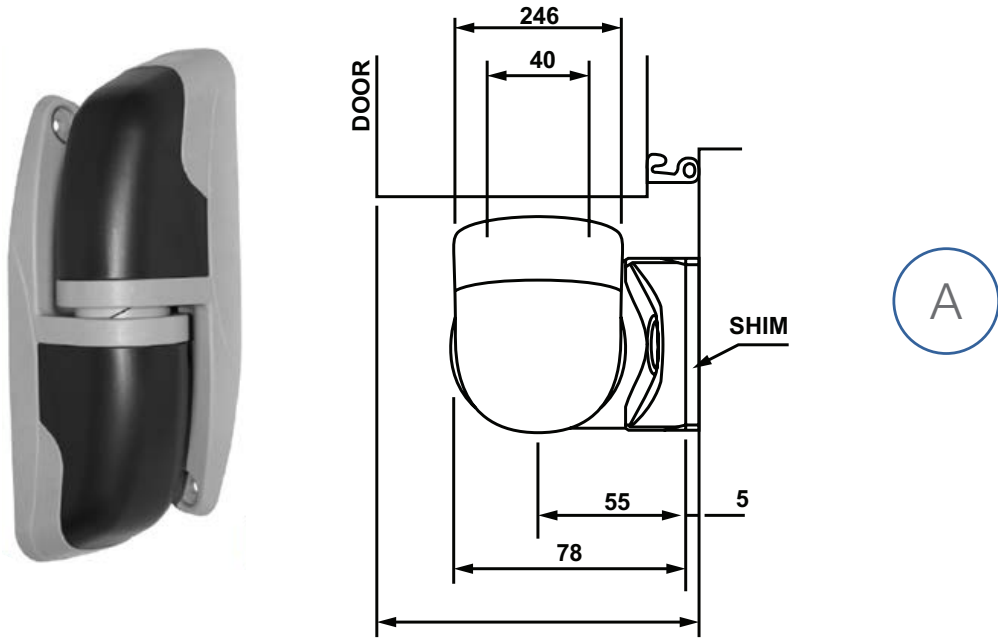


B

	Code	Descripton	Material	Mounting Holes
A	F473	Fermod adjustable cam rise hinge 40cm centre offset, for doors up to 40kg. Suitable for doors 48mm to 80mm thick including gasket. 180° opening. Adjustable on 3 dimensions, horizontal (+/- 2mm) and vertical (+/- 5mm). Interchangeable left or right.	Composite black and grey.	Drilled and countersunk for 5.0mm screws. Symmetrical, invisible and tamper proof.
B	F473SHIM	9mm hinge packer to suit F473 hinge.	Grey composite.	



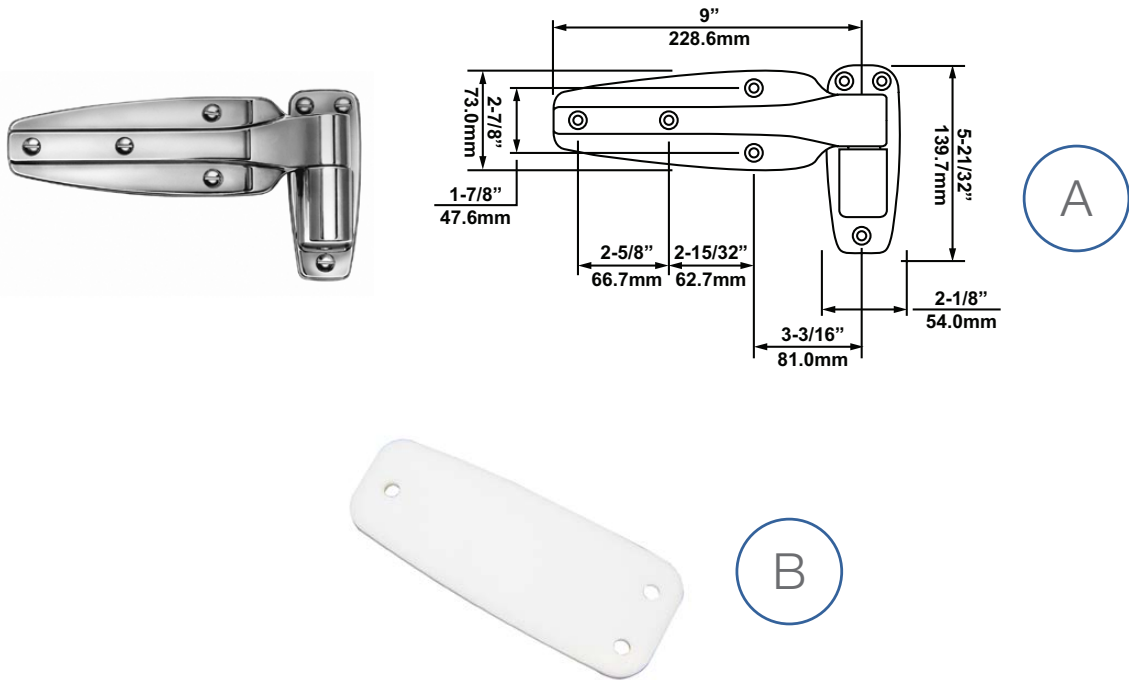
	Code	Description	Material	Mounting
A	F1573 - 40	Medium duty adjustable cam rise cool room hinge 40mm centre offset. Suitable for doors 62mm to 110mm thick including gasket. 180° opening. Adjustable on 2 dimensions, height (+/- 2mm) and width (+/- 2mm). Interchangeable left or right.	Composite with stainless steel pin.	Drilled and countersunk for 6.0mm screws. Symmetrical, invisible and tamper proof screws.
	F1573 - 47	Medium duty adjustable cam rise cool room hinge 47mm centre offset. Suitable for doors 62mm to 110mm thick including gasket. 180° opening. Adjustable on 2 dimensions, height (+/- 2mm) and width (+/- 2mm). Interchangeable left or right.	Composite with stainless steel pin.	Drilled and countersunk for 6.0mm screws. Symmetrical, invisible and tamper proof screws.
	F1573 - 55	Medium duty adjustable cam rise cool room hinge 55mm centre offset. Suitable for doors 62mm to 110mm thick including gasket. 180° opening. Adjustable on 2 dimensions, height (+/- 2mm) and width (+/- 2mm). Interchangeable left or right.	Composite with stainless steel pin.	Drilled and countersunk for 6.0mm screws. Symmetrical, invisible and tamper proof screws.



	Code	Descripton	Material	Mounting Holes
A	F1671	Fermod heavy duty adjustable cam rise hinge. For doors 88mm to 140mm thick including gasket. 180° opening. Maximum door weight 120kg. Interchangeable left or right.	Black and grey.	Drilled and countersunk for 6.0mm screws. Symmetrical, invisible and tamper proof screws.
B	F1671SHIM	5mm hinge packer for F1671 hinge.	Composite.	

# HINGED DOOR HARDWARE

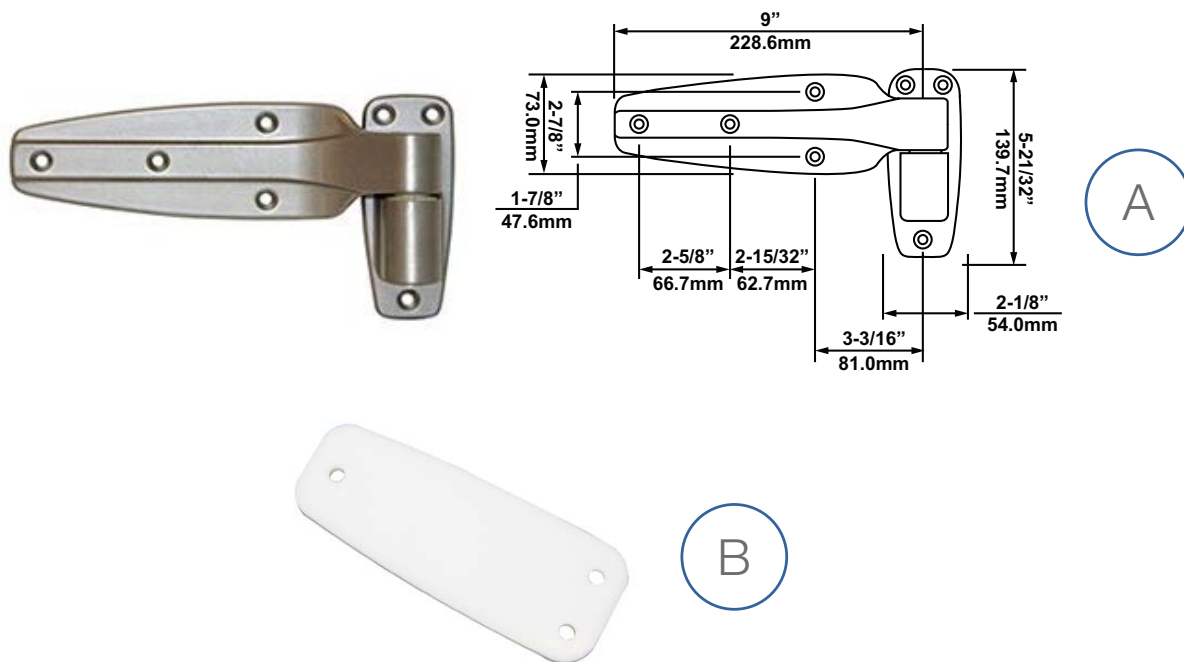
## Kason 1245 Series Cam Rise Hinges



	Code	Description	Material	Mounting
A	K1245000028	Kason self closing cam rise hinge Flush mount. Self lubricating nylon cam and built in dwell holds door open beyond 90°. Lift off and reversible.	Pressure die-cast zinc body. Nylon cam. Chrome plated.	Drilled and countersunk for 6.0mm screws.
	K1245000040	Kason self closing cam rise hinge. 28mm offset. Self lubricating nylon cam and built in dwell holds door open beyond 90°. Lift off and reversible.	Pressure die-cast zinc body. Nylon cam. Chrome plated.	Drilled and countersunk for 6.0mm screws.
	K1245000044	Kason self closing cam rise hinge. 32mm offset. Self lubricating nylon cam and built in dwell holds door open beyond 90°. Lift off and reversible.	Pressure die-cast zinc body. Nylon cam. Chrome plated.	Drilled and countersunk for 6.0mm screws.
	K1245000068	Kason self closing cam rise hinge. 38mm offset. Self lubricating nylon cam and built in dwell holds door open beyond 90°. Lift off and reversible.	Pressure die-cast zinc body. Nylon cam. Chrome plated.	Drilled and countersunk for 6.0mm screws.
	K1245000080	Kason self closing cam rise hinge. 48mm offset. Self lubricating nylon cam and built in dwell holds door open beyond 90°. Lift off and reversible.	Pressure die-cast zinc body. Nylon cam. Chrome plated.	Drilled and countersunk for 6.0mm screws.
B	K1245P6	K1245 hinge packer 6mm. Pre cut to suit K1245 hinge series.	Natural Acetal 6mm thick.	Mounted under hinge.
	K1245P2	K1245 hinge packer 2mm. Pre cut to suit K1245 hinge series.	Natural Acetal 2mm thick.	Mounted under hinge.

# HINGED DOOR HARDWARE

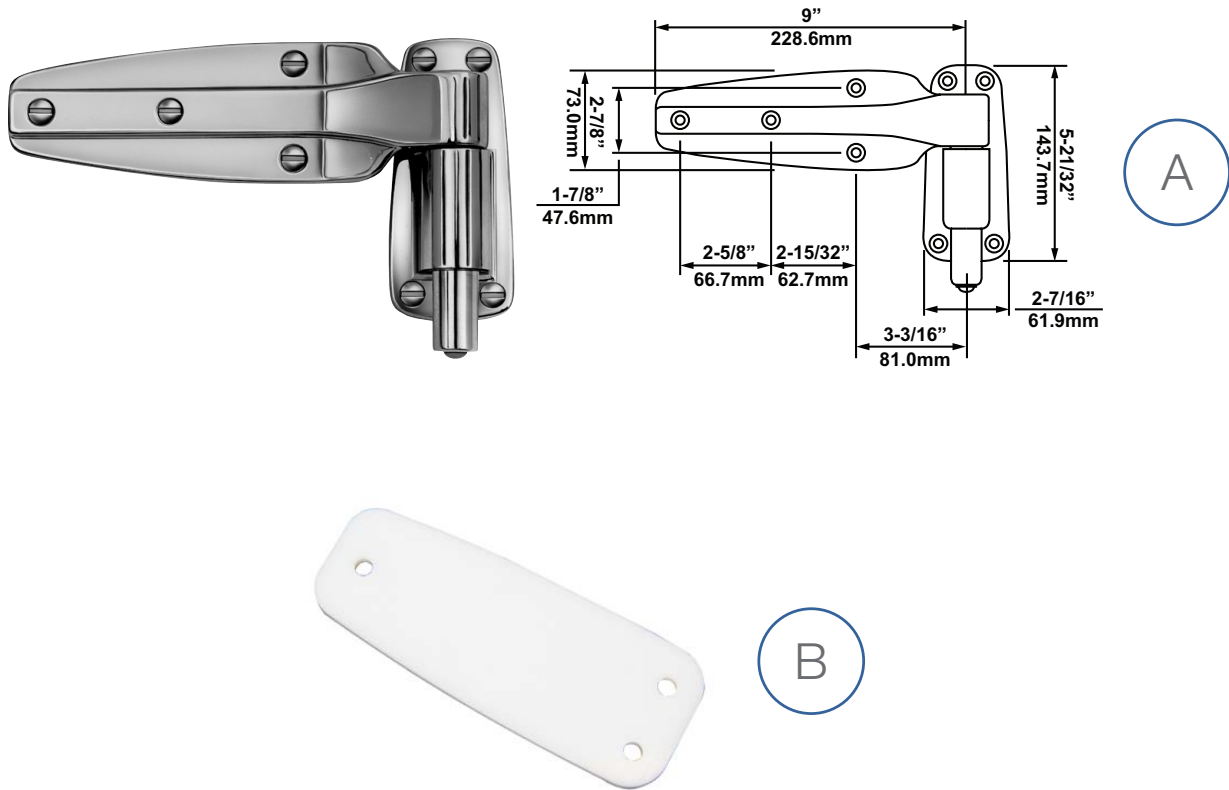
## Kason 1245T Series Cam Rise Hinges - Tuffkote



	Code	Description	Material	Mounting
A	K1245T00004	Kason self closing cam rise hinge. Flush mount. Self lubricating nylon cam and built in dwell holds door open beyond 90°. Lift off and reversible. Recommended for outdoor use.	Pressure die-cast zinc body. Nylon cam. Tuffkote - grey baked enamel.	Drilled and countersunk for 6.0mm screws.
	K1245T00016	Kason self closing cam rise hinge. 28.6mm offset. Self lubricating nylon cam and built in dwell holds door open beyond 90°. Lift off and reversible. Recommended for outdoor use.	Pressure die-cast zinc body. Nylon cam. Tuffkote - grey baked enamel.	Drilled and countersunk for 6.0mm screws.
	K1245T00020	Kason self closing cam rise hinge. 31.8mm offset. Self lubricating nylon cam and built in dwell holds door open beyond 90°. Lift off and reversible. Recommended for outdoor use.	Pressure die-cast zinc body. Nylon cam. Tuffkote - grey baked enamel.	Drilled and countersunk for 6.0mm screws.
	K1245T00064	Kason self closing cam rise hinge. 47.6mm offset. Self lubricating nylon cam and built in dwell holds door open beyond 90°. Lift off and reversible. Recommended for outdoor use.	Pressure die-cast zinc body. Nylon cam. Tuffkote - grey baked enamel.	Drilled and countersunk for 6.0mm screws.
B	K1245P6	K1245 hinge packer 6mm. Pre cut to suit K1245 hinge series.	Natural Acetal 6mm thick.	Mounted under hinge.
	K1245P2	K1245 hinge packer 2mm. Pre cut to suit K1245 hinge series.	Natural Acetal 2mm thick.	Mounted under hinge.

# HINGED DOOR HARDWARE

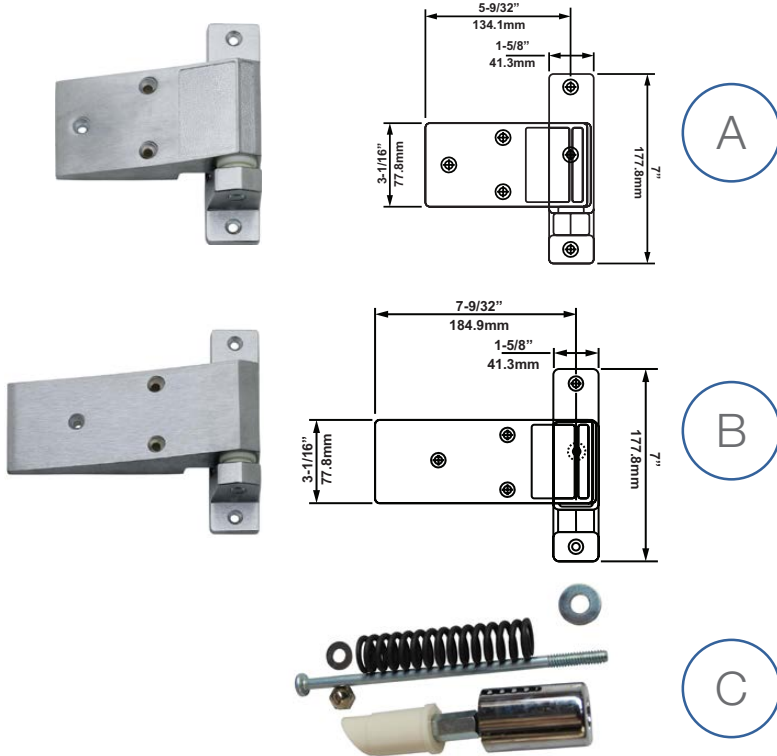
## Kason Cam-Rise Hinges



	Code	Description	Material	Mounting
A	K1248000004	Kason Cam-Rise spring assisted hinge. Flush mount. Self lubricating nylon cam and built in dwell holds door open beyond 90°. Reversible.	Pressure die-cast zinc. Nylon cam. Chrome plated.	Drilled and countersunk for 6.0mm screws.
	K1248000016	Kason Cam-Rise spring assisted hinge. 28mm offset. Self lubricating nylon cam and built in dwell holds door open beyond 90°. Reversible.	Pressure die-cast zinc. Nylon cam. Chrome plated.	Drilled and countersunk for 6.0mm screws.
	K1248000020	Kason Cam-Rise spring assisted hinge. 32mm offset. Self lubricating nylon cam and built in dwell holds door open beyond 90°. Reversible.	Pressure die-cast zinc. Nylon cam. Chrome plated.	Drilled and countersunk for 6.0mm screws.
	K1248000027	Kason Cam-Rise spring assisted hinge. 48mm offset. Self lubricating nylon cam and built in dwell holds door open beyond 90°. Reversible.	Pressure die-cast zinc. Nylon cam. Chrome plated.	Drilled and countersunk for 6.0mm screws.
B	K1245P6	K1245 hinge packer 6mm. Pre cut to suit K1245 hinge series.	Natural Acetal 6mm thick.	Mounted under hinge.
	K1245P2	K1245 hinge packer 2mm. Pre cut to suit K1245 hinge series.	Natural Acetal 2mm thick.	Mounted under hinge.







### FEATURES:

- Bold, contemporary style.
- Complements Kason Pacesetter locking handles.
- Economy and durability are built in.
- Strong, self-lubricating nylon cam delivers smooth, trouble free door operation.
- minimum effort.
- Patented cam-rise action reduces gasket wear, even with irregular floors.
- Built-in dwell holds door open beyond 90°.
- Doors lift off without disassembly or removing hinges.
- Hinges reverse in minutes without tools for use on right or left opening door.



1. Replace existing follower assembly with spring cartridge follower assembly.



2. Assemble spring cartridge.



3. Remove black plastic cap at top of strap and insert spring assembly into strap so that screw enters hole in cam.

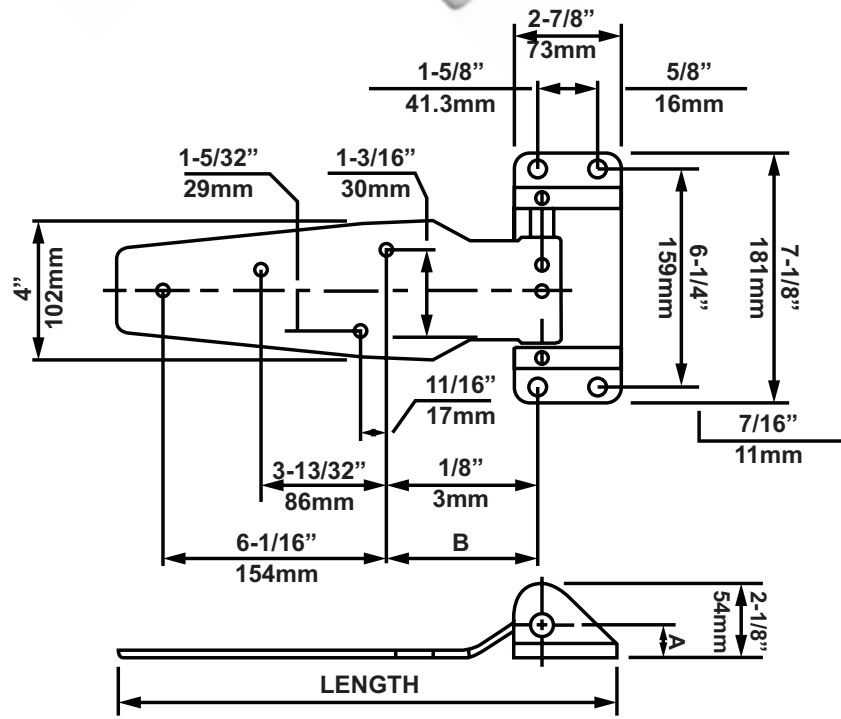
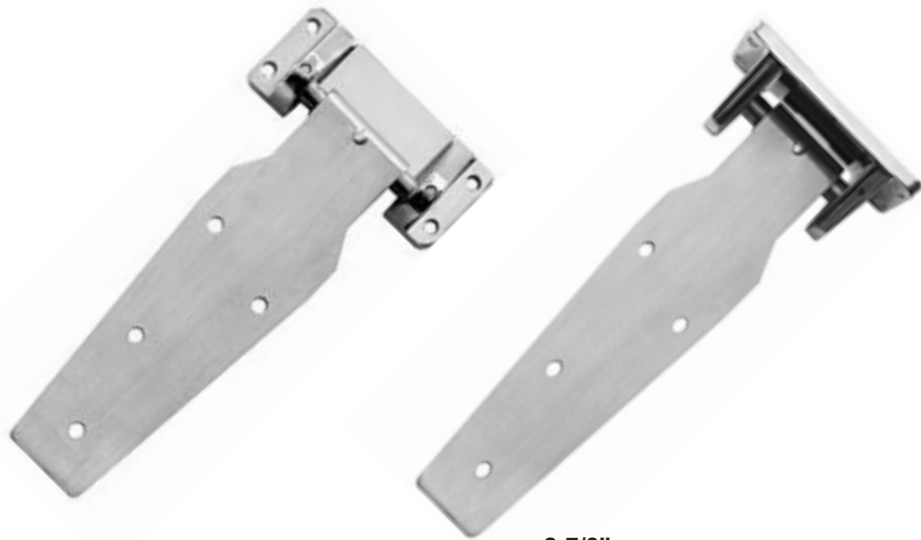


4. Drive screw through rod and secure with acorn nut.

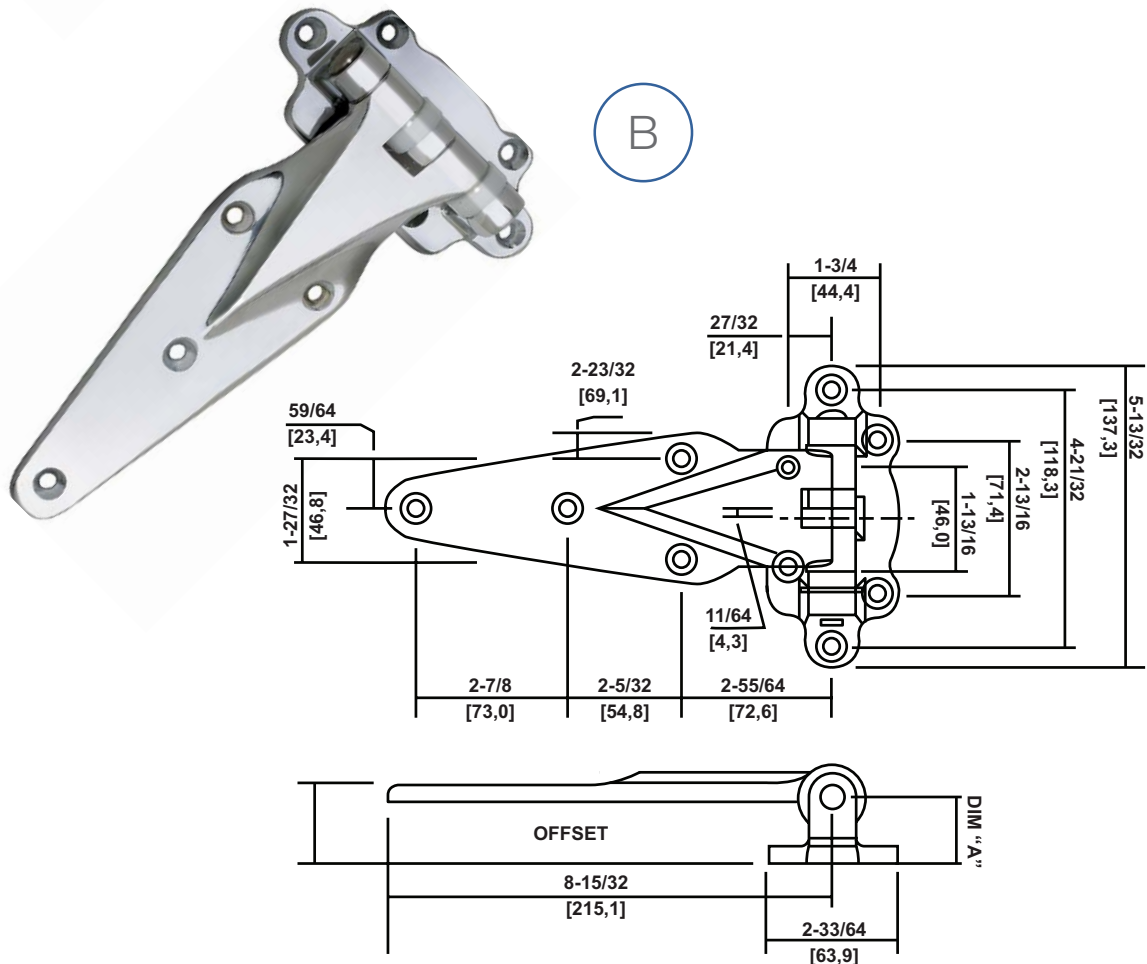
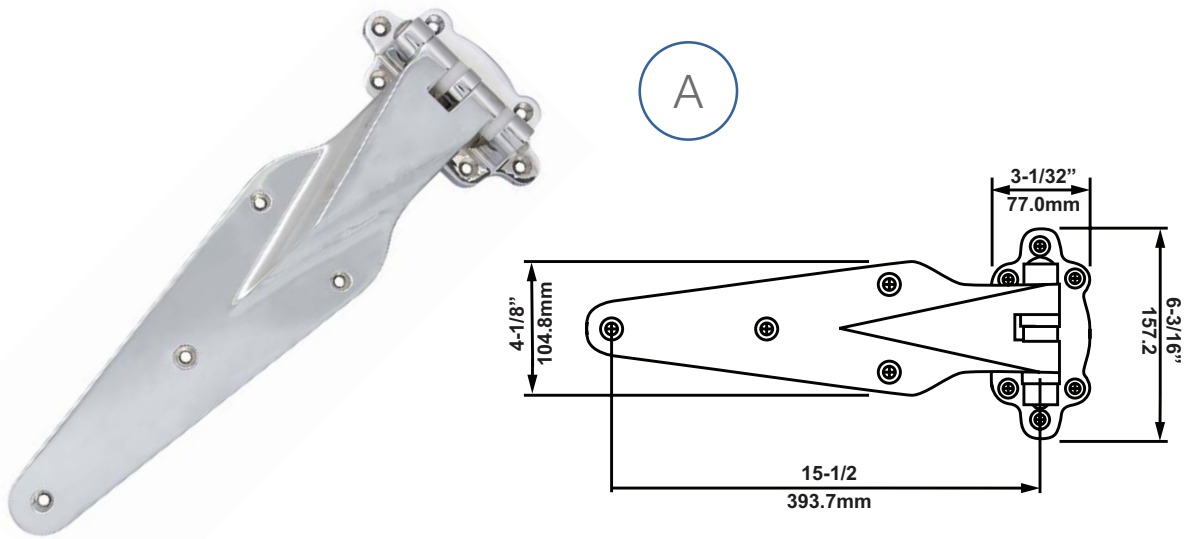
	Code	Description	Finish	Mounting
A	K1255V00004C	High pressure die-cast zinc with self-lubricating nylon cam. Offset: flush	Polished chrome.	Drilled and countersunk for 6.0mm (1/4") flat head screws.
B	K1256V00004C	High pressure die-cast zinc with self-lubricating nylon cam. Offset: flush	Polished chrome.	Drilled and countersunk for 6.0mm (1/4") flat head screws.
C	K1255000003	Kason Spring Kit for K1255 and K1256 Hinges. Converts K1255V00004C and K1256V00004C to spring assist for greater closing force.		

# HINGED DOOR HARDWARE

## Kason Heavy Duty Stainless Steel Hinges

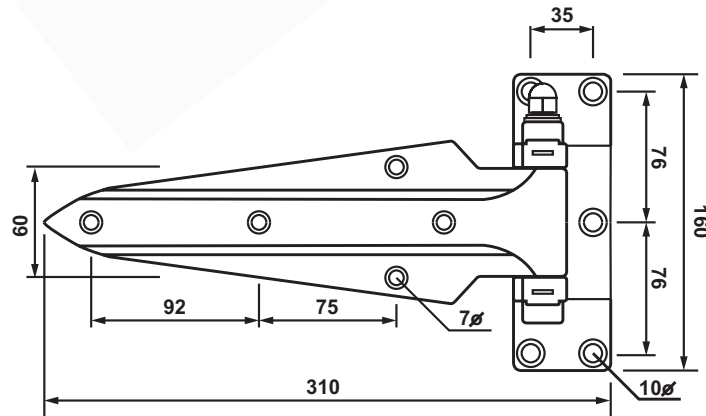


Code	Offset	Length	Dimension A	Dimension B
K1377S00004	Flush (0.0mm)	342.9mm (13 1/2")	23.8mm (15/16")	100.8mm (3 31/32")
K1377S00008	29mm (1 1/8")	346.1mm (13 21/32")	23.8mm (15/16")	104.0mm (4 3/32")
K1377S00018	45mm (1 3/4")	346.1mm (13 21/32")	33.3mm (15/16")	104.0mm (4 3/32")
Code	Description	Material	Mounting	
K1377S00004	Kason heavy duty stainless steel cam rise strap hinge. Flush. Precision mounted stainless steel cams. Reversible.	Polished 3/16 stainless steel.	Drilled for 10mm screws.	
K1377S00008	Kason heavy duty stainless steel cam rise strap hinge. 29mm offset. Precision mounted stainless steel cams. Reversible.	Polished 3/16 stainless steel.	Drilled for 10mm screws.	
K1377S00018	Kason heavy duty stainless steel cam rise strap hinge. 45mm offset (1 3/4"). Precision mounted stainless steel cams. Reversible.	Polished 3/16 stainless steel.	Drilled for 10mm screws.	



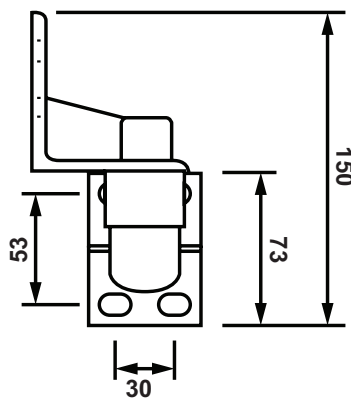
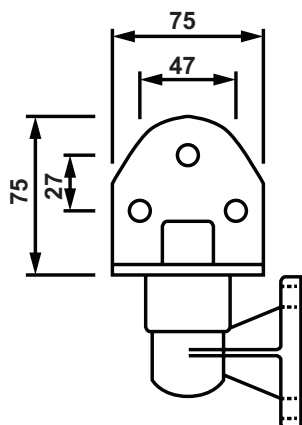
	Code	Description	Material
A	K1073000004	Kason extra heavy duty hinge, flush.	Forged Brass. Chrome plated.
B	K1037000044	Kason forged brass hinge - 28.6mm offset.	Brass. Chrome plated.

HINGED DOOR HARDWARE  
Non-Rise Cool Room Door Hinge

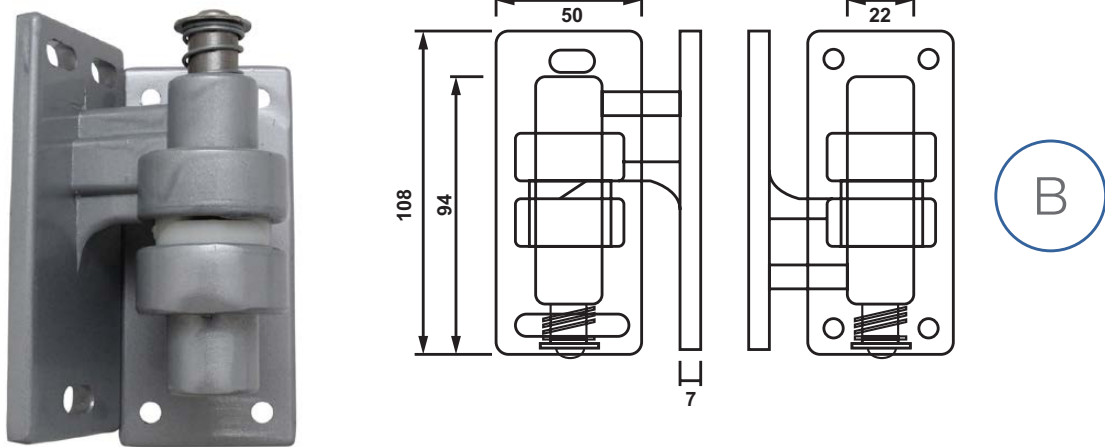
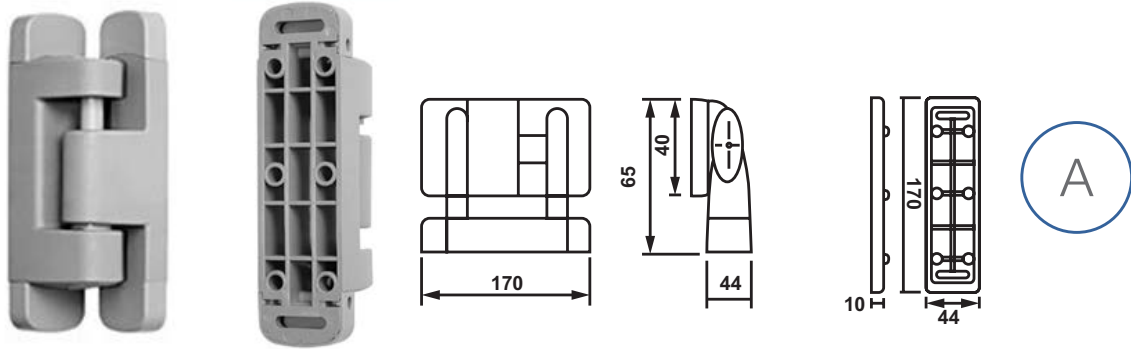


Code	Description	Material	Mounting
AH-1450	Non-rise cool room door hinge. 32mm to 46mm adjustable offset.	High pressure die-cast zinc. Chrome plated.	Drilled and countersunk for 6.0mm screws.
AH-1460	Non-rise cool room door hinge. 42mm to 60mm adjustable offset.	High pressure die-cast zinc. Chrome plated.	Drilled and countersunk for 6.0mm screws.
AH-1470	Non-rise cool room door hinge. 54mm to 70mm adjustable offset.	High pressure die-cast zinc. Chrome plated.	Drilled and countersunk for 6.0mm screws.





Code	Description	Material	Mounting
R1080G	Rota-cam rise cool room hinge. Interchangeable left or right.	Pressure die-cast aluminium. Nylon cam. Grey.	Drilled for 9.0mm screws.
R1080W	Rota-cam rise cool room hinge. Interchangeable left or right.	Pressure die-cast aluminium. Nylon cam. White.	Drilled for 9.0mm screws.

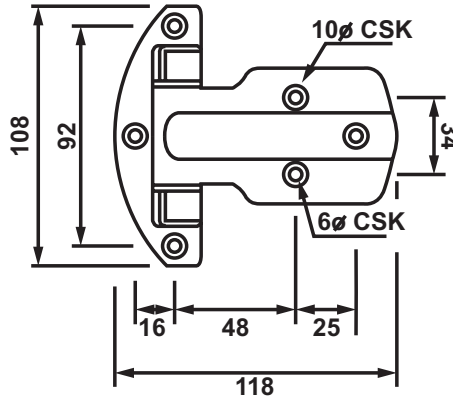


	Code	Description	Material	Mounting Holes
A	I-34-I-01	Adjustable cam rise cool room hinge. Vertical adjustable.	Composite. Grey.	Drilled for 5.0mm screws.
B	HG01	Spring loaded self closing hinge. Interchangeable left or right.	Pressure die-cast zinc.	Drilled for 6mm screws.

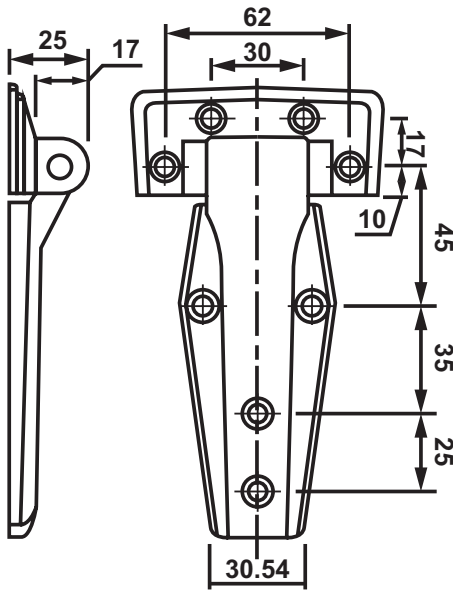




Code	Description	Material	Mounting
K1398000012	Kason edgemount heavy duty cam-rise hinge, 63.5mm to 89mm offset.	High pressure die-cast zinc, nylon cam. Chrome.	Drilled for 9.5mm series.



A



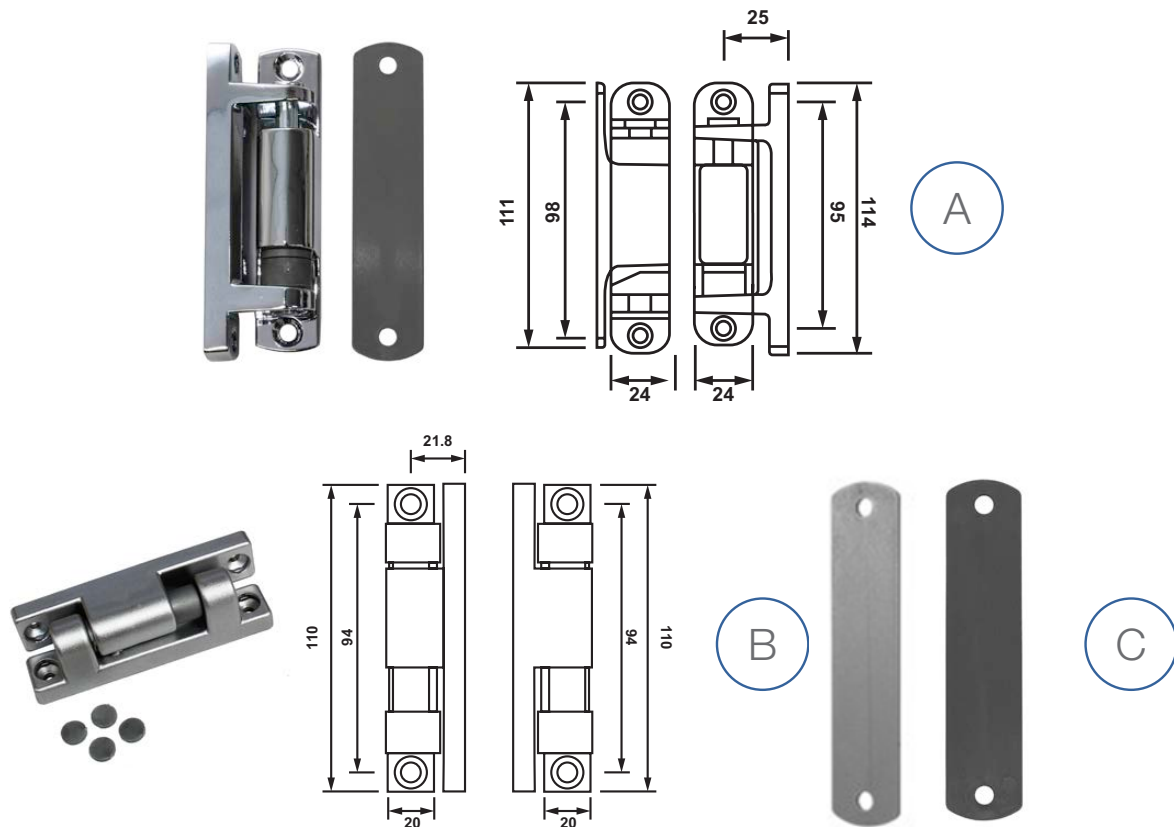
B

	Code	Description	Material	Mounting Holes
A	CRH40X	CRH adjustable hinge. 19.0mm to 25.0mm adjustable offset.	Pressure die-cast zinc. Chrome plated.	Drilled for 5.0mm screws.
B	AH-714	Flush cabinet hinge. 145mm long.	Die-cast aluminium. Chrome plated.	Drilled for 5.0mm screws.

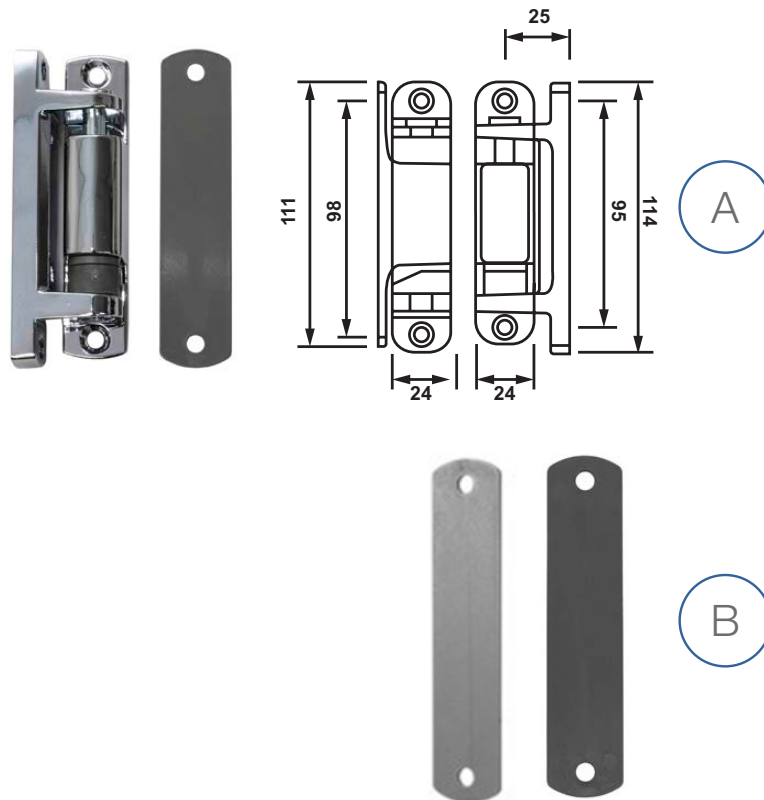


# HINGED DOOR HARDWARE

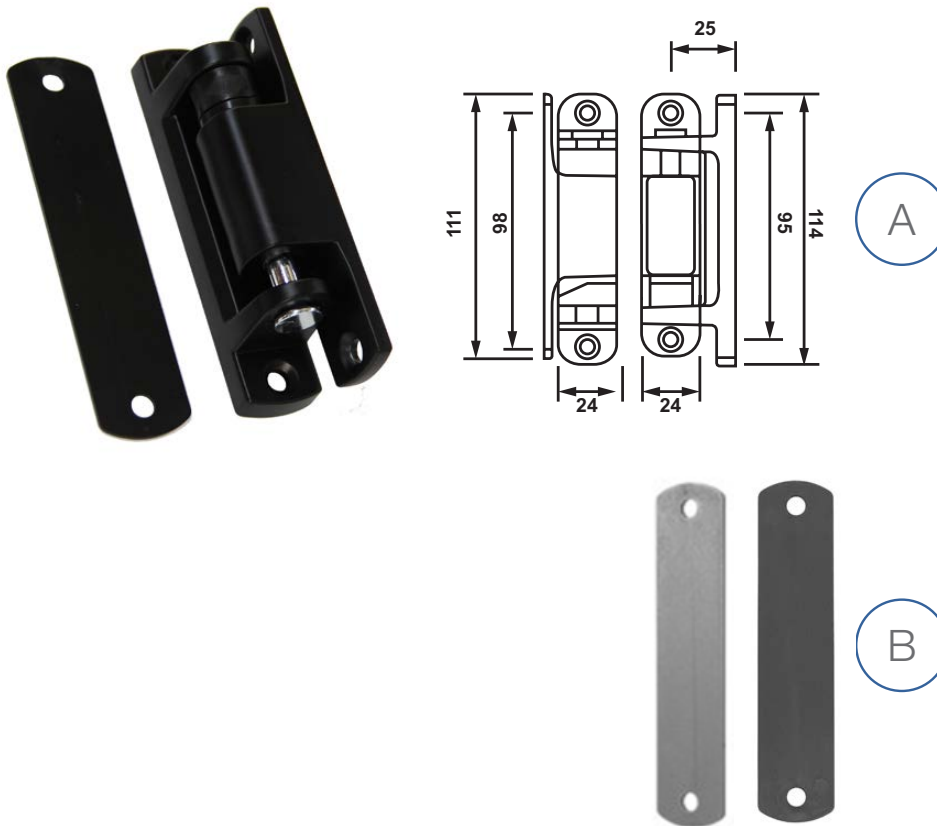
## Self Closing Hinges – Mild Steel Pin



	Code	Description	Material	Mounting Holes
A	P11ZRHMSPIN	CRH P11 cam-rise self closing hinge, right hand, with packer.	Pressure die-cast zinc, mild steel pin, chrome plated.	Drilled for 5.0mm screws.
	P11ZRHMSPINK	CRH P11 cam-rise self closing hinge set (pair), right hand, with packer.	Pressure die-cast zinc, mild steel pin, chrome plated.	Drilled for 5.0mm screws.
	P11ZRHMSPIN-50	CRH P11 cam-rise self closing hinge, right hand, with packer. Box of 50	Pressure die-cast zinc, mild steel pin, chrome plated.	Drilled for 5.0mm screws.
	P11ZLHMSPIN	CRH P11 cam-rise self closing hinge, left hand, with packer.	Pressure die-cast zinc, mild steel pin, chrome plated.	Drilled for 5.0mm screws.
	P11ZLHMSPINK	CRH P11 cam-rise self closing hinge set (pair), left hand, with packer.	Pressure die-cast zinc, mild steel pin, chrome plated.	Drilled for 5.0mm screws.
	P11ZLHMSPIN-50	CRH P11 cam-rise self closing hinge, left hand, with packer. Box of 50.	Pressure die-cast zinc, mild steel pin, chrome plated.	Drilled for 5.0mm screws.
B	P12-LHS	CRH P12 spring loaded cam-rise hinge, left hand, mild steel pin.	Composite.	Drilled for 4.0mm screws.
	P12-RHS	CRH P12 spring loaded cam-rise hinge, right hand, mild steel pin.	Composite.	Drilled for 4.0mm screws.
C	HP SILVER	P11 hinge packer (2mm) silver.	Nylon.	
	HP BLACK	P11 hinge packer (2mm) black.	Nylon	



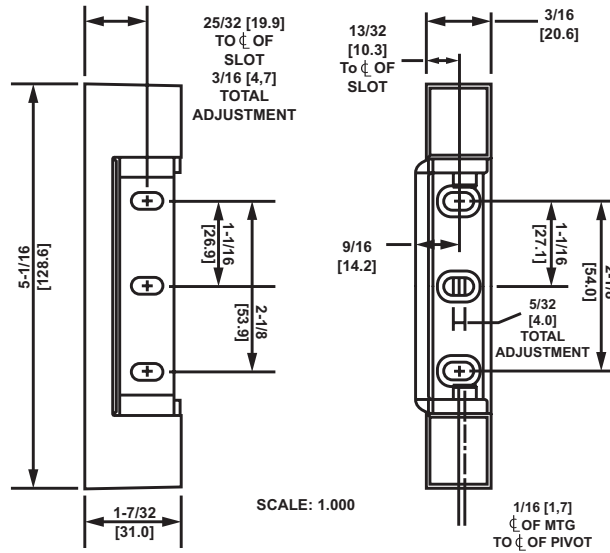
	Code	Description	Material	Mounting Holes
A	P11ZRHSSPIN	CRH P11 cam-rise self closing hinge, right hand, with packer.	Pressure die-cast zinc. Chrome plated. Stainless steel pin.	Drilled for 5.0mm screws.
	P11ZRHSSPINK	CRH P11 cam-rise self closing hinge set (pair), right hand, with packer.	Pressure die-cast zinc. Chrome plated. Stainless steel pin.	Drilled for 5.0mm screws.
	P11ZRHSSPIN-50	CRH P11 cam-rise self closing hinge, right hand, with packer. Box of 50.	Pressure die-cast zinc. Chrome plated. Stainless steel pin.	Drilled for 5.0mm screws.
	P11ZLHSSPIN	CRH P11 cam-rise self closing hinge, left hand, with packer.	Pressure die-cast zinc. Chrome plated. Stainless steel pin.	Drilled for 5.0mm screws.
	P11ZLHSSPINK	CRH P11 cam-rise self closing hinge set (pair), left hand, with packer.	Grey nylon.	
	P11ZLHSSPIN-50	CRH P11 cam-rise self closing hinge, left hand, with packer. Box of 50.	Black nylon.	
B	HP SILVER	P11 hinge packer (2mm) silver.	Nylon	
	HP BLACK	P11 hinge packer (2mm) black.	Nylon	



	Code	Description	Material	Mounting Holes
A	P11ZLHMSB	CRH P11 cam-rise self closing hinge, left hand, black, with packer.	Pressure die-cast zinc, mild steel pin, black powder coat.	Drilled for 5.0mm screws.
	P11ZLHMSBK	CRH P11 cam-rise self closing hinge set (pair), left hand, black, with packer.	Pressure die-cast zinc, mild steel pin, black powder coat.	Drilled for 5.0mm screws.
	P11ZLHMSB-50	CRH P11 cam-rise self closing hinge, left hand, black, with packer. Box of 50.	Pressure die-cast zinc, mild steel pin, black powder coat.	Drilled for 5.0mm screws.
	P11ZRHMSB	CRH P11 cam-rise self closing hinge, right hand, black, with packer.	Pressure die-cast zinc, mild steel pin, black powder coat.	Drilled for 5.0mm screws.
	P11ZRHMSBK	CRH P11 cam-rise self closing hinge set (pair), right hand, black, with packer.	Pressure die-cast zinc, mild steel pin, black powder coat.	Drilled for 5.0mm screws.
	P11ZRHMSB-50	CRH P11 cam-rise self closing hinge, right hand, black, with packer. Box of 50.	Pressure die-cast zinc, mild steel pin, black powder coat.	Drilled for 5.0mm screws.
B	HP SILVER	P11 hinge packer (2mm) silver.	Nylon.	
	HP BLACK	P11 hinge packer (2mm) black.	Nylon.	

# HINGED DOOR HARDWARE

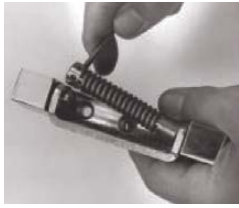
## Kason Edgemount Hinges



A



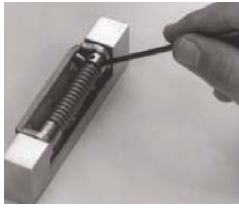
1. Assemble spring cartridge as shown



2. Slip bushing over hexagon pin on mounted hinge, then insert adjustment pin into adjustment bushing assembly



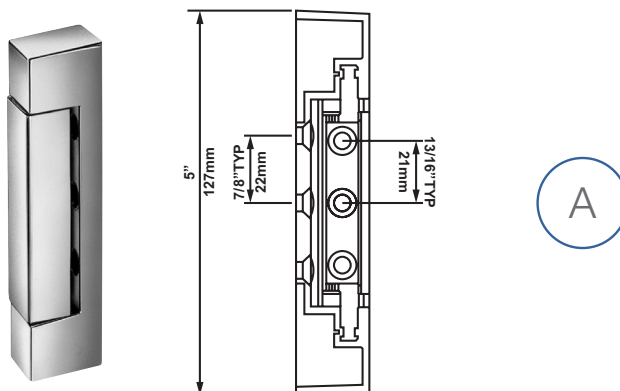
3. Grasping adjustment pin, compress spring and place adjustment bushing assembly over round pin



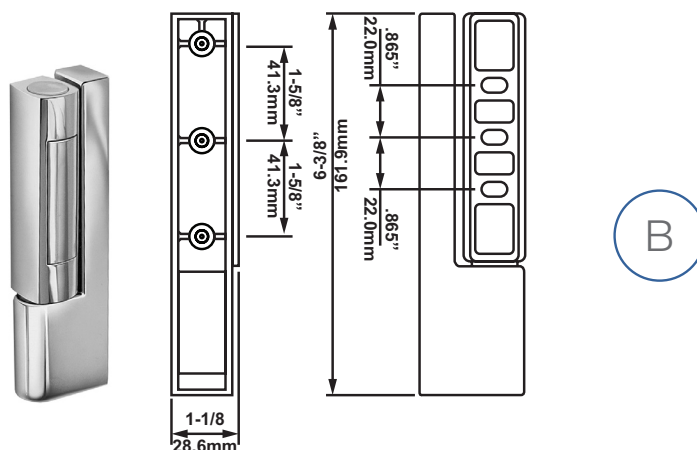
4. Adjust tension, then insert stop pin in hole of adjustment bushing assembly

B

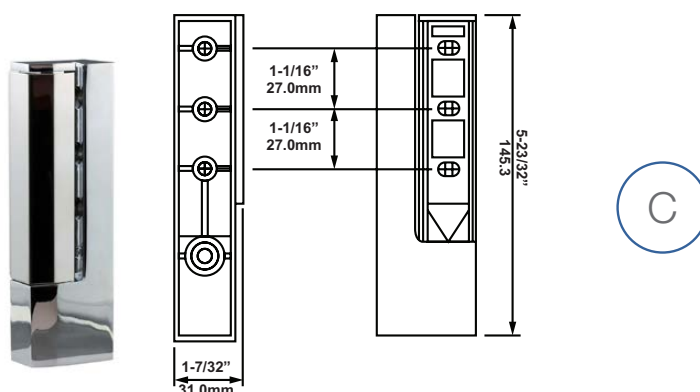
	Code	Descripton	Material	Mounting Holes
A	K1216	Kason non-rise adjustable edgemount hinge 29mm offset. Offset adjusts 4.8mm in-and-out to compensate for gasket compression as needed.	High pressure die-cast zinc flange and adjustment plate, steel strap, stainless steel cover.	Drilled for 5.5mm screws.
B	K1216SK	Spring cartridge kit to suit K1216.	Steel.	



A

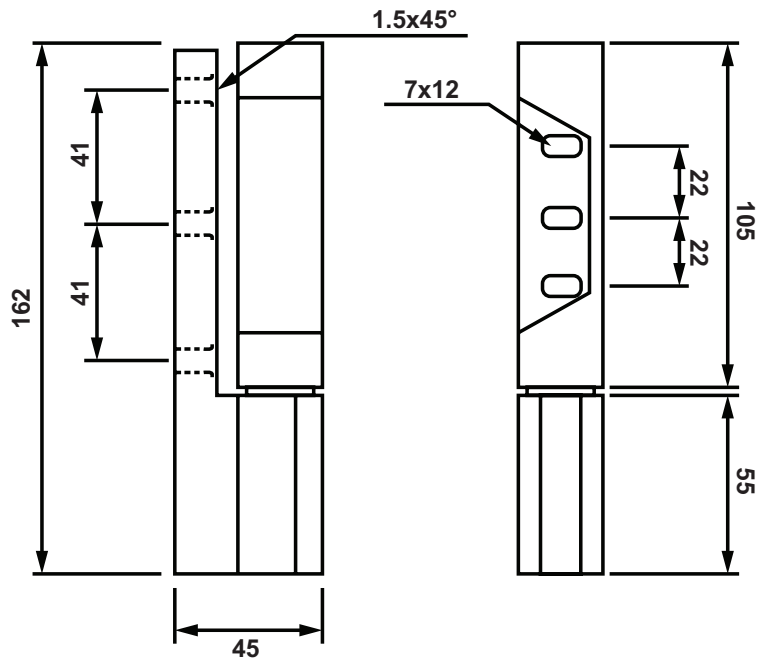


B



C

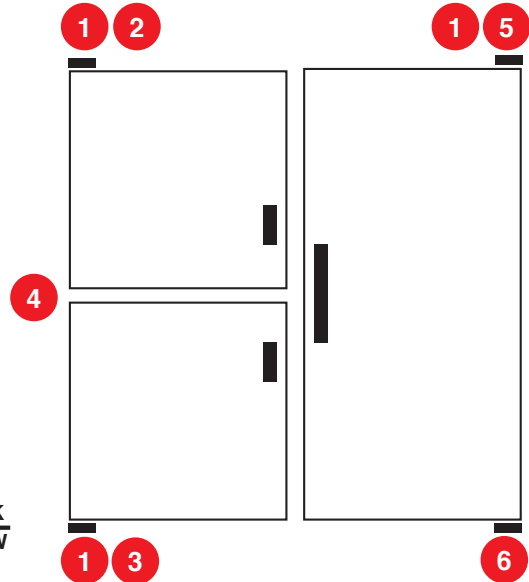
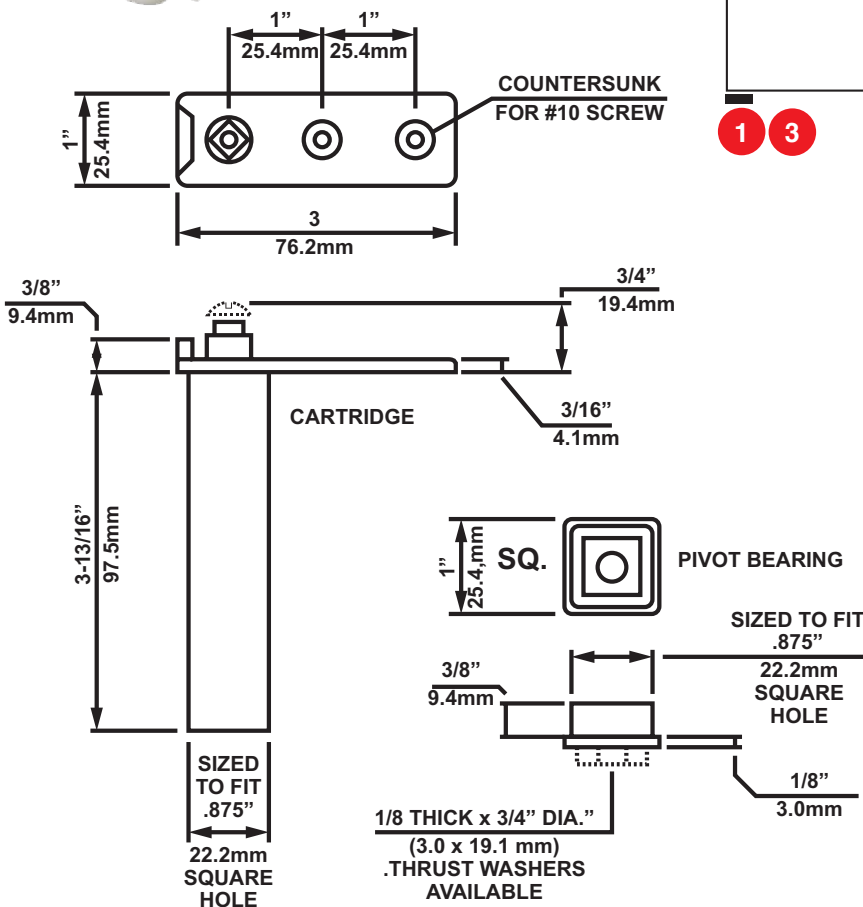
Code	Description	Material	Mounting
A K1219	Kason non-rise adjustable edgemount hinge, 22.2mm offset. Offset adjusts 3.2mm in-and-out to compensate for gasket compression as needed.	Pressure die-cast zinc,chrome plated.	Drilled for 5.5mm screws.
B K1257008	Kason edgemount spring hinge. Self-closing hinge, built-in dwell holds door open 93°. Adjusts for gasket compression. Reversible for right or left opening door. 44.5mm to 60.3mm offset	Pressure die-cast zinc,chrome plated.	Drilled for 5.5mm head screws.
C K1367R016	Kason edgemount cam-rise self closing hinge. Reversible right or left hand opening door. Lift off feature allows door to be removed for cleaning or service with the hinges in place. 41.3mm to 60.3mm offset with 4.8mm adjustment.	Pressure die-cast zinc,chrome plated.	Flange and strap drilled and countersunk for 5.5mm flat head screws.



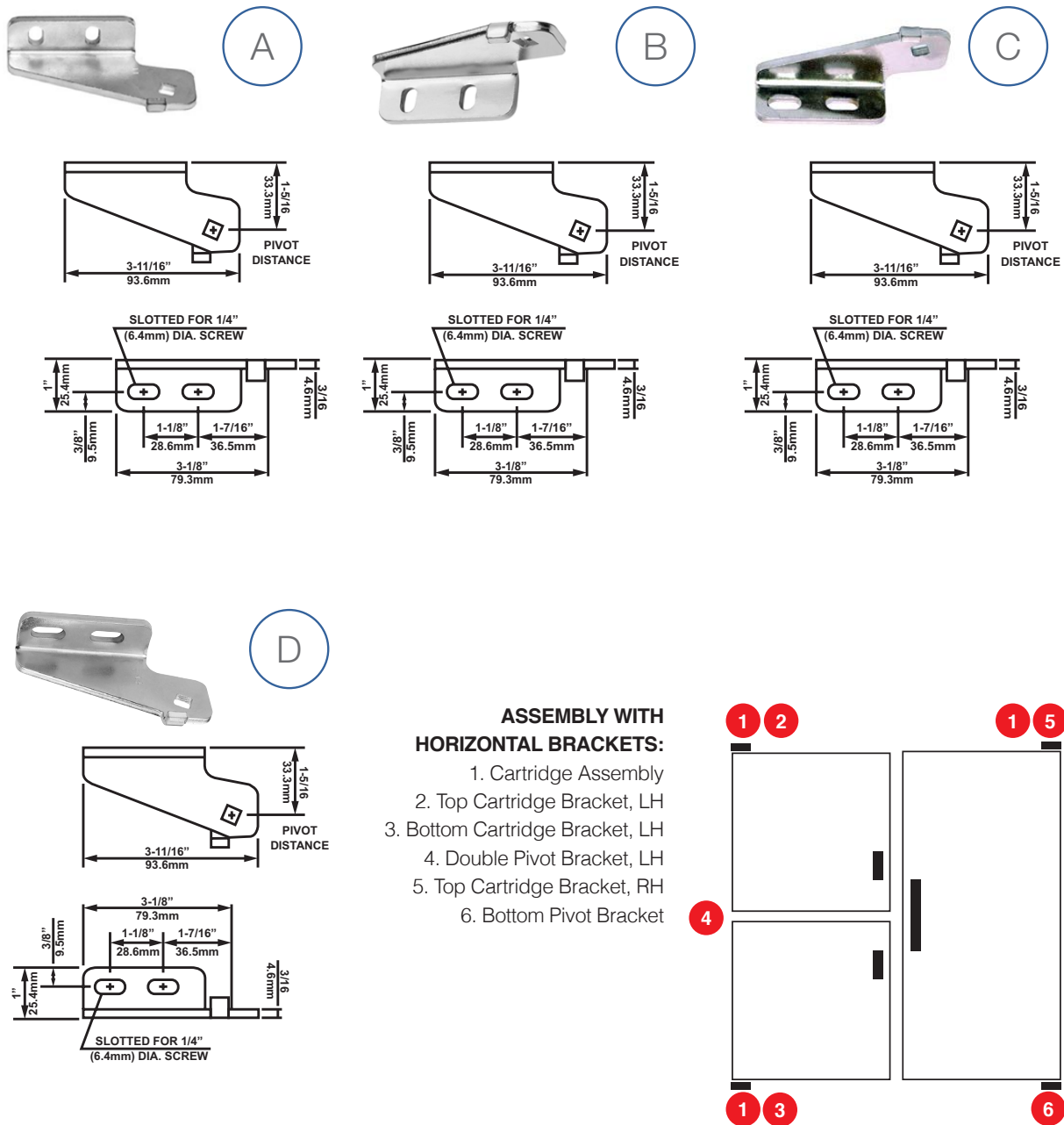
Code	Description	Material	Mounting
AH-1132	Edgemount cam rise self closing hinge. 32mm offset.	High pressure die-cast zinc. Chrome plated.	Drilled for 6.0mm screws.

**ASSEMBLY WITH HORIZONTAL BRACKETS:**

1. Cartridge Assembly
2. Top Cartridge Bracket, LH
3. Bottom Cartridge Bracket, LH
4. Double Pivot Bracket, LH
5. Top Cartridge Bracket, RH
6. Bottom Pivot Bracket

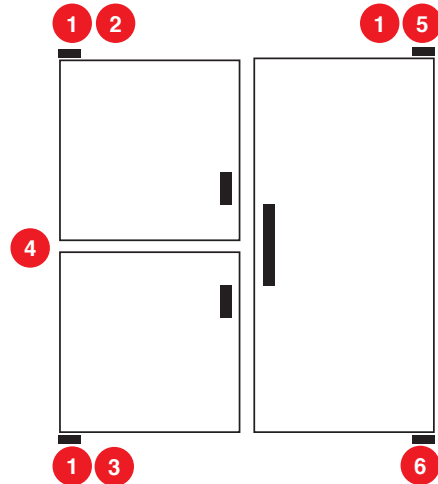


Code	Description	Material	Mounting Holes
K155604	Spring cartridge assembly. Standard clearance, 120° stop. For doors weighing up to 27kg (59lbs). <span style="color: red; font-weight: bold;">1</span>	Die-cast zamak case and upper cam. Nylon lower cam and pivot bearing. Chrome plated.	Countersunk for 5.0mm screws



**ASSEMBLY WITH  
HORIZONTAL BRACKETS:**

1. Cartridge Assembly
2. Top Cartridge Bracket, LH
3. Bottom Cartridge Bracket, LH
4. Double Pivot Bracket, LH
5. Top Cartridge Bracket, RH
6. Bottom Pivot Bracket

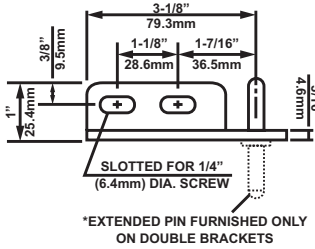
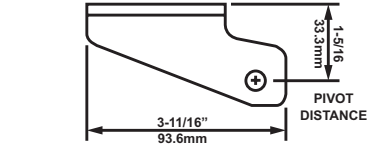


	Code	Description		Material	Mounting Holes
A	K1556011	Top left hand cartridge bracket.	2	Steel. Chrome plated	Slotted for 6.4mm screws.
B	K1556012	Top right hand cartridge bracket.	5	Steel. Chrome plated	Slotted for 6.4mm screws.
C	K1556013	Bottom left hand cartridge bracket.	3	Steel. Chrome plated	Slotted for 6.4mm screws.
D	K1556014	Bottom right hand cartridge bracket.	6	Steel. Chrome plated	Slotted for 6.4mm screws.

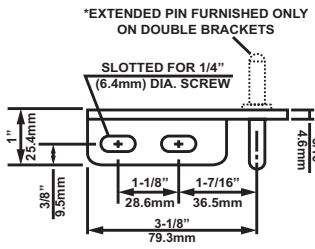
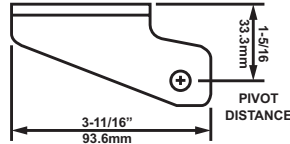




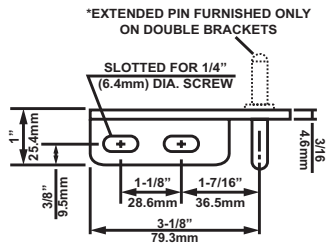
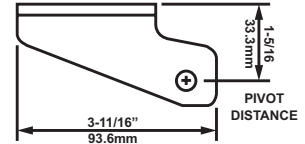
A



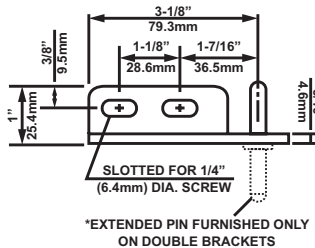
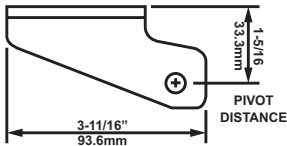
B



C

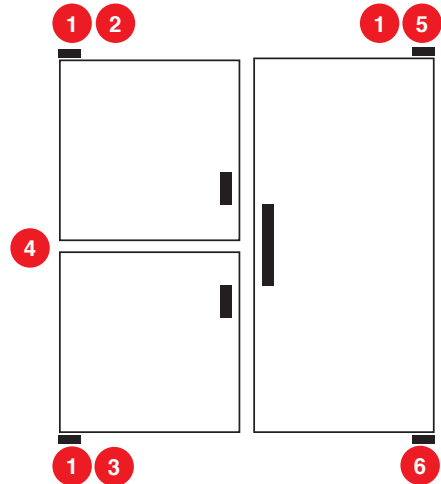


D

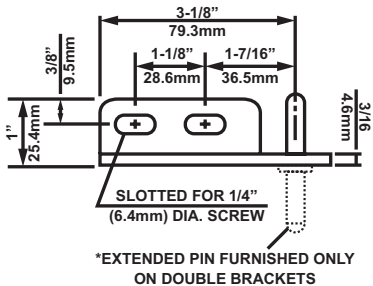
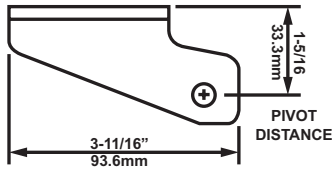
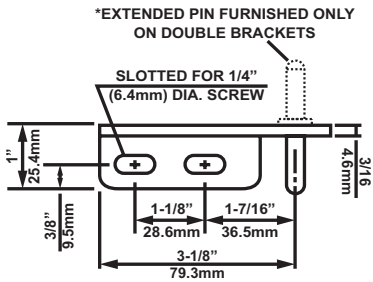
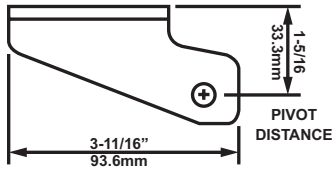


**ASSEMBLY WITH HORIZONTAL BRACKETS:**

1. Cartridge Assembly
2. Top Cartridge Bracket, LH
3. Bottom Cartridge Bracket, LH
4. Double Pivot Bracket, LH
5. Top Cartridge Bracket, RH
6. Bottom Pivot Bracket

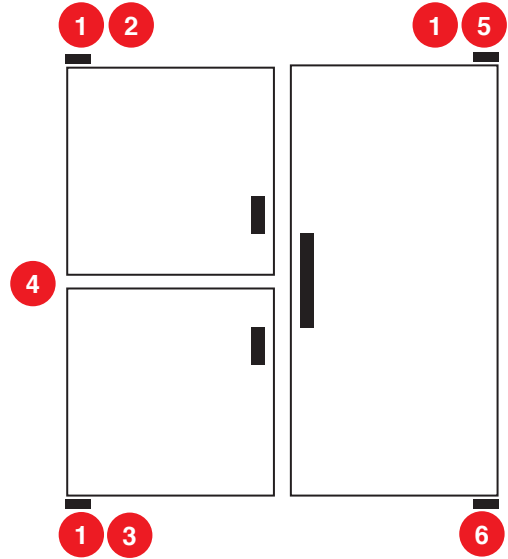


	Code	Description		Material	Mounting Holes
A	K1556021	Top left hand pivot bracket.	2	Steel. Chrome plated	Slotted for 6.4mm screws.
B	K1556022	Top right hand pivot bracket.	5	Steel. Chrome plated	Slotted for 6.4mm screws.
C	K1556023	Bottom left hand pivot bracket.	3	Steel. Chrome plated	Slotted for 6.4mm screws.
D	K1556024	Bottom right hand pivot bracket.	6	Steel. Chrome plated	Slotted for 6.4mm screws.



**ASSEMBLY WITH HORIZONTAL BRACKETS:**

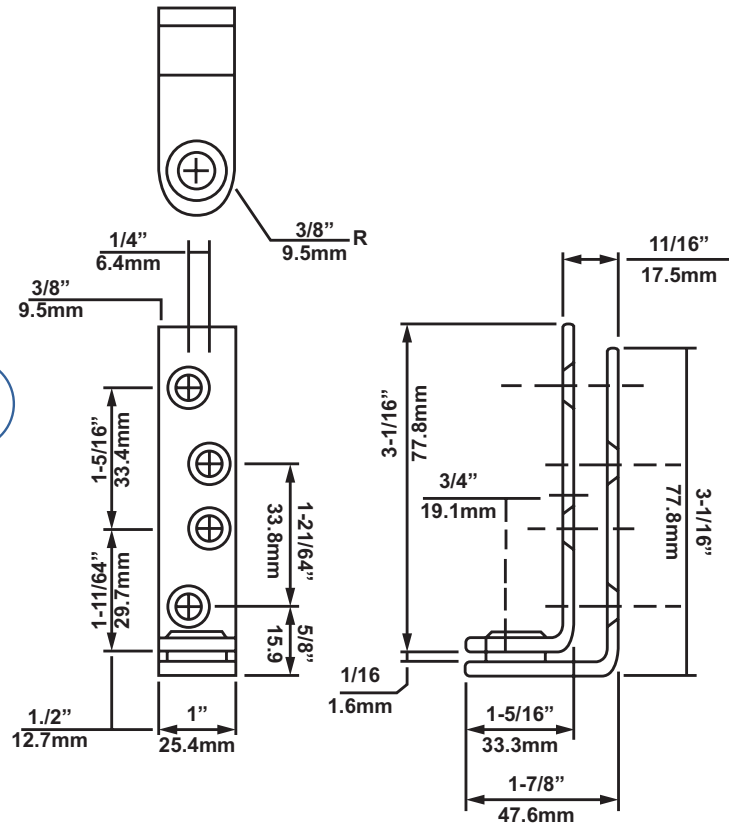
1. Cartridge Assembly
2. Top Cartridge Bracket, LH
3. Bottom Cartridge Bracket, LH
4. Double Pivot Bracket, LH
5. Top Cartridge Bracket, RH
6. Bottom Pivot Bracket



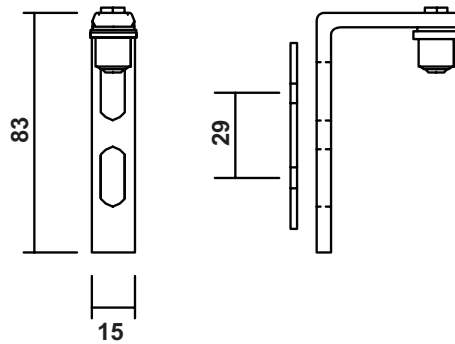
Code	Description	Material	Mounting Holes
A	Double left hand pivot bracket.	Steel. Chrome plated	Slotted for 6.4mm screws.
B	Double right hand pivot bracket.	Steel. Chrome plated	Slotted for 6.4mm screws.



A



B



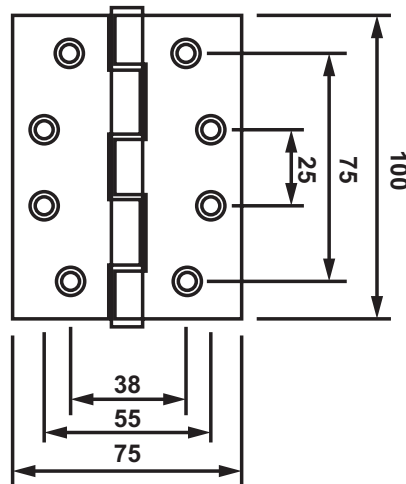
	Code	Description	Material	Mounting Holes
A	K7305-76	Kason stainless steel pivot hinge.	Stainless steel.	Drilled for 5.0mm screws.
B	R183	Pivot hinge.	Mild steel. Chrome plated.	Drilled for 6.0mm screws.



A



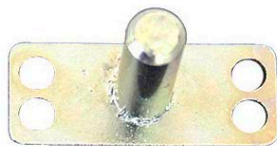
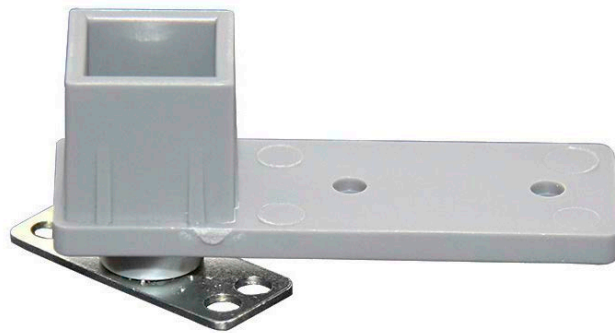
B



C

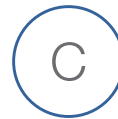
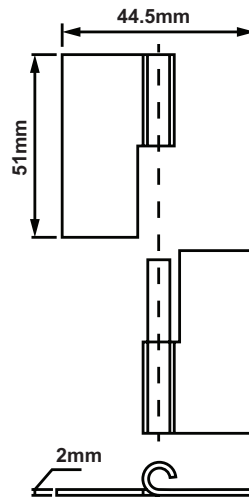
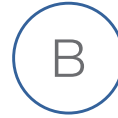
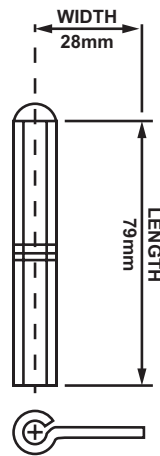
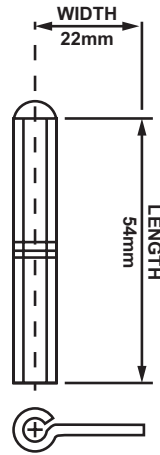
	Code	Description	Material	Mounting Holes
A	I-36-D	Horizontal door hinge - no spring. Suitable for chest fridges.	Zinc with PCV cover.	Slotted for 6.4mm screws.
B	I-36-D02	Horizontal door hinge - no spring. Suitable for chest fridges / Cool Box.	Zinc with PCV cover.	Slotted for 6.4mm screws.
C	80149S	Stainless steel butt hinge fixed pin. 100mm x 75mm x 2.5mm. Screws included.	Stainless steel. (804)	Drilled for 5.0mm screws.





Code	Description	Material
WRPK	Williams Refrigeration top pivot pin and nylon pivot retainer. Williams Refrigeration pivot kit can be used with the KASON K155604 cartridge hinge.	Steel and nylon.

HINGED DOOR HARDWARE  
Kason Stainless Steel Lift-Off Hinge



	Code	Description	Material
A	K730704	Kason lift-off flag hinge, 54mm.	Stainless steel (304).
B	K730706	Kason lift-off flag hinge, 79mm.	Stainless steel (304).
C	7306L00004	Kason lift-off flag hinge, left hand 50mm.	Stainless steel (304).
	7306R00004	Kason lift-off flag hinge, right hand 50mm.	Stainless steel (304).
	7306L00006	Kason lift-off flag hinge, left hand 76mm.	Stainless steel (304).
	7306R00006	Kason lift-off flag hinge, right hand 76mm.	Stainless steel (304).



A



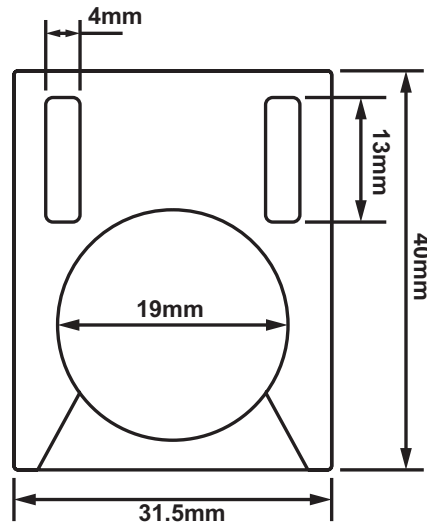
B

	Code	Description	Material
A	7304000010	Kason latch hinge 69.9mm.	Stainless steel (304).
B	7304000008	Kason latch hinge 50.8 mm.	Stainless steel (304).

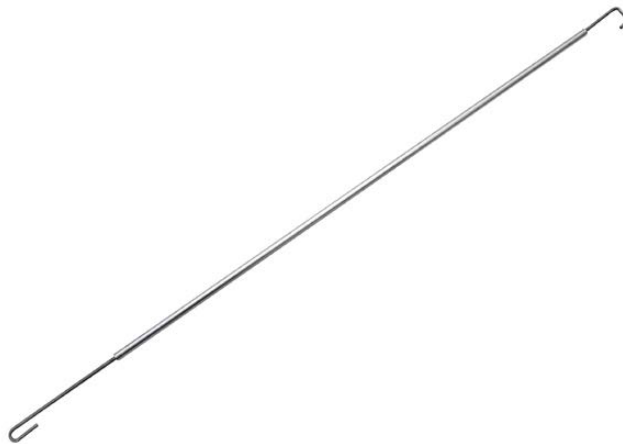


Code	Description	Material
ATM103	The Torque Master is the component into which the door is hinged, at the bottom torque rod. The Torquemaster regulates the speed and tension of the door swing, as well as the angle at which the door is mounted.	Die-cast aluminum.





A



B

	Code	Description	Material
A	CCD-ACP	Aluminium Captive Plate for insert display doors with torsion rods.	Aluminium
B	MAS-TB	Torsion Bar to suit most inserts.	Aluminium

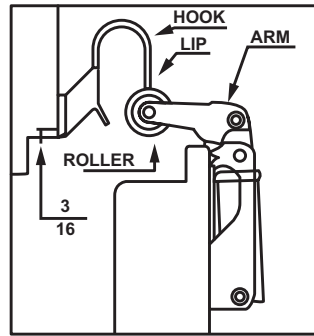
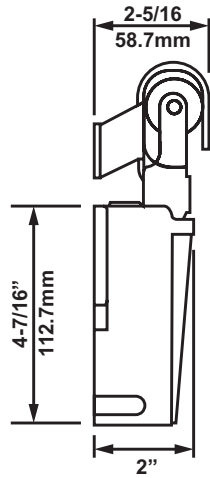


FIG A

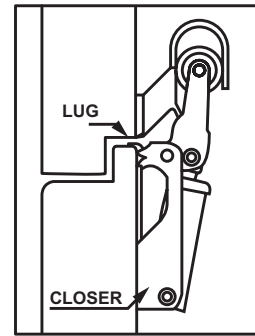
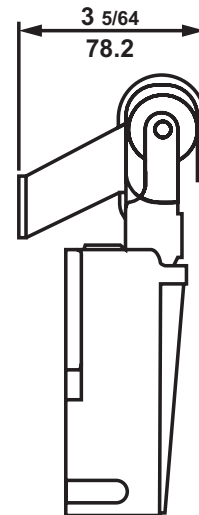
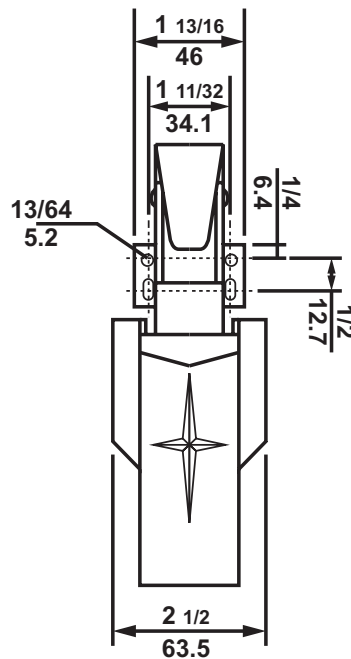


FIG B

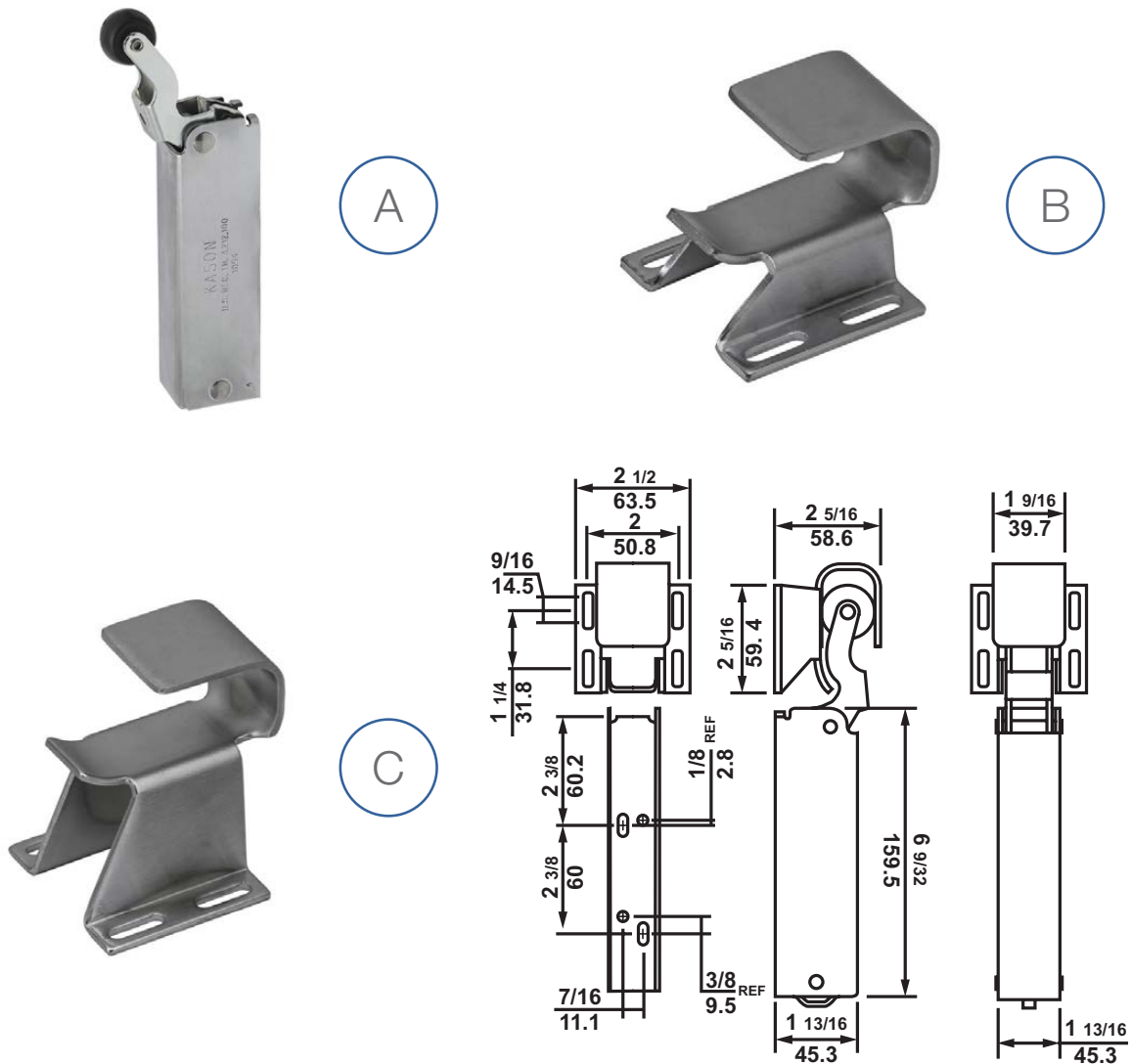


Installation Instructions

1. Lug should be located on top of the door edge.
2. Fasten the closer to door with screws.
3. Place hook with 3/16" space from frame edge to bottom of hook bracket. Fasten slotted holes only.
4. Close the door slowly to check if top of closer is in line with hook as shown on figure (A). The roller should clear the hook by no more than 1/32". Adjust as required and fasten all screws.
5. Snap cover on.

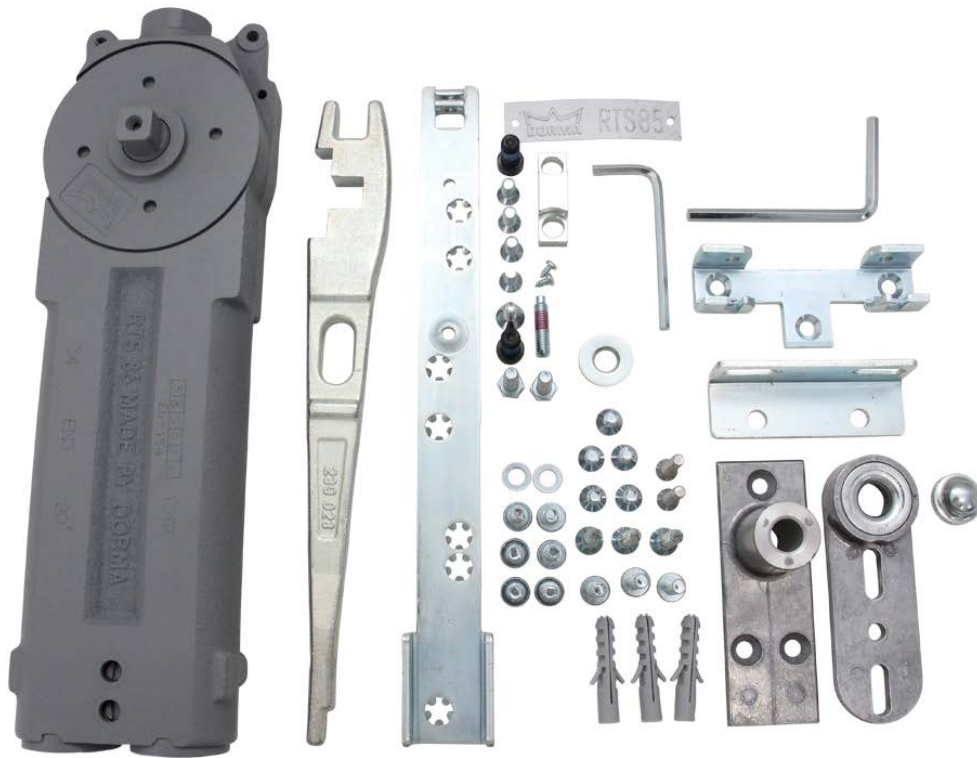
	Code	Description	Material	Mounting
A	K109304	Kason hydraulic door closer. 0mm-19mm, offset.	Steel with PVC cover.	Drilled for 5.0mm screws.
B	K109308	Kason hydraulic door closer 22mm-41mm offset.	Steel with chrome finish. Plastic cover.	Drilled for 5.0mm screws.

HINGED DOOR HARDWARE  
Kason Stainless Steel Hydraulic Door Closer & Hooks

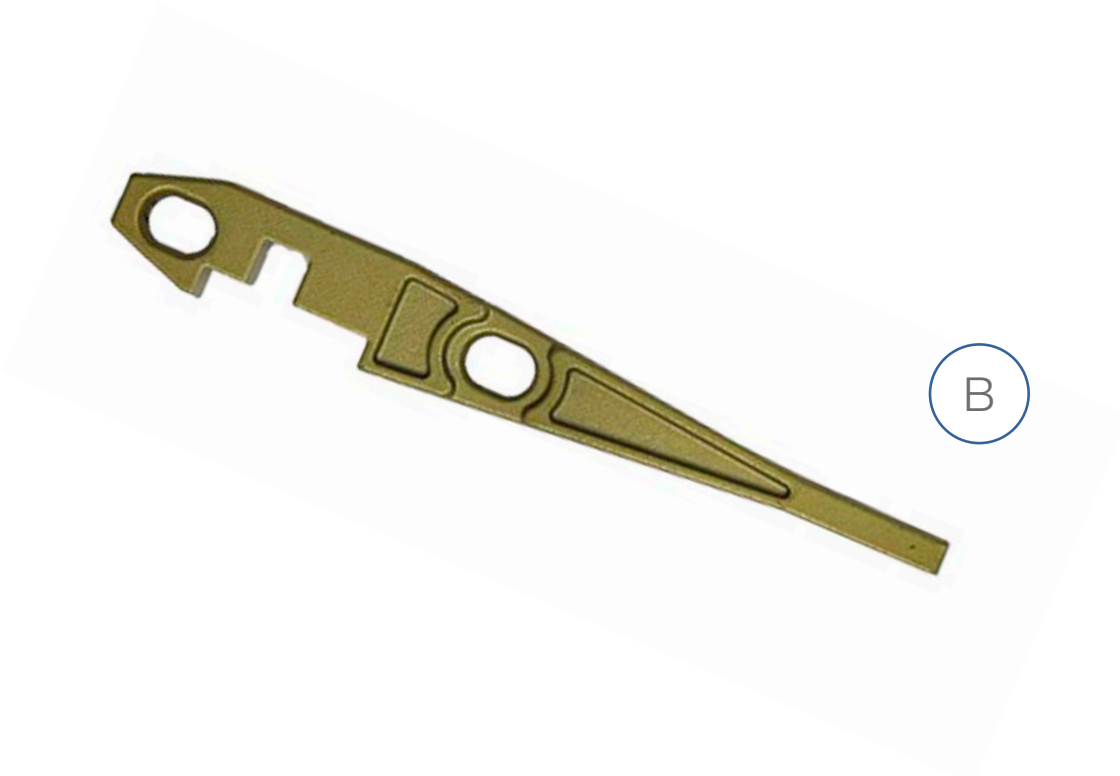
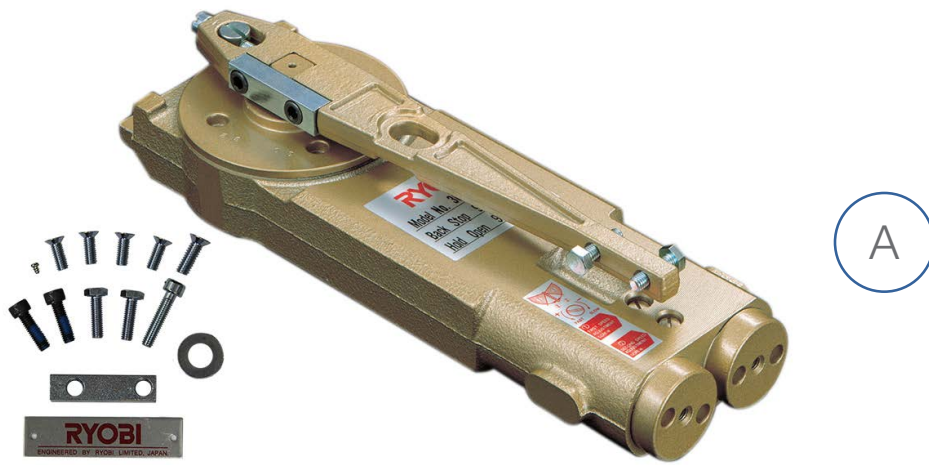


Code	Description	Material
A K1094000093	Kason stainless steel hydraulic door closer, concealed mount.	300 Grade stainless steel.
B K1094000926	Kason stainless steel door closer hook, 0mm-19mm offset. Mounting slots on hook allow for easy adjustment to compensate for sag, keeping roller aligned with hook for proper function.	300 Grade stainless steel.
C K1094000927	Kason stainless steel door closer hook, 22.1mm-41.3mm offset. Mounting slots on hook allow for easy adjustment to compensate for door sag, keeping roller aligned with hook for proper function.	300 Grade stainless steel.

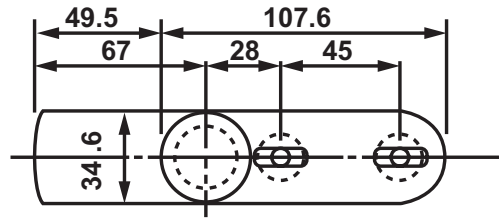
For use with K109000093 hydraulic door closer sold separately.



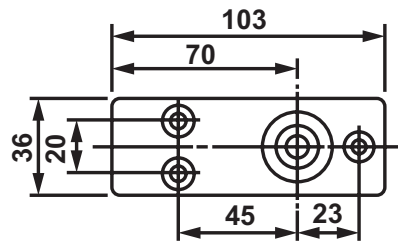
Code	Description	Material
RTS85	Dorma RTS85 Series transom door closer, 90° 90kg hold open. Ideal for shopfitting. For both double and single action doors. The RTS85 offers a solution for installations where door control must be provided without disturbing the aesthetic appearance of the door. The majority of preparation can be accomplished by the fabricator prior to installation, leaving minimal on-site work. A complete line of accessories is available to accommodate virtually any door and frame configuration.	Die-Cast Aluminium.



	Code	Description	Material
A	3201322	Ryobi 30 Series concealed transom door closer, complete 90° 70kg hold open. Colour: gold.	Die-cast aluminum
B	3201920	Ryobi 30 Series concealed transom door closer side arm replacement. Colour: gold.	Die-cast aluminum



**PIVOT BEARING POWER**



**FLOOR MOUNT PIVOT BASE**

A



B

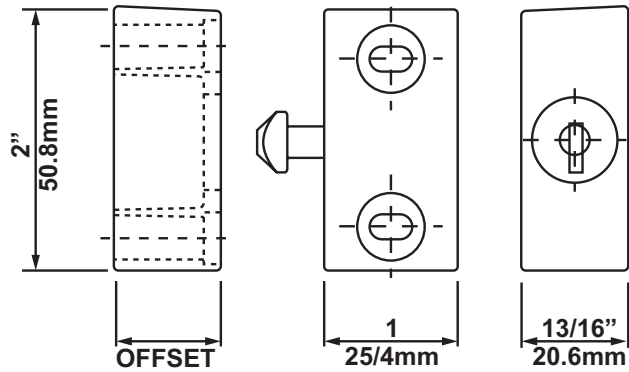
	Code	Description	Material
A	3201905	Ryobi 30 Series concealed transom door closer pivot replacement kit, consisting of pivot bearing retainer, floor mount pivot base and fasteners.	Die-cast aluminium
B	3201910	Ryobi 30 Series concealed transom door closer spare fixing pack to suit 30 Series door closer.	



Code	Description
FDC-001K	Spring loaded door safety chain. Adjustable 800mm length with PVC cover to prevent scratching.



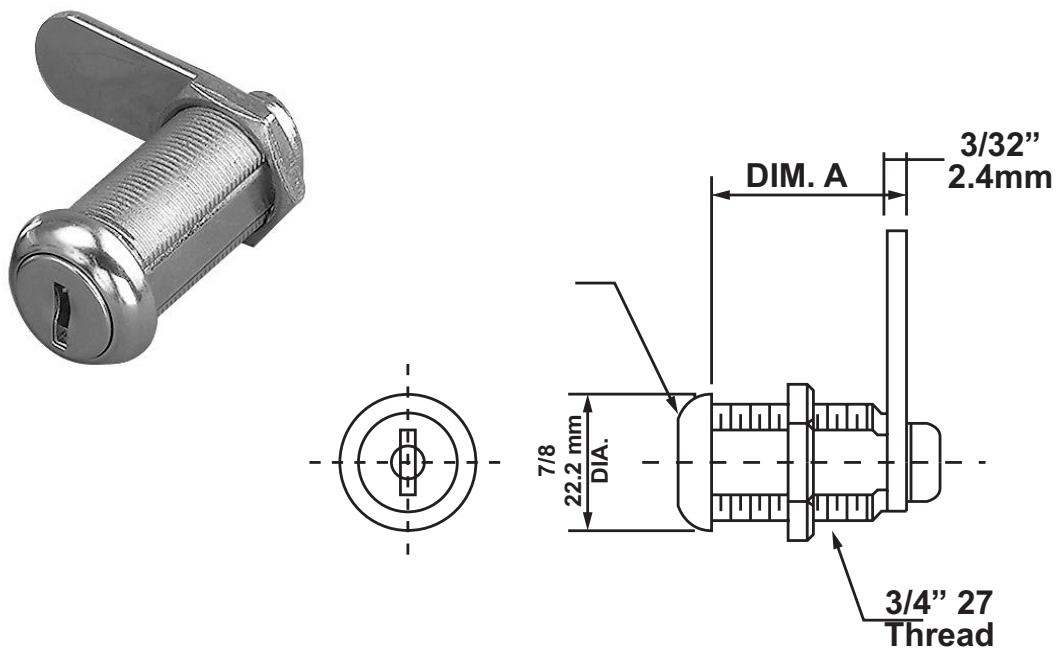
A



B

	Code	Description	Material	Mounting Holes
A	100SLB	Kason security block lock. Four disc cylinder. Keyed alike. Vertical and horizontal adjustments.	Zamak body with steel faced cylinder. Black powder coat.	50mm x 22mm x 25mm
B	100SL	Kason security block lock. Four disc cylinder. Keyed alike. Vertical and horizontal adjustments.	Zamak body with steel faced cylinder. Chrome plated.	50mm x 22mm x 25mm

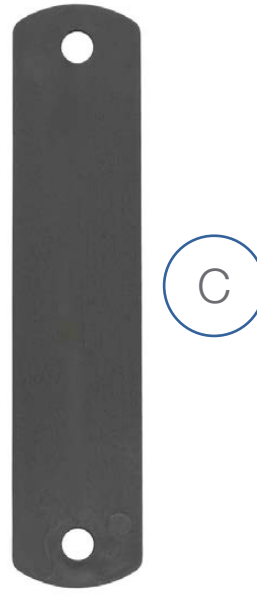




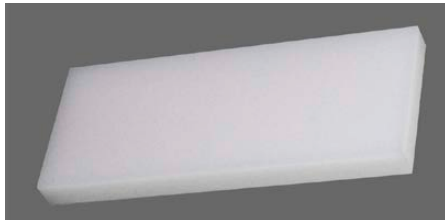
Features:

- Disc cylinder. Key - removable in locked or unlocked position.
- Two brass keys included.

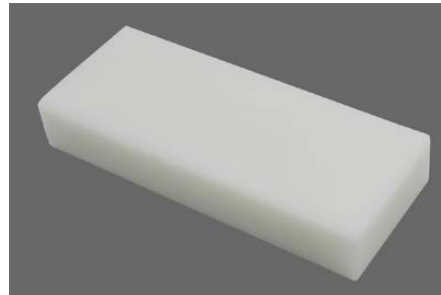
Code	Description	Material	Mounting Hole
7600000500	Kason utility lock. Polished chrome. Cylinder depth 16mm.	Die-cast zinc, chrome plated.	Through double D hole. Fastens with hex nut.
7600000501	Kason utility lock. Polished chrome. Cylinder depth 22mm.	Die-cast zinc, chrome plated.	Through double D hole. Fastens with hex nut.
7600000502	Kason utility lock. Polished chrome. Cylinder depth 28mm.	Die-cast zinc, chrome plated.	Through double D hole. Fastens with hex nut.
7600000503	Kason utility lock. Polished chrome. Cylinder depth 35mm.	Die-cast zinc, chrome plated.	Through double D hole. Fastens with hex nut.



	Code	Description	Dimensions	Material
A	CRH-PHP10	Packet of polyethylene packers, 10mm thick.	<ul style="list-style-type: none"> <li>• 4 x 40MM x 100mm</li> <li>• 1 x 60mm x 150mm</li> <li>• 1 x 80mm x 200mm</li> </ul>	White polyethylene.
	CRH-PHP25	Packet of polyethylene packers, 25mm thick.	<ul style="list-style-type: none"> <li>• 4 x 40mm x 100mm</li> <li>• 1 x 60mm x 150mm</li> <li>• 1 x 80mm x 200mm</li> </ul>	White polyethylene.
B	HP SILVER	2mm thick hinge packer to suit P11 range of hinges.		Grey nylon.
C	HP BLACK	2mm thick hinge packer to suit P11 range of hinges.		Black nylon.



A



D



B



E



C



F

	Code	Description	Material
A	PWP4010010	Poly packer, 40mm x 100mm x 10mm thick.	White polyethylene packers.
B	PWP4010025	Poly packer, 40mm x 100mm x 25mm.	White polyethylene packers.
C	PWP6015010	Poly packer, 60mm x 150mm x 10mm.	White polyethylene packers.
D	PWP6015025	Poly packer, 60mm x 150mm x 25mm.	White polyethylene packers.
E	PWP8020010	Poly packer, 80mm x 200mm x 10mm.	White polyethylene packers.
F	PWP8020025	Poly packer, 80mm x 200mm x 25mm.	White polyethylene packers.



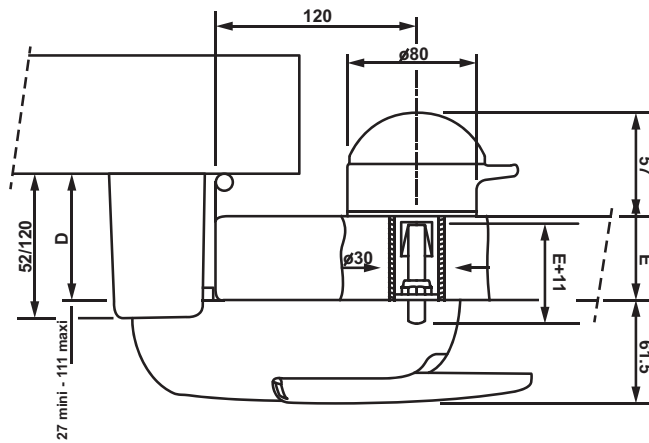
A



B



C



D

	Code	Description	Material
A	F473SHIM	9mm hinge packer to suit F473 hinge.	Grey composite
B	F1671SHIM	5mm hinge packer for F1671 hinge. Multiple packers may be used to increase the offset.	Composite
C	F8730P15	Fermod F8730 strike packer 15mm.	Aluminium and composite
D	F521SHIM	Fermod F520/F521 strike packer, 17mm. Strike packers can be attached to the bottom of the strike to help you achieve the offset required (see illustrations).	Composite



	Code	Description	Material
A	SKA-09P	5mm packer for wall guide register.	Nylon
B	CRH-096	20mm packer for Fermod F430/F431 internal release latch.	Composite
C	F6180807/2P	Fermod 2mm floor guide packer to suit F6180807.	Nylon
D	F8530P	Fermod F8530 20mm internal lever handle packer. Packer is used to avoid interference between the F8530 internal release handle and the rubber fridge seal.	Polyethylene



A



B



C



D



E

	Code	Description	Material
A	K1229	Kason Safety-Glow™ push panel. 180mm x 77mm glow in-the-dark	Polypropylene base.
B	LABEL-01	Glow in the dark "PUSH TO EXIT" label. 70mm x 135mm. Peel back sticker.	Lumitac luminous material. Green with black writing.
C	Push	Push emergency alarm labels 135mm x 70mm.	Black letters on lumitac material.
D	ARROW LABEL	Luminous arrow sticker on green background 145mm x 145mm. Peel back 'Arrow' sticker	
E	LABEL-02	Lumitac 'Push TO Open' Emergency Alarm Label.	Black letters on Lumitac material.





A

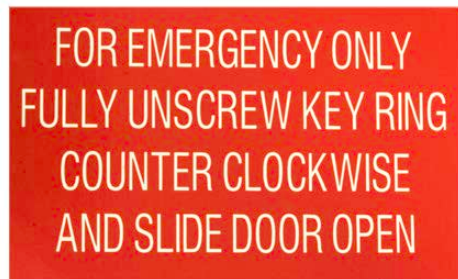


B

	Code	Description
A	LOCK LABEL 1	Interior luminous label for CRH-268-R Series sliding door lock 100mm x 100mm.
B	LOCK LABEL 2	Exterior label for CRH-268-R series sliding door lock 100mm x 100mm.



A



B



C

	Code	Description	Material
A	P07-PW	Luminous instruction slicker, 120mm x 75mm. Red background with luminous writing.	-
B	P07-SK	Luminous instruction slicker, 120mm x 75mm. Red background with luminous writing.	-
C	P07-SW	Luminous instruction slicker, 120mm x 75mm. Red background with luminous writing.	-







A



B

	Code	Description	Material
A	LABEL-05	EXIT peel back label. 150mm x 245mm.	Lumitac letters on green background.
B	LABEL-06	Running Man EXIT peel back label. 70mm x 130mm.	Lumitac letters on green background.



**CONTACT SERVICE DESK IF WALL GUIDE DISENGAGED FROM SHUTTLE**



**To Reset:**

- Remove black end cover.
- Slide shuttle back into the wall guide.
- Screw black end cover into place.

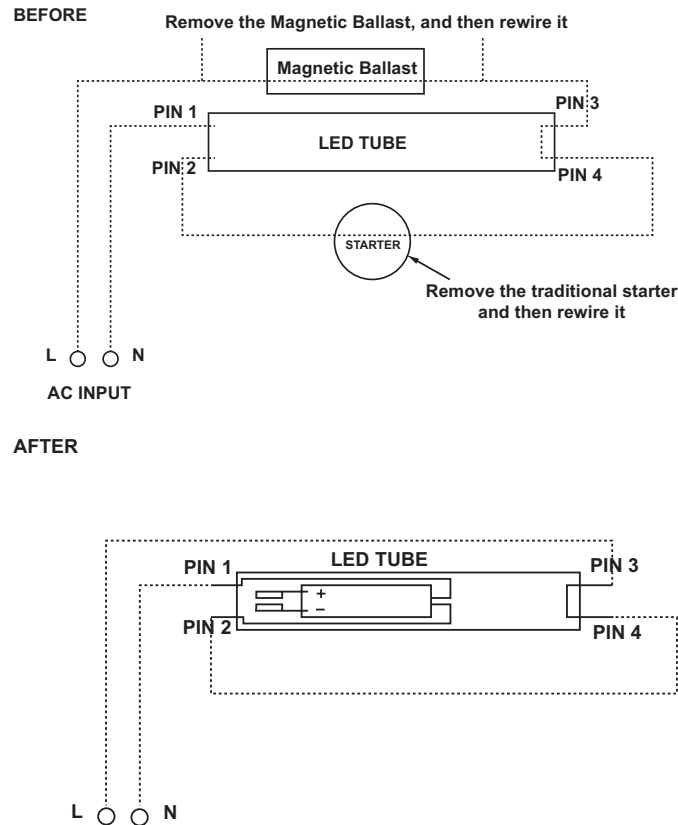
A

	Code	Description
A	LABEL-WG	Fermod wall guide instruction label. Stick this instruction label to the wall panel above the wall guide rail. All of your staff will understand how easy it is to reengage the guide system if the door takes a hard knock.



LED units start up instantly and emit very little heat, unlike traditional fluorescent tubes. This makes them ideal for use in cool rooms and freezers as they create less work for your refrigeration plant. Long life, energy efficient, less maintenance. The working temperature range is  $-40^{\circ}\text{C}$  to  $+50^{\circ}\text{C}$ .

	Code	Description
A	FH9236T8	CRH twin 18W LED IP65 light fitting, 1200mm. 3060 lumens, 6000-7000K, 90-264V AC, Draws 0.48 amps. Overall dimensions 1250mm x 130mm x 95mm.
B	FH9118T8	CRH single 9W LED IP65 light fitting. 600mm 765 lumens, 6000-7000K, 90-264V AC. Draws 0.21 amps. Overall dimensions 660mm x 85mm x 95mm.
	FH9136T8	CRH single 18W LED IP65 light fitting, 1200mm. 1530 lumens, 6000-7000K, 90-264V AC. Draws 0.24 amps. Overall dimensions 1250mm x 85mm x 95mm.



#### Installation Instructions

1. Turn of the electricity supply before installation.
2. A1 shows standard wiring for fluorescent fittings.
3. Remove ballast and starter. Replace starter with 250v HRC type fuse.
4. Wire as shown in B1.
5. Insert LED tube.

#### Important Notice

Changes to electrical wiring should only be performed by a qualified Electrician.

Code	Description
CF001	CRH 435mm 8W 48Pcs 2835 LED tube -cool white, transparent.
CF002	CRH Single 600mm 9W 60Pcs 2835 LED tube -cool white, transparent. Draws 0.21 amps.
CF004	CRH 900mm 13W 96Pcs 2835 LED tube -cool white, transparent. Draws 0.24 amps.
CF006	CRH1200mm 18W 120Pcs 2835 LED tube -cool white, transparent. Draws 0.24 amps.
CF007	CRH1500mm 23W 144Pcs 2835 LED tube -cool white, transparent.





Code	Description	Material
SF-200L	IP65 Bulkhead light with low energy lamp, 280mm x 188mm x 100mm high.	Pressure die cast aluminum.



A



B

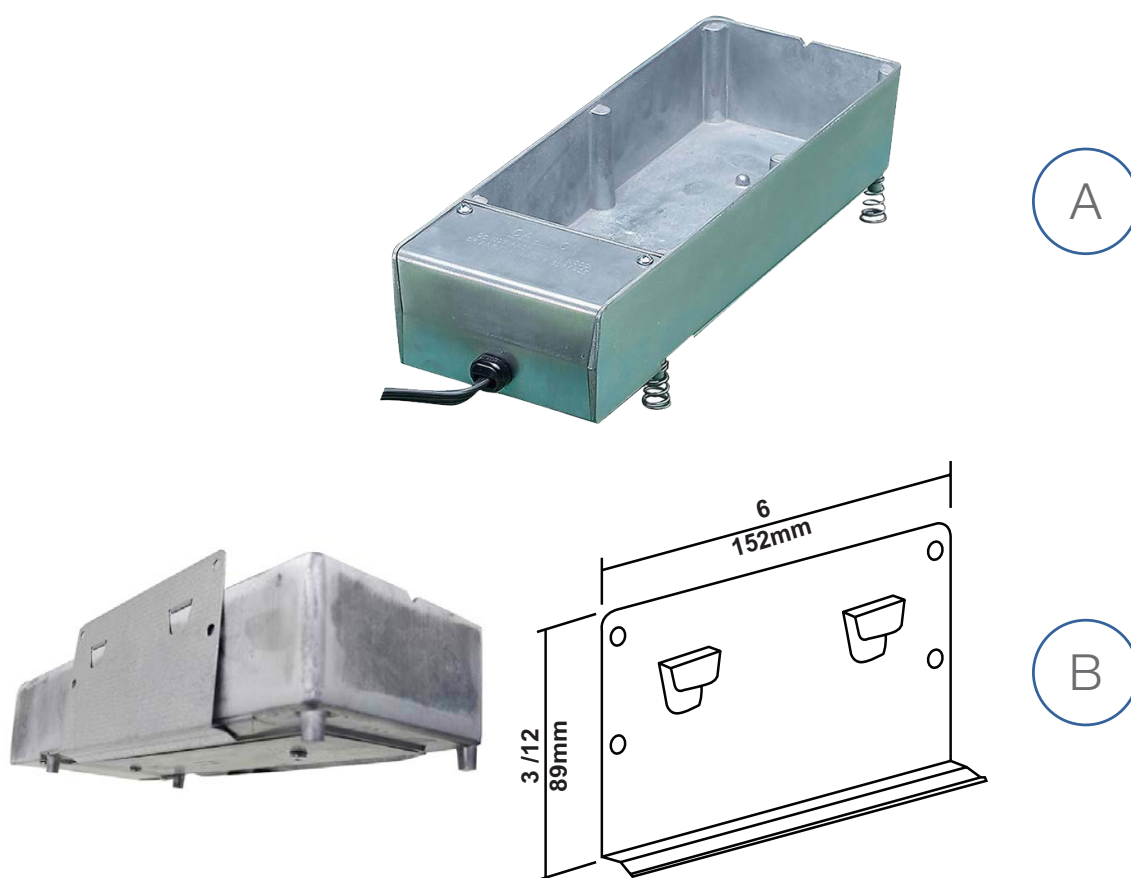
	Code	Material
A	IT60W	I-Trap ultra violet Bug Trapper automatically and silently attracts, kills and collects flying insects in high risk and critical food preparation areas.
B	GF600IM	Ultra violet cool room germicidal light will eliminate odours and prolong food shelf life.



The CRH-660 condensate evaporator drip pan uses **Heat Pad Technology**. This eliminates the contemporary heating element which is susceptible to earth leakage issues.

The self-regulating heat pad is far more reliable than independent thermostats that rely on heat transfer through the pan body.

Designed for longer life and energy savings, this 140 watt model achieves up to 90% of the evaporation of a typical high wattage unit. The resistance controlled heater lowers wattage automatically to conserve energy when the pan is empty. The placement of the heater cuts heat loss by directing more heat to the wetted pan areas and less to the pan exterior.



	Code	Dimensions	Pan
A	CRH-660	Kason condensate evaporator pan, 240V Dimensions: 120mm x 317mm x 73mm. Volume: 1479ml Power supply: 1.8m, 240V Lead, 140W. Evaporation rate: 157ml/hr.	Pressure die-cast zinc.
B	K660000064	CRH-660 wall mounted bracket to support the CRH-660 Kason condensate evaporator pan.	Zinc.



A



B



C

**PTC Benefits**

The PTC heater eliminates the need for electro-mechanical controls, control boxes and level sensors. The robust design provides continuous evaporation, automatically regulating the wattage based on water level and temperature. All in a simplified, space-saving design.

**Condensate Pan**

Heavy gauge stainless steel with enhanced rust protection.

**Overflow Drain**

3/8" outside diameter: 5/8" length

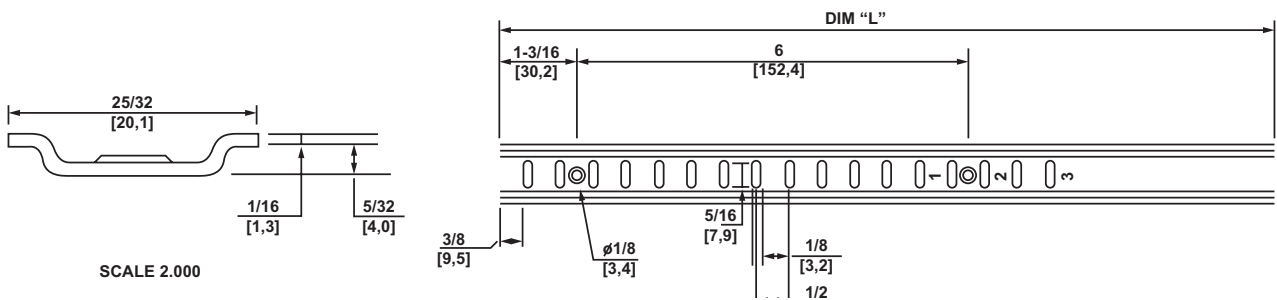
**Mounting Feet**

1/2" nominal height slotted holes

	Code	Description
A	PTC05S-3	PTC05S-3 Evapoway Condensate Evaporator Pan. 500 Watt, 240 Volt, 2.08 Amps. Pan capacity 2.2L, Pan dimensions 360L x 173W x 80D mm. Dissipation Rate 15 litre per day.
B	PTC05WS-3	Evapoway Condensate Evaporator Pan. 500 Watt, 240 Volt, 2.08 Amps. Pan capacity 4.5L, Pan dimensions 360L x 260W x 80D mm. Dissipation Rate 15 litre per day.
C	PTC05WWS-3	Evapoway Condensate Evaporator Pan. 500 Watt, 240 Volt, 2.08 Amps. Pan capacity 6.6L, Pan dimensions 562L x 325W x 80D mm. Dissipation Rate 15 litre per day.







Shelving strip can be riveted or screwed to the inside of the refrigeration cabinet. Shelf clips are then fitted so a shelf can be rested on top of the clips. Manufacturer's maximum safe working load 35kg per shelf clip.

	Code	Description	Material
A	SSA1	Kason shelf strip -305mm.	Aluminium..
	SSA2	Kason shelf strip -610mm.	Aluminium.
	SSA3	Kason shelf strip -914mm.	Aluminium.
	SSA4	Kason shelf strip -1220mm.	Aluminium.
	SSA5	Kason shelf strip -1524mm.	Aluminium.
	SSA6	Kason shelf strip -1829mm.	Aluminium.
B	SCK	Kason shelf clip, no lug.	304 Grade stainless steel.
C	SCLK	Kason shelf clip with lug.	304 Grade stainless steel.



A



D



B



E



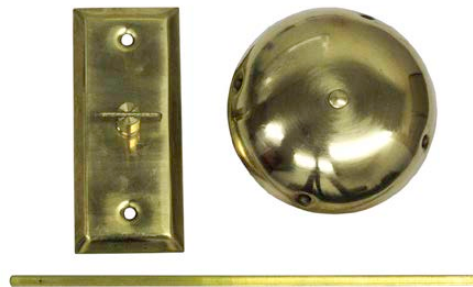
C

	Code	Description	Mounting	Temperature Range
A	92220308	Drum type temperature gauge. 2m capillary. 65mm wide x 32mm face x 55m deep Cutout: 58mm wide x 27mm high.	Recess	- 40°C to +40°C
B	CPN120	55mm Dial thermometer.	Recess	0°C to +120°C
C	CPNF40	55mm Dial thermometer. 1m capillary 60mm dial thermometer.	Recess	-0°C to +120°C
D	F8760R	60mm Dial thermometer 1.5m capillary.	Recess or panel	-40°C to +40°C
E	AFP84100	100mm Dial thermometer. 1.5m capillary.	Recess	-40°C to +40°C





A



B



C

	Code	Description	Material
A	ANM-001	Coolroom warning bell. 180mm drive bar. Manual operation. 95db.	Mild steel and chrome plated.
B	ANM-002	CRH Warning bell. 180mm drive bar. Manual operation. 95db.	Brass.
C	D05-ZP	Bell drive bar. Length: 300mm.	Zinc plated.



A



B



C

	Code	Description	Material
A	A375G	CRH bell recess, 120mm diameter cutout. Grey	Aluminium.
B	A375W	CRH bell recess, 120mm diameter cutout. White	Aluminium.
C	D03	Bell recess - mill finish	Aluminium.



Code
K1967-001K
Description
<ul style="list-style-type: none"> <li>• The siren has been measured at 92dB at 1m and 85dB at 3m in the manufacturers laboratory, room acoustics and size may affect dB results.</li> <li>• Panic alarm with 3 audible setting.</li> <li>• Temperature gauge</li> <li>• Temperature alarm with Hi and Low alarm settings</li> <li>• Door open sensor and alarm</li> <li>• Built in light switch</li> <li>• Connect to remote dialers</li> <li>• IP65 rated</li> <li>• Plug and Play modules</li> <li>• Add multiple light, panic and alarm modules</li> <li>• Lock-out feature so eager fingers cannot change settings</li> <li>• 240 vac with 9v battery back-up</li> </ul>



Description
<ul style="list-style-type: none"> <li>• Continuously illuminated Blue LED light illuminates both the light switch and the Panic Button, If the lights go out this area is still illuminated for exiting</li> <li>• Timer and Manual controlled switching</li> <li>• 3 or 4 way switching</li> <li>• Warning flashes if the light timer is going to expire within 1 minute</li> <li>• Touch technology means even thick gloves will operate the IP65 rated switching system</li> <li>• Easy Push Panic Button</li> <li>• Audible alarm will sound until deactivated, connect to an automatic dialer for extra safety and security</li> </ul>





A



B

Housed in weatherproof and dustproof external mounting boxes, the Kason entrapment alarm has an LED display that indicates that it is online in power or battery mode and releases sharp blue strobing LED lights along with a 100dB piezo siren when activated.

Installation is effortless with basic 'plug and play' connection and the 12v system simply plugs into a 240v power point.

	Code	Description
A	K1967-57	Kason 12 Volt entrapment alarm with battery back-up
B	K1967-57D	Kason 12 Volt entrapment alarm with battery back-up.



A



C



B



D

	Code	Description
A	K1967-004	Kason Sentinel Control Module.
B	K1967-005	Kason Sentinel Alarm Module.
C	K1967-006	Kason Sentinel Light Module.
D	K1967-007	Kason Sentinel Panic Module.



A



E



B



F



C



G



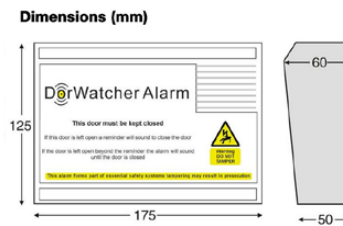
D

	Code	Description
A	K1967-008	Kason Sentinel open door sensor.
B	K1967-9472	Kason Sentinel temperature probe extension - 6096mm.
C	K1967-944	Kason Sentinel battery / comm cable - 914mm.
D	K1967-942	Kason Sentinel temperature probe - 1828mm.
E	K1967-117	Kason Sentinel module housing gasket.
F	K1967-009	Kason Sentinel single utility box.
G	K1967-010	Kason Sentinel double utility box.





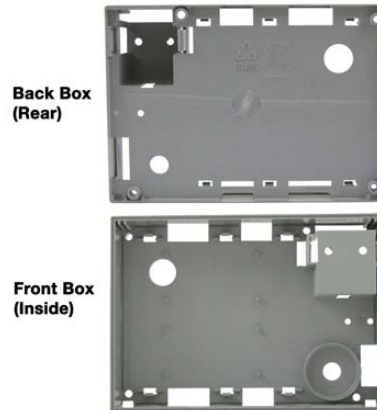
A



B



C



The Dorwatcher Alarm Unit is a simple solution to stop refrigerated hinged and sliding doors being left open for long periods of time. Open doors cause an increase in power usage, damage to food products and create a strain on refrigeration units which will reduce the life span of your equipment.

### NORMAL OPERATION

When the protected door is opened, the unit's LED will flash every few seconds and time (TD1) will be allowed to elapse before a short warning chime is made by the unit. An additional time (TD2) is then allowed to elapse. If the door hasn't been closed after both times (TD1 and TD2) have elapsed the unit will start sounding its main alarm tone. If the door is closed before the main alarm tone is heard, the unit will reset and the next time the door is opened the timers will start again. Once in full alarm, the tone will continue for 2 minutes after which the alarm tone will cease and a chime will be heard every 30 seconds to alert people in the vicinity that the door is still open. To clear the alarm, simply close the door.

### BATTERY FAULT INDICATION

The battery powered Dorwatcher Model DW304 has a built in battery fault monitor. If the unit beeps as soon as the door is opened this indicates that the batteries are running low and should be changed. The Dorwatcher Alarm System comes with a robust ABS plastic enclosure with a tamper switch which activates a tone when the front cover is removed. Alarm times can be adjusted.

	Code	Description
A	DW304	Dorwatcher Open Door Alarm –battery model.
B	DW305	Dorwatcher Open Door Alarm, 12V hard wired unit.
C	DCS/1	Replacement connection magnet for DW304 and DW305.



A



C



B



D

	Code	Description	Material
A	IPDIPS161	Dimensions: 85mmH x 85mmW x 86mmD. 16A switch - 2 way switching. 16A terminal size 4.3mm diameter. Accessory kit included and contains 1 x 2 screw insulated connector, 2 x 25/20mm conduit reducers. Rear screw plugs. Front screw plugs. Max single cable 4mm <sup>2</sup> . Will take twin 2.5mm <sup>2</sup> .	PVC
B	RLS30/240	Adjustable roller lever limit switch 30mm IP66 Rating. Colour: Grey and Black	PVC
C	CRH-ILB	Red neon indicator light box with 20mm conduit knockouts. Colour: White	
D	ITS-MRS	Magnetic reed door switch . Ultra slim and robust, this switch can be floor or wall mounted. Colour: Silver	



A



B

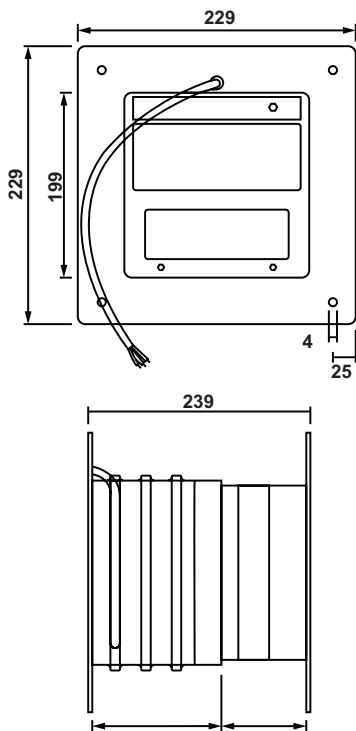


A

	Code	Description	Material
A	20JBWH	20mm one way junction box white.	PVC
B	20TELWH	20mm x 4m rigid PVC conduit. Colour: White.	PVC
C	DCP9V	Duracell Procell 9 Volt dry cell alkaline battery.	

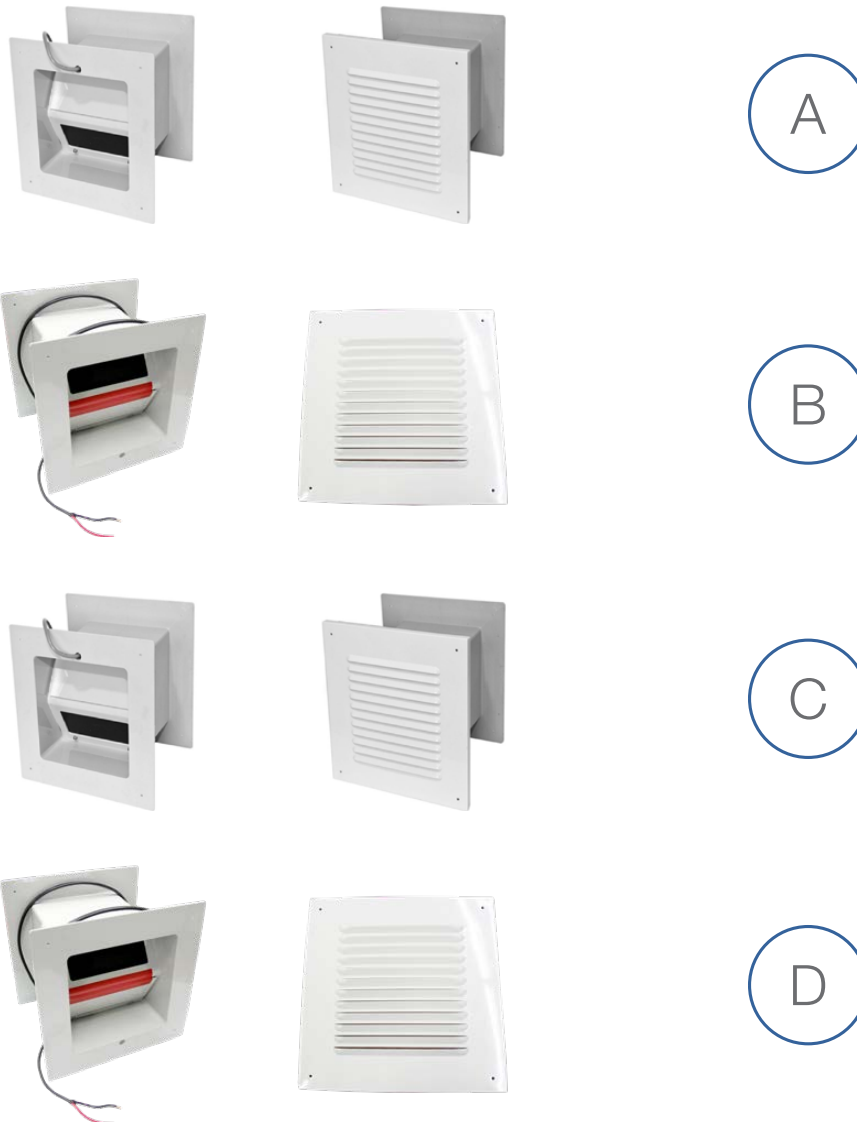
# PRESSURE RELIEF VALVES

## CRH-1000 Pressure Relief Valve



Number of CRH-1000 valves per room, Max pressure 200Pa, 20kg/m <sup>2</sup>		
Room Volume	Temp Change 1°c in 10 min <b>No of Valves</b>	Temp Change 1°c in 15 min <b>No of Valves</b>
5000m <sup>3</sup>	4	3
6000m <sup>3</sup>	5	3
7000m <sup>3</sup>	6	4
8000m <sup>3</sup>	7	4
9000m <sup>3</sup>	8	5
10000m <sup>3</sup>	8	5
12500m <sup>3</sup>	10	7
15000m <sup>3</sup>	12	10
20000m <sup>3</sup>	17	11
25000m <sup>3</sup>	20	13
30000m <sup>3</sup>	25	16
40000m <sup>3</sup>	33	21
50000m <sup>3</sup>	41	26

Function	Internal Pressures	External Pressures
The walls of a cold room are constantly subjected to strains caused by pressure variations, either from inside or outside the room. Pressure relief valves make it possible to balance internal and external pressures through venting.	Defrosting of evaporators, loading of goods, extended opening of doors entail warming up of the air, hence overpressure risk of violent opening of doors or yielding of the walls. Likewise, cooling down of the air and consequently of the room, will result in underpressure and possibly collapse of the walls. For example. a rise or fall of temperature by 1°c creates a pressure of about 40mm water column ie 40kg/ m <sup>2</sup> over a 100m <sup>2</sup> ceiling is an evenly distributed load of 4 metric tons.	Another factor to be considered is atmospheric pressure. Changes in weather may cause pressure variations acting on the outside of walls, with the same drawback as internal pressures.



- The CRH-1000 Pressure Relief Valve is suitable for freezers and blast freezers to -40°C. The CRH-1000 is a heated, mechanically operated valve with 2 water tight mobile flaps allowing airflow in either direction.
- A plastic grille is fitted to each flange end to prevent rodents etc from entry.
- The Valve body is within a 300mm x 300mm square mounting flange which allows simple fixing to the freezer wall. The back body and flange can be trimmed to suit 150mm, 200mm and 250mm thick walls.
- Both front and back sections are manufactured from injected moulded polycarbonate material.
- The inlet and exhaust flaps seal on a neoprene diaphragm.
- The heating element is a 33 watt/meter self regulating heater cable 240 watt 10 Deg.with a 3 core neutral, active and earth facility. Power termination ends are fitted for easy installation.

	Code	Description
A	CRH-1000	CRH Pressure relief vent.
B	CRH-1000UH	CRH Pressure relief vent - unheated.
C	CRH-1000-150	CRH Pressure Relief Vent 300mm x 300mm. 150mm Wall Panel. 2 Vermin Screens.
D	CRH-1000-200	CRH Pressure Relief Vent 300mm x 300mm. 200mm Wall Panel. 2 Vermin Screens.



A



B

The walls of a cold room are constantly subject to strains caused by pressure variations, either from inside or outside of the room. It is important to equalise the pressure when necessary otherwise the walls and ceiling are at risk of blowing out or in causing damage or possible injury.

The F2227 Valve makes it possible to balance internal and external pressures through venting. It's mechanically operated valves (one intake and the other exhaust) have two water tight mobile flaps. This means that when not required the cold room is still sealed without precious cold air leaking out of the room and causing machinery to run more often. When pressure builds up the valves open and allow equalisation.

The valve is fitted with an 8w heater which runs continuously and prevents the flaps from freezing.

It is important to note that the F2227 Valve is designed for negative temperature cold rooms. If used for positive temperature cold room equalisation the heater should Not be connected to power.

Ensure to read the information in the Installation Instructions. Draws 0.035 AMPs per Valve.

This product replaces CRH-500 & F2220TN Models.

	Code	Description
A	F2227	Fermod F2227 Pressure Relief Valve.
B	F2227-RFS	Retro fit sleeve cover. Allows the new Fermod F2227 Valve to be fitted using the same wall penetration as the older CRH-500 Valves.



Code	Description
CRH-750	CRH 3 flap heated pressure relief vent. The heating element is a 33W/m self regulating heater cable 240W with .275 AMP draw with a 3 core neutral, active and earth facility. Power termination ends are fitted for easy installation. Suits 100mm -150mm thick wall panel. Cut-out size approx' 170mm x 170mm.
CRH-750UH	CRH 3 flap unheated pressure relief vent 160mm x 160mm. 70mm -150mm wall panel.



Code	Description	Material
K18320806	Kason 1832 series ventilator port	Aluminium and self extinguishing Lexan



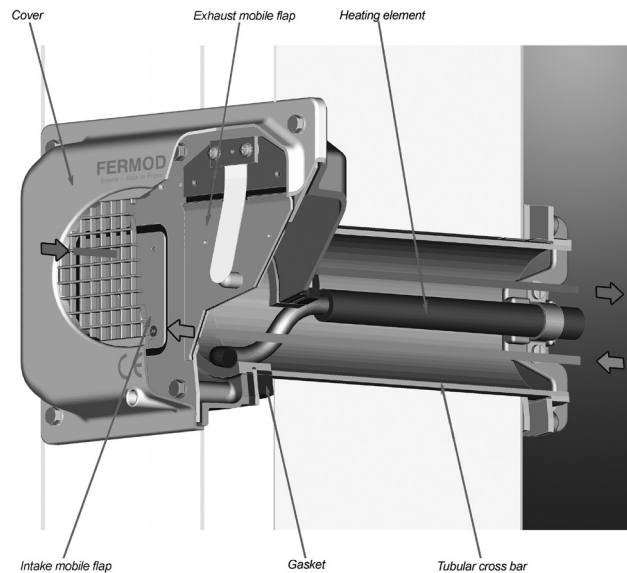


Code	Description	Material
PRP00102	<p>Nordon pressure relief port. Suits 65mm - 150mm panel thickness.</p> <ul style="list-style-type: none"><li>•Manufactured from non-corrosive food-safe injection moulded plastic.</li><li>•No mechanical parts</li><li>•A vermin filter is standard</li><li>•8 watt 240V anti freeze heater</li></ul>	Plastic

# PRESSURE RELIEF VALVES

## Fermod Pressure Relief Valves

NUMBER OF CRH-500 VALVES TO USE PER ROOM Max. Pressure 300Pa Temperature Change: 1°C in 3min		
ROOM VOLUME	ROOM TEMPERATURE	
	-30°C	-15°C
25m <sup>3</sup>	1	1
50m <sup>3</sup>	1	1
75m <sup>3</sup>	1	1
100m <sup>3</sup>	2	1
125m <sup>3</sup>	2	2
150m <sup>3</sup>	2	2
200m <sup>3</sup>	3	2
250m <sup>3</sup>	4	3
300m <sup>3</sup>	4	3
350m <sup>3</sup>	5	4
400m <sup>3</sup>	6	4
500m <sup>3</sup>	7	5



CODE	Description	
F2230	Fermod pressure relief valve is a heated, mechanically operated valve with two water tight mobile flaps, one for admission the other for exhaust.	
	A - The Mechanical Element	B - The Heating Element
	<p>This is outside the room and is composed of:</p> <ul style="list-style-type: none"> <li>• 1 x main case made of reinforced composite</li> <li>• 1 x cover made of composite</li> <li>• 1 x anodised Dural plate with gasket</li> <li>• 2 x mobile flaps consisting of plates with a neoprene diaphragm placed to ensure tightness</li> <li>• 6 x stainless steel springs hold the 2 flaps in a closed position</li> <li>• 1 x glass polyester tube with gasket goes through the wall and is attached to the case by a tight fixture.</li> </ul>	<p>This is fixed inside the tube with a tightening band. It prevents freezing and consists of:</p> <ul style="list-style-type: none"> <li>• 1 x heating element NF, IP55, 40 watt/220 Volt with earth connection.</li> <li>• 1 x thermal contact controls the heating element temperature.</li> </ul>

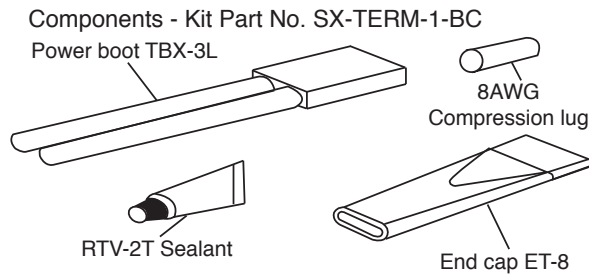
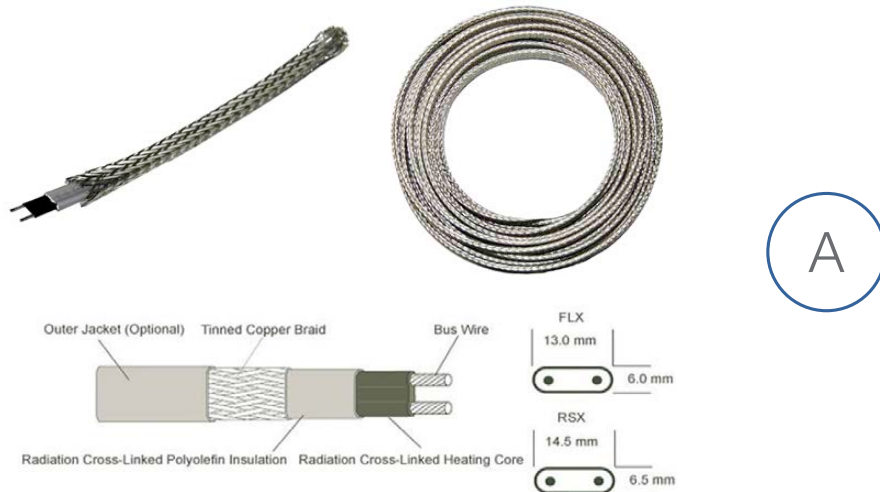


Resistances available in OHMS per foot. Silicone jacketed class 22, fibreglass over braid to provide mechanical protection, 0.76 wall thickness. Rated at 150° and 300 volts. Available in 152 metre rolls or by the metre.

Code	Description
1.5 OHM	Silicone insulated heater cable 1.5 OHM/ft, 4.9 OHM/m
3 OHM	Silicone insulated heater cable 3 OHM/ft, 9.8 OHM/m
4.6 OHM	Silicone insulated heater cable 4.6 OHM/ft, 15.1 OHM/m
6 OHM	Silicone insulated heater cable 6 OHM/ft, 19.7 OHM/m
7.6 OHM	Silicone insulated heater cable 7.6 OHM/ft, 24.9 OHM/m
9 OHM	Silicone insulated heater cable 9 OHM/ft, 29.5 OHM/m
12 OHM	Silicone insulated heater cable 12 OHM/ft, 39.4 OHM/m
15 OHM	Silicone insulated heater cable 15 OHM/ft, 49.2 OHM/m
17 OHM	Silicone insulated heater cable 17 OHM/ft, 55.8 OHM/m
20 OHM	Silicone insulated heater cable 20 OHM/ft, 65.6 OHM/m
25 OHM	Silicone insulated heater cable 25 OHM/ft, 82.0 OHM/m
30 OHM	Silicone insulated heater cable 30 OHM/ft, 98.4 OHM/m
35 OHM	Silicone insulated heater cable 35 OHM/ft, 114.8 OHM/m
40 OHM	Silicone insulated heater cable 40 OHM/ft, 131.2 OHM/m
45 OHM	Silicone insulated heater cable 45 OHM/ft, 147.6 OHM/m
50 OHM	Silicone insulated heater cable 50 OHM/ft, 164 OHM/m
60 OHM	Silicone insulated heater cable 60 OHM/ft, 196.9 OHM/m
70 OHM	Silicone insulated heater cable 70 OHM/ft, 229.7 OHM/m
90 OHM	Silicone insulated heater cable 90 OHM/ft, 295.3 OHM/m
100 OHM	Silicone insulated heater cable 100 OHM/ft, 328 OHM/m
120 OHM	Silicone insulated heater cable 120 OHM/ft, 393.7 OHM/m
150 OHM	Silicone insulated heater cable 150 OHM/ft, 492.1 OHM/m
200 OHM	Silicone Insulated heater cable 200 OHM/ft, 656.2 OHM/m
300 OHM	Silicone insulated heater cable 300 OHM/ft, 984.3 OHM/m
350 OHM	Silicone insulated heater cable 350 OHM/ft
600 OHM	Silicone Insulated heater cable 600 OHM/ft

# HEATING CABLE

## Self Regulating Header Cable



Self regulating heating cable: Available in 160metre rolls or by the metre. Bus wire: nickel-plated copper. Metallic braid: tinned copper outer jacket: OJ, polyolefin (optional). Minimum bend radius @ -150C: 10mm Supply voltage: 240 Vac Circuit protection: 30 mA ground-fault protection required. Maximum continuous exposure temperature: power-on: 65°C; power-off: 85°C.

	Code	Description
A	FLX-5-2-BC	Thermon self-regulating heater cable, 16W/m 240Vac.
	FLX-10-2-BC	Thermon self-regulating heater cable, 33W/m 240Vac.
	FLX-15-2-BC	Thermon self-regulating heater cable, 49W/m 240Vac.
B	SX-TERM-1-BC	Power and end termination kit. Used for end of circuit and power termination of braided self-regulating cables.



A



B

Self regulating cable, 240V supply with 30A earth leakage protection is recommended. The condensate drain heater is complete and ready to use for freeze protection on condensate drain lines. Since the cable is self-regulating no controlling thermostat is required.

	Code	Description
A	CDH-2-OJ	Condensate drain heater, 2m long terminated over jacketed heater circuit with 1m power lead. 52 Watts @ 10 deg. C. 240V.
B	CDH-1-OJ	Condensate drain heater, 1m long terminated over jacketed heater circuit with 1m power lead, 26 Watts @ 10 deg. C. 240V .



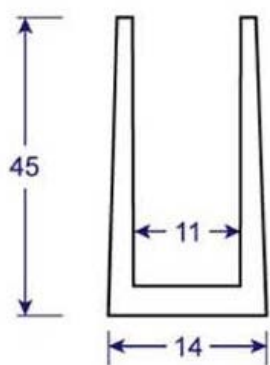
A



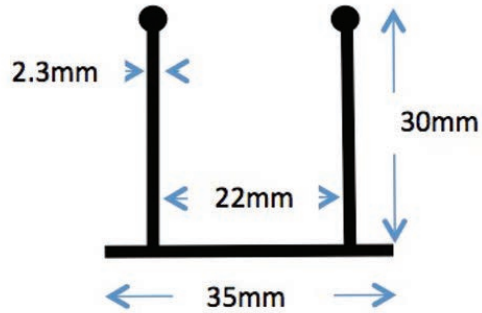
B

	Code	Description
A	RMBHC10	Round metal braided heater cable, 240v 10 Ohms/m. Metal braiding provides an earth fixing point.
B	RMBHC48	Round metal braided heater cable, 240v 48 Ohms/m. Metal braiding provides an earth fixing point.

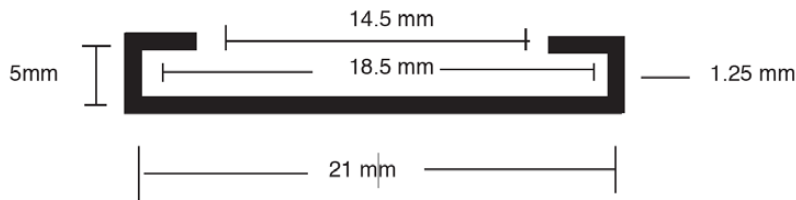




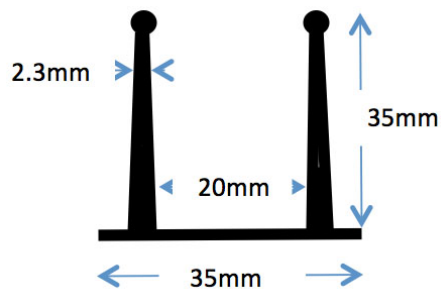
	Code	Description	Material
A	NRG4100	45mm x 14mm 2 finger gasket, “Ü” channel 11mm internal with 45mm leg length and 14mm external. Colour: black.	PVC Nitrile
	NRG4100-G	45mm x 14mm 2 finger gasket, “Ü” channel 11mm internal with 45mm leg length and 14mm external. Colour: grey	PVC Nitrile
	NRG-4100-G-SIL	45mm x 14mm 2 finger gasket, “Ü” channel 11mm internal with 45mm leg length and 14mm external. Colour: grey.	Silicone rubber
B	A900	33mm x 14mm 2 finger gasket, “Ü” channel 11mm internal with 33mm leg length and 14mm external. Colour: grey.	PVC Nitrile
	A900-G	33mm x 14mm 2 finger gasket, “Ü” channel 11mm internal with 33mm leg length and 14mm external. Colour: grey.	PVC Nitrile
	A900-G-SIL	33mm x 14mm 2 finger gasket, “Ü” channel 11mm internal with 33mm leg length and 14mm external.	Silicone rubber
C	AFB10	Aluminium flat bar 10mm x 3mm x 4m gasket fixing strip.	Aluminum



A



B

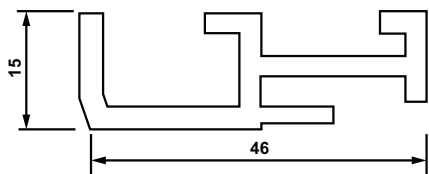


C

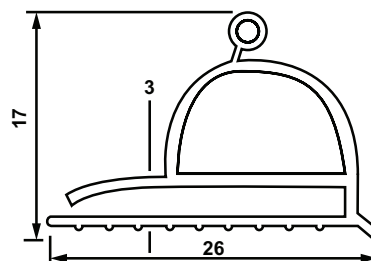
	Code	Description	Material
A	w1240	CRH sliding door frame gasket, 35mmW x 30mmH, 9.15 roll.	Aluminium.
B	W20408	Gasket fixing strip, 21mmW x 5mmH x 3m length.	
B	W1229	CRH floor gasket, 35mmW x 35mmH, 6m roll. Colour: Black.	



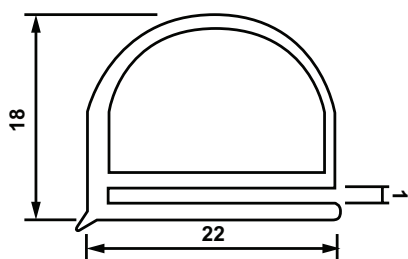




A



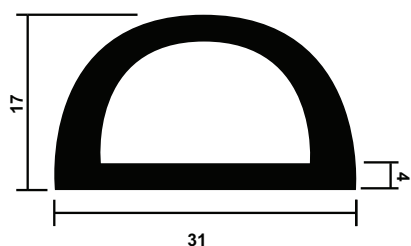
D



B

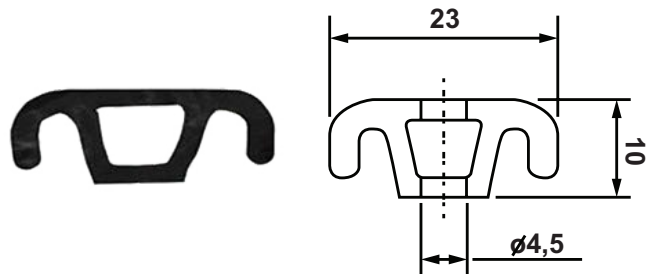


E

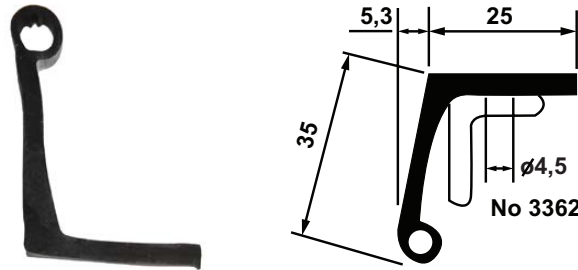


C

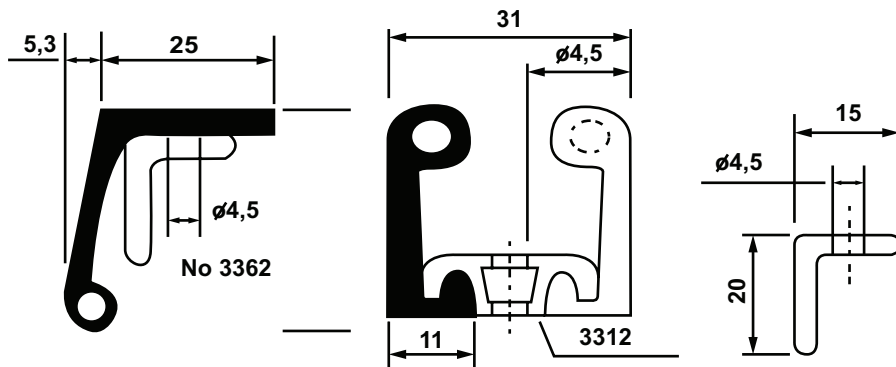
	Code	Description	Material
A	SA3	PVC packer profile - 5000mm. Colour: black.	PVC
B	AW-D5G	D Shape grey nitrile compression high profile door seal with flap attachment, sold in 2200mm lengths.	Food Grade Rubber
C	GSHI-LO-80	D Shape coolroom door compression seal with adhesive backing. Colour: black.	EDPM Sponge
	GSHI-LO	D Shape coolroom door compression seal. Colour: black.	EDPM Sponge
D	NRG53	R Style flap gasket for hinged doors, 26mm wide x 20mm 43mm fixing slot. Colour: black.	PVC Nitrile
E	W5039	CRH hinged door frame gasket, 2200mm roll. Colour: black.	



A

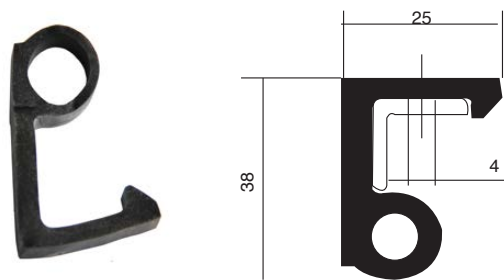


B

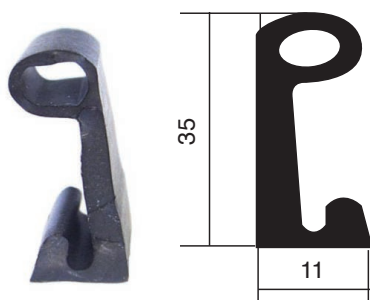


C

	Code	Description	Material
A	F3312	Fermod frame gasket fixing strip. 3.4m length. Colour: black.	PVC
B	F250	Fermod floor gasket (2130). 20m roll includes F3362 fixing strip. Colour: black.	-
C	F2131NGK	Fermod F2131 negative gasket kit for freezer doors. Colour: black.	-
	F2134NGK	Fermod F2134 negative gasket kit for freezer doors. Colour: black.	-
	F2135NGK	Fermod F2135 negative gasket kit for freezer doors. Colour: black.	-
	F2156NGK	Fermod F2156 negative gasket kit for freezer doors. Colour: black.	-



A



B

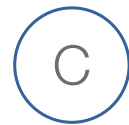
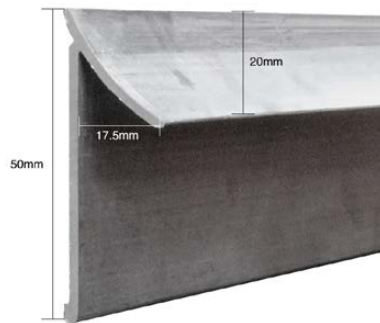
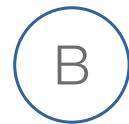
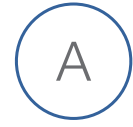
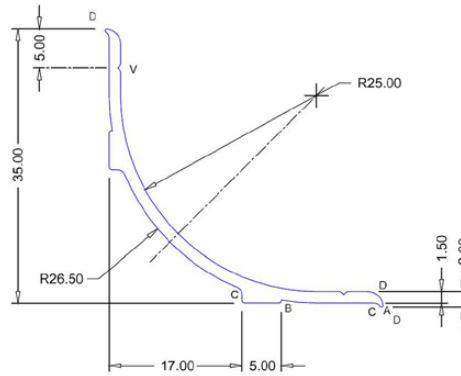


C



D

	Code	Description	Material
A	F3350	Fermod floor gasket and F3362 fixing strip (for F2150) 3.4m. Colour: black.	
B	F8511	Fermod frame gasket and fixing strip (2130/2150) - 24m roll. Colour: black.	
C	F02920DVL250	Fermod bi-part door centre gasket - 2.5m. Colour: grey.	
D	F02962L250	Fermod bi-part door centre gasket fixing strip - 2.5m. Colour: grey.	Aluminium



	Code	Description	Material
A	CCM35 CCM50 CCM75	Aluminum coolroom coving 35mm, 50mm or 75mm radius, 6.5m length. Colour: mill.	Aluminium
B	CCSM35 CCSM50 CCSM75	Aluminum coolroom coving 35mm, 50mm or 75mm radius, 6.5m length. Colour: white.	Powder Coated Surfist
C	CCAHM	Aluminum 20mm coolroom arrowhead coving, 6.5m length. Colour: mill.	Aluminium
	CCAHSM	Aluminum 20mm coolroom arrowhead coving, 6.5m length. Colour: surfmist white.	Aluminium



A



C



B



D

	Code	Description	Material
A	C01	Coving corner block for 35mm radius coving. Colour: mill.	Aluminium
B	C01W	Coving corner block for 35mm radius coving. Colour: white.	Aluminum, powder coated.
C	C02	Arrowhead coving corner block. Colour: mill finish.	Aluminium
D	C02W	Arrowhead coving corner block. Colour: white.	Aluminum, powder coated.



A



B



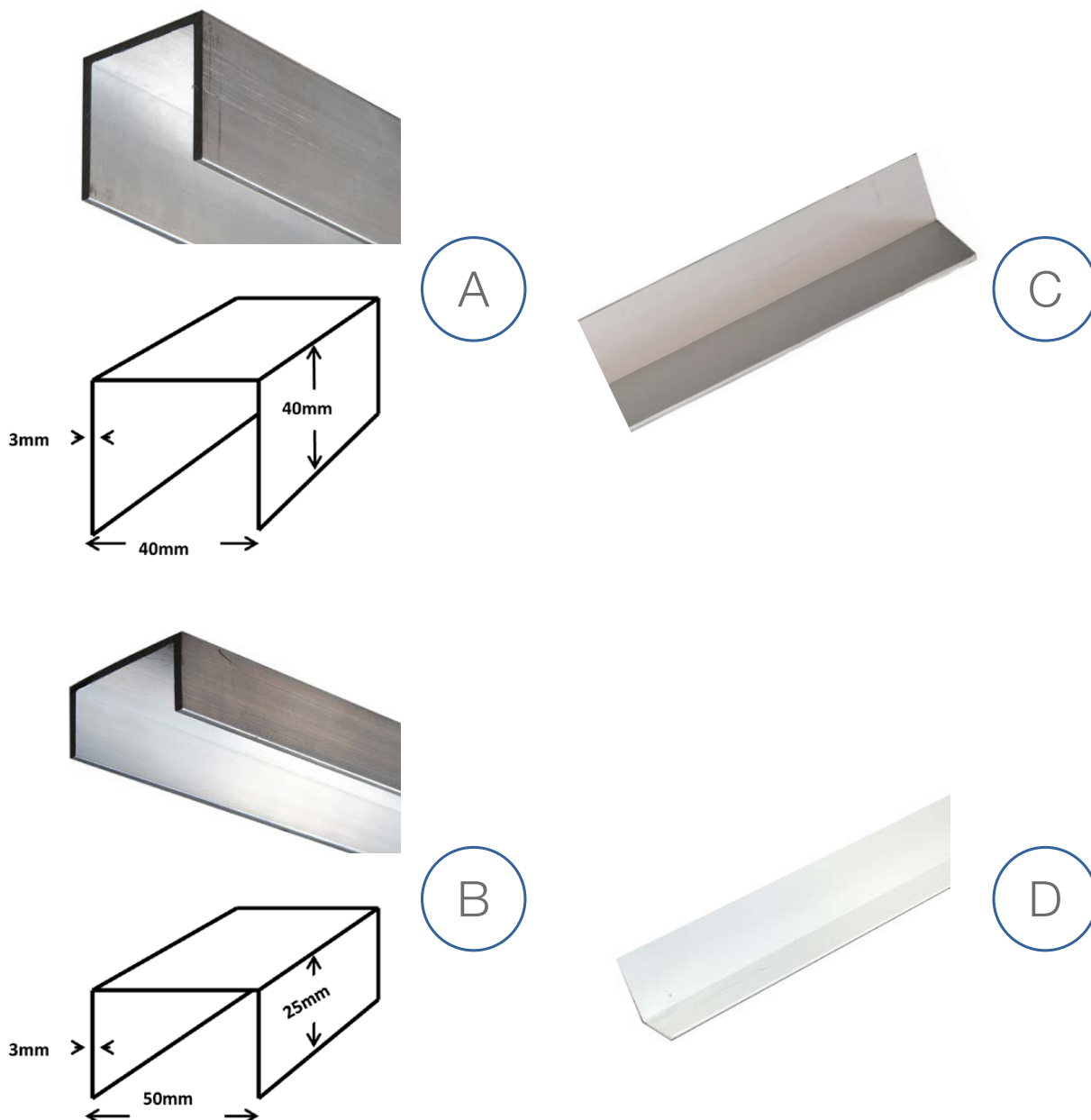
C



D

	Code	Description	Material
A	C05E	External aluminum roof corner to suit 40mm aluminum angle. Colour: mill.	Aluminium
B	C05EW	External aluminum roof corner to suit 40mm aluminum angle. Colour: white.	Aluminium, powder coated.
C	C05IW	External aluminum roof corner to suit 40mm aluminum angle. Colour: mill.	Aluminium
D	C05I	External aluminum roof corner to suit 40mm aluminum angle. Colour: white.	Aluminium, powder coated.





	Code	Description	Material
A	MFC40-325	Sliding door aluminium guide channel to suit floor mounted "H" Type guide roller. 40mm x 40mm x 3mm x 3.25m length.	Aluminium
	MFC40-650	Sliding door aluminium guide channel to suit floor mounted "H" Type guide roller. 40mm x 40mm x 3mm x 6.50m length.	Aluminium
B	MFC50-325	Sliding door aluminium guide channel to suit floor mounted guide roller. 50mm x 25mm x 3mm x 3.25m length.	Aluminium
	MFC50-650	Sliding door aluminium guide channel to suit floor mounted guide roller. 50mm x 25mm x 3mm x 6.50m length.	Aluminium
C	RA4040	Aluminium angle 40mm x 40mm x 1.6mm , 6.5m length. Colour: mill finish.	Aluminium
D	RA4040W	Aluminium angle powder coated surfmist 40mm x 40mm x 1.6mm , 6.5m length. Colour: white.	Aluminium



### WHO IS ZIP-CLIP?

They are manufacturers and innovators of high specification suspension systems for all your HVAC, Electrical, Signage, and Seismic requirements. Zip-Clip has completed many award-winning projects worldwide and continues to innovate and develop products for suspension applications and beyond.

### WHAT IS IT?

It is a range of innovative products designed for speed and ease of use. The clip is manufactured from a high-quality zinc alloy. The oil-impregnated sintered metal wedge is designed to offer the best locking solution. The stainless-steel spring ensures the wedge engages the first time. The galvanised high tensile wire supplied offers you a better SWL than those found on the market. All our engineered suspension products are designed with quality and safety in mind.

### CRH Australia and Zip-Clip

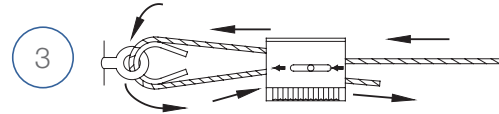
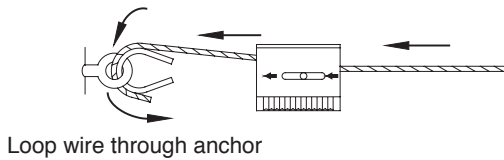
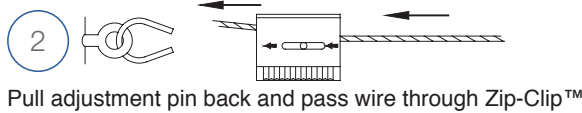
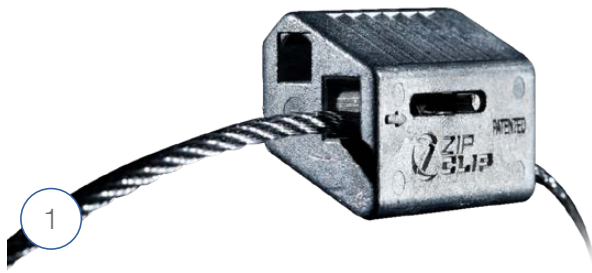
We have teamed up with Zip-Clip to offer an approved insulated panel suspension system in conjunction with our ceiling suspension kits. We hold bulk stock here in Australia and are provisioned to cater to the largest projects with rapid turn around times. Project pricing is available and we encourage all contractors to contact us for quotations.

### TESTED?

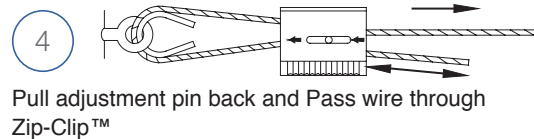
All our Zip-Clip products are independently tested off-site by NEL/TUV, Lloyds British, Apave, MTS and Satra and all clips are UL certificated. Zip-Clips are also tested independently to Australian standards and are approved for insulated panel suspension when used with CRH Australia's ceiling suspension kits. For copies of our test certificates please contact our office.



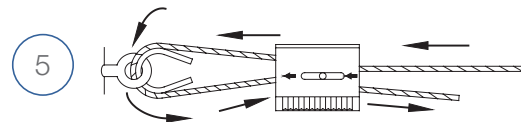




Always confirm engagement of Zip-Clip™ on wire before applying load



Pull adjustment pin back and Pass wire through Zip-Clip™



To adjust, take the load off and pull the tail slightly to disengage teeth, then release using adjustment pin

**The easy adjustment system.**  
**NO TOOLS REQUIRED!**

**Zinc Housing**

One piece die cast zinc alloy combines major anti-corrosion properties with strength and consistent manufacturing quality.

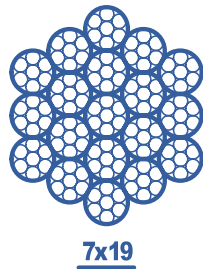
**Locking Wedges**

An oil impregnated sintered steel locking wedge is seated in each of two channels. Both wedges incorporate a release pin for easy adjustment. Each wedge makes contact with the cable using serrated teeth. These teeth press onto the cable and spread the load across the length of the wedge, maximizing grip strength.

**Stainless Steel Springs**

Each spring is manufactured of stainless steel and assures initial engagement of the locking wedge to the wire rope.

Code	Description	Typical Applications	Wire Rope Diameter	Safe Working Load @ 5:1 Safety Factor
KL600	KL600's are designed for use with 6mm (1/4") wire cable.	Ceiling Suspension Systems, Lightings Struts	6.35mm (1/4")	500kg
KL200	KL200's are designed for use with 4.8mm (3/16") wire cable.	Ceiling Suspension Systems, Heavy Cable Trays, Sound Systems	4.8mm (3/16")	300kg



### Cable

Galvanized steel cable supplied by CRH is manufactured to exact standards and statistically tested to verify the breaking strength. Using cable supplied by CRH ensures the safety and integrity of the hanging system.

\* Ask CRH for our most recent cable Batch break weight test certificates  
Zip-Clip can be used to suspend objects safely at angles up to 60 degrees from vertical. However, suspension at angles does reduce the safe working load.



### Looped Cable

Looped cable enhances the Zip-Clip suspension system by the addition of a pre-looped end. Once the wire cable is pulled around the anchor point and through the looped end of the cable, it is already secured at one end, saving time at the job site. The remaining wire cable, "the drop", is passed through a channel in the Zip-Clip.

Then the wire cable is inserted through a fastening point and back up into the second channel of the same cable lock. The locking teeth inside the cable lock engage the wire cable which secures the equipment in place. The tensioning tool completes the adjustment.

Code	Description
RLC4.8-2	4.8mm (3/16) x 2 metre looped cable
RLC4.8-4	4.8mm (3/16) x 4 metre looped cable
RLC4.8-6	4.8mm (3/16) x 6 metre looped cable
RLC4.8-8	4.8mm (3/16) x 8 metre looped cable
RLC4.8-10	4.8mm (3/16) x 10 metre looped cable
RLC6.0-2	6.35mm (1/4) x 2 metre looped cable
RLC6.0-4	6.35mm (1/4) x 4 metre looped cable
RLC6.0-6	6.35mm (1/4) x 6 metre looped cable
RLC6.0-8	6.35mm (1/4) x 8 metre looped cable
RLC6.0-10	6.35mm (1/4) x 10 metre looped cable





Code	Description
30341	As in all aspects of construction there may be times when you need to put a little more tension on the cable than is possible with just your hands. The Zip-Clip Tensioning Tool is for these occasions. It takes all sizes of Zip-Clips and up to 4.8mm (3/16") cable. Designed to apply up to 270kg of tension by holding the Zip-Clip body and pulling the cable through using the cam and anvil. This powerful lever action will tension and retension the cable in seconds.

All Zip-Clips have been independently tested to five times their allowable working load by one or more of the following independent laboratories:

- Melbourne Testing Services - NATA Approved
- SMACNA Testing and Research Institute
- Underwriters Laboratories
- TUV Rheinland
- RADCO Inc, Long Beach CA
- New York Testing Laboratories
- NEL
- APAVE

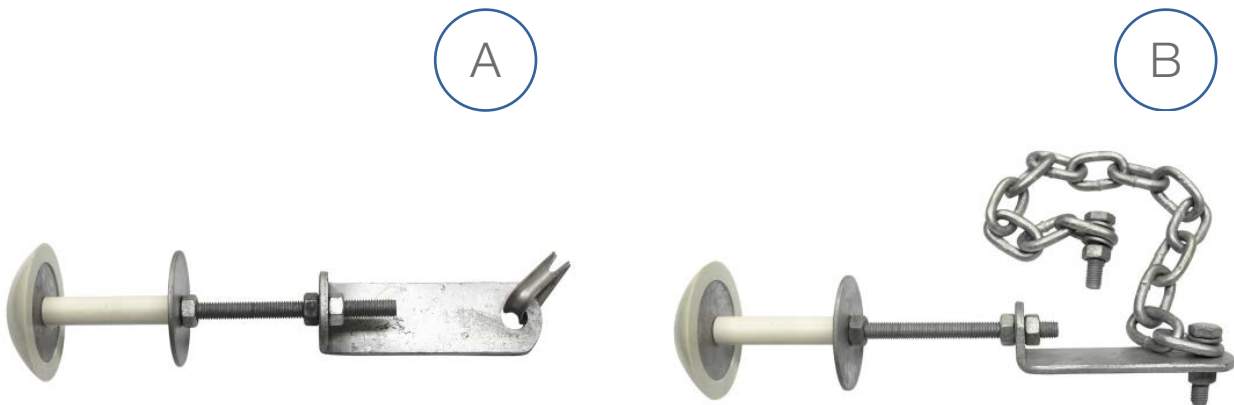
All Zip-Clips have been tested to UL 1598 and are listed under File# E246601



### Warnings

- TO ENSURE HANGING SYSTEM INTEGRITY AND SAFETY, USE ONLY CRH SUPPLIED CABLE.
- DO NOT USE FOR LOADS OUTSIDE THE STATED RANGE OF THE PRODUCT.
- DO NOT EXCEED THE SAFE WORKING LOAD OF THE PRODUCT.
- DO NOT USE Zip-Clip ON COATED CABLE.
- DO NOT APPLY PAINT OR OTHER COATING.
- DO NOT APPLY LUBRICANT.
- DO NOT USE FOR LIFTING.
- KEEP THE PRODUCT CLEAN AND FREE FROM DIRT.
- REMOVE ANY DAMAGED CABLE END PRIOR TO INSERTING INTO THE Zip-Clip.
- DO NOT USE IN CHLORINATED ATMOSPHERES.
- FOR DRY LOCATIONS ONLY.
- FOR USE ON STATIC LOAD APPLICATIONS ONLY.





	Code	Description	Material
A	CSK20075-M10	CRH Ceiling suspension kit - M10, for 75mm panel. For cable.	Hot dipped galvanised, nylon mushroom cap.
	CSK200100-M10	CRH Ceiling suspension kit - M10, for 100mm panel. For cable.	Hot dipped galvanised, nylon mushroom cap.
	CSK300150-M10	Ceiling suspension kit - M10, for 150mm panel. For cable.	Hot dipped galvanised, nylon mushroom cap.
	CSK300200-M10	Ceiling suspension kit - M10, for 200mm panel. For cable.	Hot dipped galvanised, nylon mushroom cap.
	CSK400250-M10	Ceiling suspension kit - M10, for 250mm panel. For cable.	Hot dipped galvanised, nylon mushroom cap.
	CSK20075-M12	Ceiling suspension kit - M12, for 75mm panel.. For cable.	Hot dipped galvanised, nylon mushroom cap.
	CSK200100-M12	Ceiling suspension kit - M12, for 100mm panel. For cable.	Hot dipped galvanised, nylon mushroom cap.
	CSK300150-M12	Ceiling suspension kit - M12, for 150mm panel. For cable.	Hot dipped galvanised, nylon mushroom cap.
B	CSK20075-M10CH	CRH Ceiling Suspension Kit, M10, for 75mm panel. For chain.	Hot dipped galvanised, nylon mushroom cap.
	CSK200100-M10CH	CRH Ceiling Suspension Kit, M10, for 100mm panel. For chain.	Hot dipped galvanised, nylon mushroom cap.
	CSK300150-M10CH	CRH Ceiling Suspension Kit, M10, for 150mm panel. For chain.	Hot dipped galvanised, nylon mushroom cap.
	CSK20075-M12CH	CRH Ceiling Suspension Kit, M12, for 75mm panel. For chain.	Hot dipped galvanised, nylon mushroom cap.
	CSK200100-M12CH	CRH Ceiling Suspension Kit, M12, for 100mm Panel. For chain.	Hot dipped galvanised, nylon mushroom cap.
	CSK300150-M12CH	CRH Ceiling Suspension Kit, M12, for 150mm panel. For chain.	Hot dipped galvanised, nylon mushroom cap.



Code	Description	Material
CRCB10-200	CRH Turnbuckle ceiling suspension kit. M10 thread. Suitable for 50-100mm panel.	<ul style="list-style-type: none"> <li>• Hot dipped galvanised</li> <li>• Nylon mushroom cap</li> </ul>
CRCB10-300	CRH Turnbuckle ceiling suspension kit. M10 thread. Suitable for 50-200mm panel	<ul style="list-style-type: none"> <li>• Hot dipped galvanised</li> <li>• Nylon mushroom cap</li> </ul>
CRCB12-200	CRH Turnbuckle ceiling suspension kit. M12 thread. Suitable for 50-100mm panel.	<ul style="list-style-type: none"> <li>• Hot dipped galvanised</li> <li>• Nylon mushroom cap</li> </ul>
CRCB12-300	CRH Turnbuckle ceiling suspension kit. M12 thread. Suitable for 50-200mm panel.	<ul style="list-style-type: none"> <li>• Zinc plated</li> <li>• Hot dipped galvanised</li> <li>• Nylon mushroom cap</li> </ul>
CRCBZ-10	CRH Ceiling suspension kit, M10 with turnbuckle.	<ul style="list-style-type: none"> <li>• Zinc plated</li> </ul>



Code	Description	Material
WSKC20075-M10	CRH wall suspension kit, HDG M10, for 75mm panel with beam clamp.	Hot dipped galvanised. Nylon mushroom cap.
WSKC200100-M10	CRH wall suspension kit, HDG M10, for 100mm panel with beam clamp.	Hot dipped galvanised. Nylon mushroom cap.
WSKC300150-M10	CRH wall suspension kit, HDG M10, for 150mm panel with beam clamp.	Hot dipped galvanised. Nylon mushroom cap.
WSKC300200-M10	CRH wall suspension kit, HDG M10, for 200mm panel with beam clamp.	Hot dipped galvanised. Nylon mushroom cap.
WSKC400250-M10	CRH wall suspension kit, HDG M10, for 250mm panel with beam clamp.	Hot dipped galvanised. Nylon mushroom cap.
WSKC20075-M12	CRH wall suspension kit, HDG M12, for 75mm panel with beam clamp.	Hot dipped galvanised. Nylon mushroom cap.
WSKC200100-M12	CRH wall suspension kit, HDG M12, for 100mm panel with beam clamp.	Hot dipped galvanised. Nylon mushroom cap.
WSKC300150-M12	CRH wall suspension kit, HDG M12, for 150mm panel with beam clamp.	Hot dipped galvanised. Nylon mushroom cap.
WSKC300200-M12	CRH wall suspension kit, HDG M12, for 200mm panel with beam clamp.	Hot dipped galvanised. Nylon mushroom cap.
WSKC400250-M12	CRH wall suspension kit, HDG M12, for 250mm panel with beam clamp.	Hot dipped galvanised. Nylon mushroom cap.



Code	Description	Material
WSKP20075-M10	CRH wall suspension kit, HDG M10, for 75mm panel with suspension plate.	Hot dipped galvanised.
WSKP200100-M10	CRH wall suspension kit, HDG M10, for 100mm panel with suspension plate.	Hot dipped galvanised.
WSKP300150-M10	CRH wall suspension kit, HDG M10, for 150mm panel with suspension plate.	Hot dipped galvanised.
WSKP300200-M10	CRH wall suspension kit, HDG M10, for 200mm panel with suspension plate.	Hot dipped galvanised.
WSKP400250-M10	CRH wall suspension kit, HDG M10, for 250mm panel with suspension plate.	Hot dipped galvanised.
WSKP20075-M12	CRH wall suspension kit, HDG M12, for 75mm panel with suspension plate.	Hot dipped galvanised.
WSKP200100-M12	CRH wall suspension kit, HDG M12, for 100mm panel with suspension plate.	Hot dipped galvanised.
WSKP300150-M12	CRH wall suspension kit, HDG M12, for 150mm panel with suspension plate.	Hot dipped galvanised.
WSKP300200-M12	CRH wall suspension kit, HDG M12, for 200mm panel with suspension plate.	Hot dipped galvanised.
WSKP400250-M12	CRH wall suspension kit, HDG M12, for 250mm panel with suspension plate.	Hot dipped galvanised.



# INSULATED PANEL SUSPENSION SYSTEMS

## Ceiling Suspension Kit Components



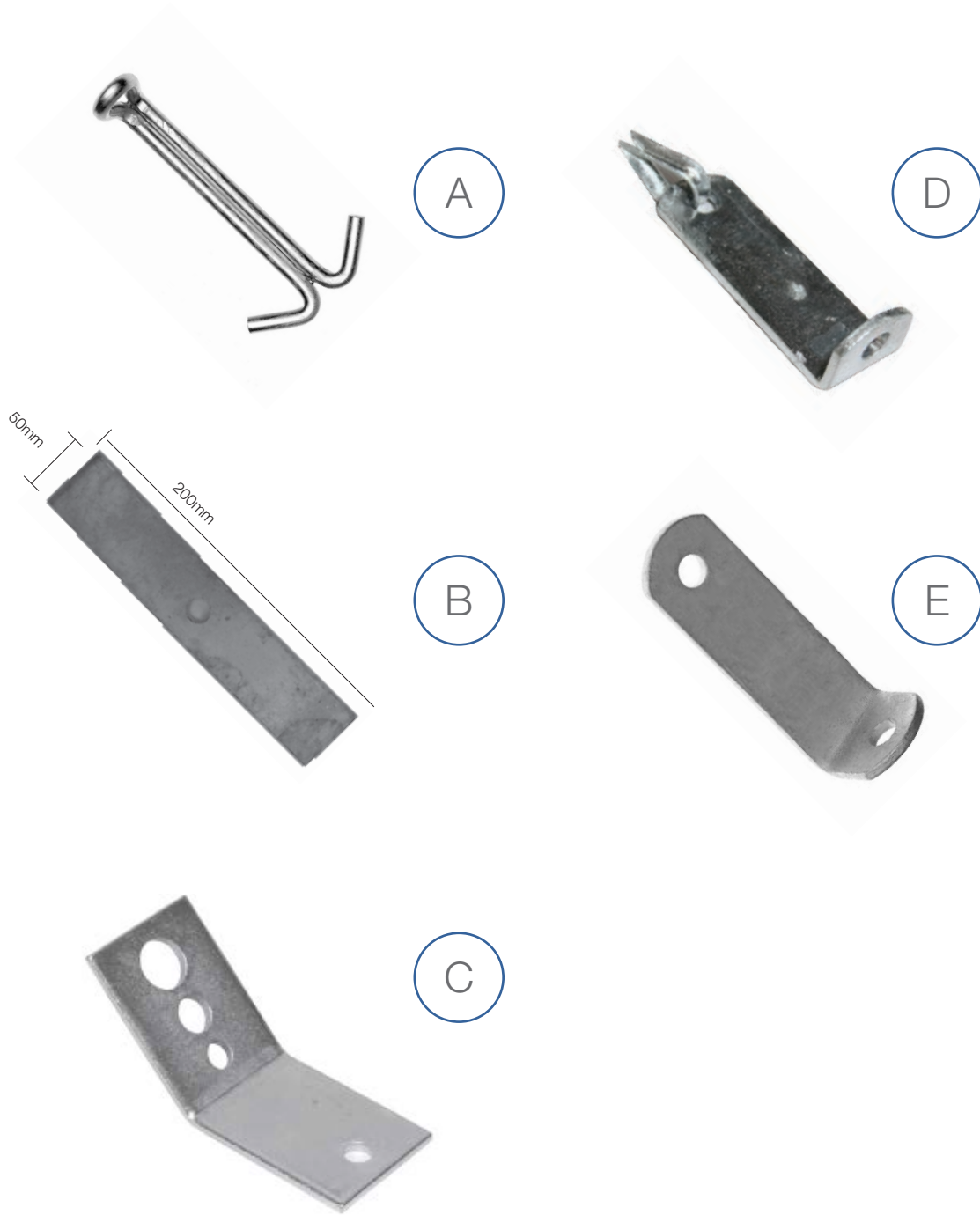
A



B



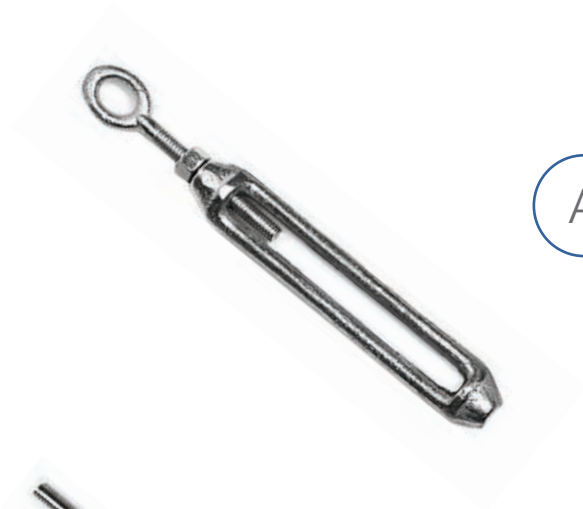
	Code	Description	Material
A	CSD-10	Mushroom cap, M10 Thread, Surf Mist color.	Nylon.
	CSD-12	Mushroom cap, M12 Thread, Surf Mist color.	Nylon.
B	CSDX	CRH Hollow mushroom cap.	Nylon.



	Code	Description	Material
A	CSH	Ceiling suspension hook.	Zinc plated.
B	CSP	Ceiling Suspension Plate 200 x 50 x 8mm.	Hot dipped galvanised.
C	HP45	Hanger Plate.	Zinc plated.
D	A70T	Suspension bracket with thimble. 120mmx40. For use with wire cable.	Hot dipped galvanised.
E	A70	Suspension bracket, 120x40mm.	Hot dipped galvanised.

# INSULATED PANEL SUSPENSION SYSTEMS

## Ceiling Suspension Kit Components



A



C

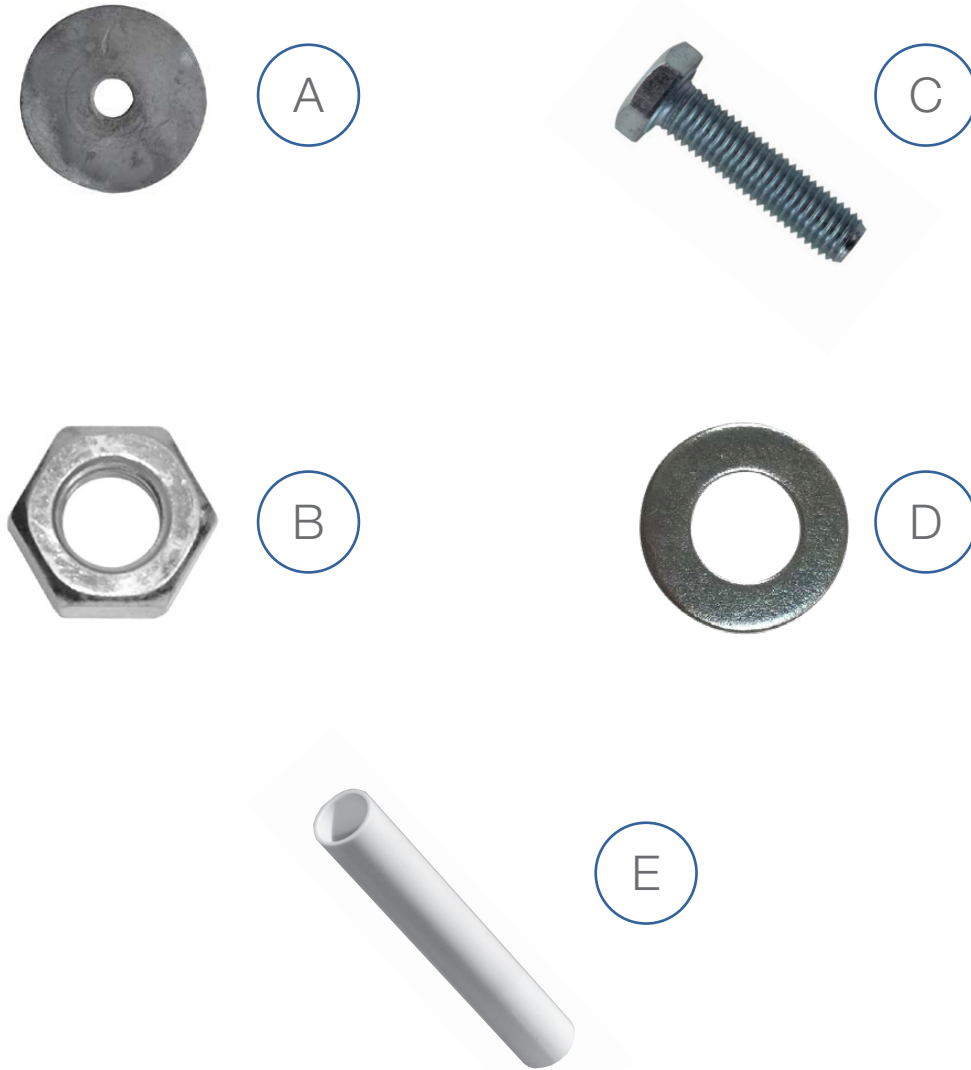


B

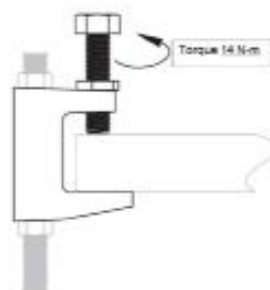
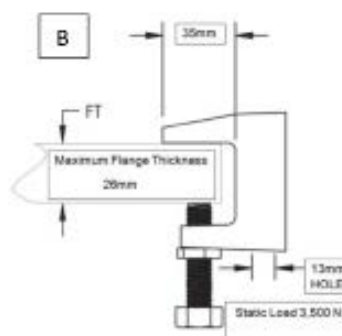
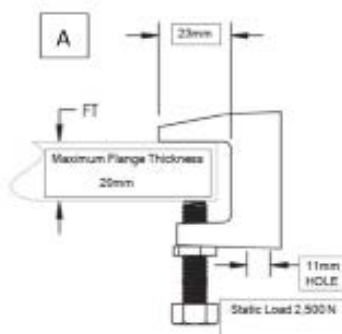
	Code	Description	Material	
A	CRH035	Turnbuckle. M10 ring end.	Hot dipped galvanised.	
	SKZ-001	Turnbuckle. M10.	Zinc Plated.	
B	CRH034	Turnbuckle. M12 ring end.	Hot dipped galvanised.	
	CRH067-200	M10 threaded rod. 200mm.	Hot dipped galvanised.	
	CRH067-300	M10 threaded rod. 300mm.	Hot dipped galvanised.	
	CRH067-400	M10 threaded rod 400mm .	Hot dipped galvanised.	
	SKZ-002	M10 threaded rod. 300mm.	Zinc plated.	
	CRH060-200	M12 threaded rod. 200mm.	Hot dipped galvanised.	
	CRH060-300	M12 threaded rod. 300mm.	Hot dipped galvanised.	
	M10-1000Z	M10 threaded rod. 1000mm.	Zinc plated.	
	C	M12-1000Z	M12 threaded rod. 1000mm.	Zinc plated.

# INSULATED PANEL SUSPENSION SYSTEMS

## Nuts, Bolts, Washers & Spacers



	Code	Description	Material
A	CRH062	Washer. 62mm x 13mm ID x 2.7mm.	Hot dipped galvanised
	SKZ-003	Washer. 62mm x 13mm ID x 2.7mm.	Zinc plated
B	CRH065	Hex nut. M10 x 1.5mm.	Hot dipped galvanised
	SKZ-006	Hex nut. M10 x 1.5mm.	Zinc plated.
	CRH063	Hex nut. M12 x 1.75mm.	Hot dipped galvanised
C	CRH064	Hex bolt. M10 x 40mm.	Hot dipped galvanised
	SKZ-004	Hex bolt. M10 x 40mm.	Zinc plated
D	CRH066	Washer. 20 x 11x1.4mm.	Hot dipped galvanised
	SKZ-005	Washer. 20 x 11x1.4mm.	Zinc plated.
	CRH068	Washer. 27.5 x 12x2.5mm.	Hot dipped galvanised
E	CRH061-75	Tube spacer 75mm x 14mm ID. Suitable for up to M12 thread.	PVC
	CRH061-100	Tube spacer 100mm x 14mm ID. Suitable for up to M12 thread.	PVC
	CRH061-150	Tube spacer 150mm x 14mm ID. Suitable for up to M12 thread.	PVC
	CRH061-200	Tube spacer 200mm x 14mm ID. Suitable for up to M12 thread.	PVC
	CRH061-250	Tube spacer 250mm x 14mm ID. Suitable for up to M12 thread.	PVC



	Code	Description	Material
A	TKN10	Rod hanger beam clamp.	Electrogalvanised cast iron.
B	E389520	M12 Beam clamp.	Electrogalvanised cast iron.



A



B

	Code	Description
A	KE0795-501	6mm regular link galvanized steel commercial chain 60m drum Chain of commercial quality is suitable for general use only. It is not suitable for lifting, suspension under load, or any application subject to control by statutory authorities or requirements.
B	KE0795-5001	6mm regular link galvanized steel commercial chain. 650m length. Wire Rope 4.8mm (3/16") Galvanized 7x19 steel core G2070 per Metre.

**KASON**  
Reputable Quality Since 1926

**THERMAL FLEX  
VINYL STRIP CURTAINS**  
FEATURING NO TOOLS EASIMOUNT™ SYSTEM

THE COMPLETE DOOR CURTAIN IN A BOX THAT  
ASSEMBLES IN MINUTES

AS EASY AS 1,2,3...

1) MOUNT BAR  
2) SLIDE STRIPS INTO BAR  
3) INSERT RETAINER CAP

THERMAL FLEX SWING DOORS ALSO AVAILABLE

SAVES YOU MONEY BY REDUCING  
ENERGY LOSS WHEN YOUR COOLROOM  
OR FREEZER DOOR IS OPEN

ASK US ABOUT OUR LARGE RANGE OF SIZES AND MATERIALS

WAREHOUSE • INDUSTRIAL • REFRIGERATION

**GreenGuard**  
BY KASON INDUSTRIES

### Energy Savings Using Strip Door Curtains

A significant portion of the refrigeration load in walk-in refrigerators/freezers is attributed to infiltration through open doorways. In fact, according to the ASHRAE Refrigeration Handbook, heat gain from infiltration air and associated equipment loads can amount to more than half the total refrigeration load of distribution warehouses and similar applications.

Installing strip curtains across doorways is a proven, effective means to drastically limit infiltration and provide significant saving to operation costs. Below are a few examples to quantify the potential savings. Backup calculations are attached.

#### Example #1 - Walk-in Refrigerator

(from Carrier Totaline brochure)

- Dimensions: 20 x 30 x 10ft
- Floor area: 600sf
- Room temperature: 35f
- Total Refrigerations Load without Strip Curtains = 32,530 BTU/hr
- Total Refrigerations Load with Strip Curtains = 28,817 BTU/hr
- Reduction in Refrigeration Load = 3,713 BTU/hr

**Energy Savings with Strip Curtains = 11%**

**Dollar Savings = \$53/mo -or- \$636/year**

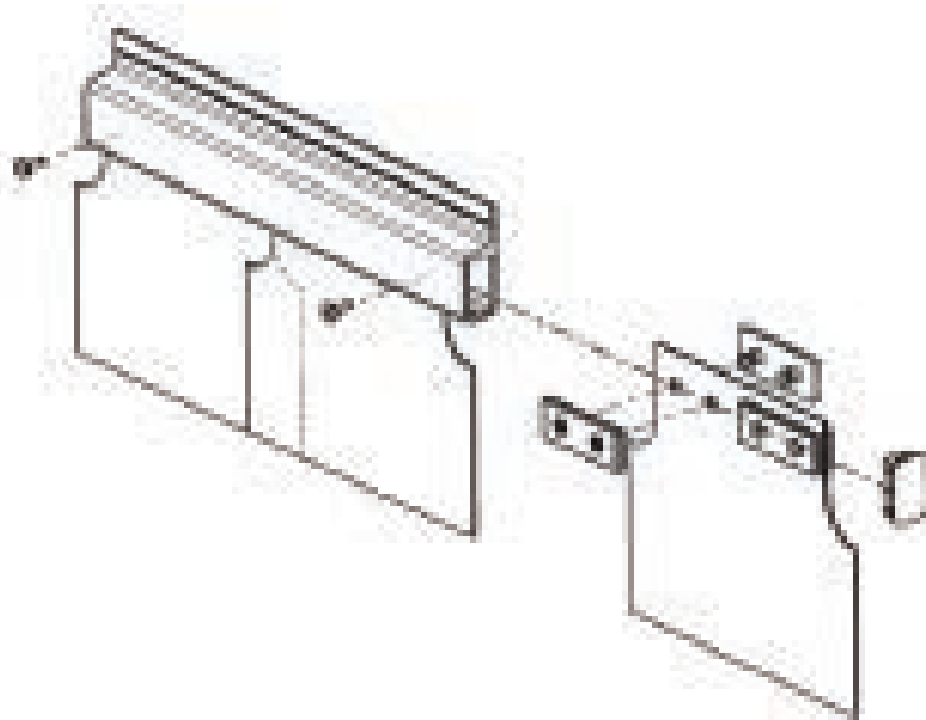
#### Example #2 - Warehouse Storage Freezer

(from ASHRAE Refrigeration Handbook)

- Dimensions: 133 x 222 x 30ft
- Floor area: 29,526sf
- Room temperature: -10F
- Total Refrigerations Load without Strip Curtains = 88.59 tons
- Total Refrigerations Load with Strip Curtains = 72.52 tons
- Reduction in Refrigeration Load = 16.07 tons

**Energy Savings with Strip Curtains = 18%**

**Dollar Savings = \$2,777/mo -or- \$33,324/year**



### **THERMAL FLEX**

#### **PVC Strip Curtain Mounting Instructions:**

1. Using the aluminium channel as a template, make sure channel is level and centred. Opening bar height should allow strips to clear floor 6-10mm. Mark hole patterns with pencil.
2. Drill holes and mount channel with fasteners provided.
3. Insert one end cap at either end of channel.
4. Insert strips through uncapped end of channel.
5. After verifying that all strips are evenly placed and overlapping properly, insert other cap and trim strips if needed for proper floor height.
6. Optional: Insert self-tapping screws at each end of channel through last strip for added retention.







Strong face mounted aluminium headpiece. Our Vinyl Strips with patented fitting are effortless to install or replace. Simply set the height required and trim the strips with a sharp box knife.

Stainless Steel fasteners are supplied for your convenience along with screw spacers should you require your curtains to be clipped down at the end of the day.

Studies show that the installation of a strip door curtain can reduce your energy costs between 9 - 15%.

Code	Description	Overall Size Width x Height EXCL. Headpiece	Strip Size Incl. Mounting Block
KSDC6402285AC	Thermal Flex Strip Door Curtain 640mm x 2240mm	640mm x 2240mm	2mm x 100mm x 2260mm
KSDC7152285AC	Thermal Flex Strip Door Curtain 715mm x 2240mm	715mm x 2240mm	2mm x 100mm x 2260mm
KSDC7902285AC	Thermal Flex Strip Door Curtain 790mm x 2240mm	790mm x 2240mm	2mm x 100mm x 2260mm
KSDC8652285AC	Thermal Flex Strip Door Curtain 865mm x 2240mm	865mm x 2240mm	2mm x 100mm x 2260mm
KSDC9402285AC	Thermal Flex Strip Door Curtain 940mm x 2240mm	940mm x 2240mm	2mm x 100mm x 2260mm
KSDC10152285AC	Thermal Flex Strip Door Curtain 1015mm x 2240mm	1015mm x 2240mm	2mm x 100mm x 2260mm
KSDC10902285AC	Thermal Flex Strip Door Curtain 1090mm x 2240mm	1090mm x 2240mm	2mm x 100mm x 2260mm
KSDC11652285AC	Thermal Flex Strip Door Curtain 1165mm x 2240mm	1165mm x 2240mm	2mm x 100mm x 2260mm
KSDC12452285AC	Thermal Flex Strip Door Curtain 1245mm x 2240mm	1245mm x 2240mm	2mm x 100mm x 2260mm
KSDC13202285AC	Thermal Flex Strip Door Curtain 1320mm x 2240mm	1320mm x 2240mm	2mm x 100mm x 2260mm
KSDC13952285AC	Thermal Flex Strip Door Curtain 1395mm x 2240mm	1395mm x 2240mm	2mm x 100mm x 2260mm
KSDC14702285AC	Thermal Flex Strip Door Curtain 1470mm x 2240mm	1470mm x 2240mm	2mm x 100mm x 2260mm
KSDC15502285AC	Thermal Flex Strip Door Curtain 1550mm x 2240mm	1550mm x 2240mm	2mm x 100mm x 2260mm



Strong face mounted aluminium headpiece. Our Vinyl Strips with patented fitting are effortless to install or replace. Simply set the height required and trim the strips with a sharp box knife.

Stainless Steel fasteners are supplied for your convenience along with screw spacers should you require your curtains to be clipped down at the end of the day.

Studies show that the installation of a strip door curtain can reduce your energy costs between 9 - 15%.

Code	Description	Overall Size Width x Height EXCL. Headpiece	Strip Size Incl. Mounting Block
KSDC16252285AC	Thermal Flex Strip Door Curtain 1625mm x 2240mm	1625mm x 2240mm	2mm x 100mm x 2260mm
KSDC17002285AC	Thermal Flex Strip Door Curtain 1700mm x 2240mm	1700mm x 2240mm	2mm x 100mm x 2260mm
KSDC17752285AC	Thermal Flex Strip Door Curtain 1775mm x 2240mm	1775mm x 2240mm	2mm x 100mm x 2260mm
KSDC18552285AC	Thermal Flex Strip Door Curtain 1855mm x 2240mm	1855mm x 2240mm	2mm x 100mm x 2260mm
KSDC19302285AC	Thermal Flex Strip Door Curtain 1930mm x 2240mm	1930mm x 2240mm	2mm x 100mm x 2260mm
KSDC20052285AC	Thermal Flex Strip Door Curtain 2005mm x 2240mm	2005mm x 2240mm	2mm x 100mm x 2260mm
KSDC20802285AC	Thermal Flex Strip Door Curtain 2080mm x 2240mm	2080mm x 2240mm	2mm x 100mm x 2260mm
KSDC21552285AC	Thermal Flex Strip Door Curtain 2155mm x 2240mm	2155mm x 2240mm	2mm x 100mm x 2260mm
KSDC22352285AC	Thermal Flex Strip Door Curtain 2235mm x 2240mm	2235mm x 2240mm	2mm x 100mm x 2260mm
KSDC23102285AC	Thermal Flex Strip Door Curtain 2310mm x 2240mm	2310mm x 2240mm	2mm x 100mm x 2260mm
KSDC23852285AC	Thermal Flex Strip Door Curtain 2385mm x 2240mm	2385mm x 2240mm	2mm x 100mm x 2260mm
KSDC24602285AC	Thermal Flex Strip Door Curtain 2460mm x 2240mm	2460mm x 2240mm	2mm x 100mm x 2260mm
KSDC25402285AC	Thermal Flex Strip Door Curtain 2540mm x 2240mm	2540mm x 2240mm	2mm x 100mm x 2260mm





Strong face mounted aluminium headpiece. Our Vinyl Strips with patented fitting are effortless to install or replace. Simply set the height required and trim the strips with a sharp box knife.

Stainless Steel fasteners are supplied for your convenience along with screw spacers should you require your curtains to be clipped down at the end of the day.

Studies show that the installation of a strip door curtain can reduce your energy costs between 9 - 15%.

Code	Description	Overall Size Width x Height EXCL. Headpiece	Strip Size Incl. Mounting Block
KSDC8502285BC	Thermal Flex Strip Door Curtain 850mm x 2240mm	850mm x 2240mm	3mm x 150mm x 2260mm
KSDC9652285BC	Thermal Flex Strip Door Curtain 965mm x 2240mm	965mm x 2240mm	3mm x 150mm x 2260mm
KSDC10652285BC	Thermal Flex Strip Door Curtain 1065mm x 2240mm	1065mm x 2240mm	3mm x 150mm x 2260mm
KSDC11652285BC	Thermal Flex Strip Door Curtain 1165mm x 2240mm	1165mm x 2240mm	3mm x 150mm x 2260mm
KSDC12952285BC	Thermal Flex Strip Door Curtain 1295mm x 2240mm	1295mm x 2240mm	3mm x 150mm x 2260mm
KSDC14202285BC	Thermal Flex Strip Door Curtain 1420mm x 2240mm	1420mm x 2240mm	3mm x 150mm x 2260mm
KSDC15252285BC	Thermal Flex Strip Door Curtain 1525mm x 2240mm	1525mm x 2240mm	3mm x 150 mm x 2260mm
KSDC16252285BC	Thermal Flex Strip Door Curtain 1625mm x 2240mm	1625mm x 2240mm	3mm x 150mm x 2260mm
KSDC17502285BC	Thermal Flex Strip Door Curtain 1750mm x 2240mm	1750mm x 2240mm	3mm x 150mm x 2260mm
KSDC18802285BC	Thermal Flex Strip Door Curtain 1880mm x 2240mm	1880mm x 2240mm	3mm x 150mm x 2260mm
KSDC19802285BC	Thermal Flex Strip Door Curtain 1980mm x 2240mm	1980mm x 2240mm	3mm x 150mm x 2260mm
KSDC20852285BC	Thermal Flex Strip Door Curtain 2085mm x 2240mm	2085mm x 2240mm	3mm x 150mm x 2260mm



Strong face mounted aluminium headpiece. Our Vinyl Strips with patented fitting are effortless to install or replace. Simply set the height required and trim the strips with a sharp box knife.

Stainless Steel fasteners are supplied for your convenience along with screw spacers should you require your curtains to be clipped down at the end of the day.

Studies show that the installation of a strip door curtain can reduce your energy costs between 9 - 15%.

Code	Description	Overall Size Width x Height EXCL. Headpiece	Strip Size Incl. Mounting Block
KSDC22102285BC	Thermal Flex Strip Door Curtain 2210mm x 2240mm	2210mm x 2240mm	3mm x 150mm x 2260mm
KSDC23352285BC	Thermal Flex Strip Door Curtain 2235mm x 2240mm	2335mm x 2240mm	3mm x 150mm x 2260mm
KSDC24402285BC	Thermal Flex Strip Door Curtain 2440mm x 2240mm	2440mm x 2240mm	3mm x 150mm x 2260mm
KSDC25402285BC	Thermal Flex Strip Door Curtain 2540mm x 2240mm	2540mm x 2240mm	3mm x 150mm x 2260mm
KSDC26652285BC	Thermal Flex Strip Door Curtain 2665mm x 2240mm	2665mm x 2240mm	3mm x 150mm x 2260mm
KSDC27952285BC	Thermal Flex Strip Door Curtain 2795mm x 2240mm	2795mm x 2240mm	3mm x 150mm x 2260mm
KSDC28952285BC	Thermal Flex Strip Door Curtain 2895mm x 2240mm	2895mm x 2240mm	3mm x 150mm x 2260mm
KSDC29952285BC	Thermal Flex Strip Door Curtain 2995mm x 2240mm	2995mm x 2240mm	3mm x 150mm x 2260mm





Strong face mounted aluminium headpiece. Our Vinyl Strips with patented fitting are effortless to install or replace. Simply set the height required and trim the strips with a sharp box knife.

Stainless Steel fasteners are supplied for your convenience along with screw spacers should you require your curtains to be clipped down at the end of the day.

Studies show that the installation of a strip door curtain can reduce your energy costs between 9 - 15%.

Code	Description	Overall Size Width x Height EXCL. Headpiece	Strip Size Incl. Mounting Block
KSDC8503125BC	Thermal Flex Strip Door Curtain 850mm x 3000mm	850mm x 3000mm	3mm x 150mm x 3050mm
KSDC9653125BC	Thermal Flex Strip Door Curtain 965mm x 3000mm	965mm x 3000mm	3mm x 150mm x 3050mm
KSDC10653125BC	Thermal Flex Strip Door Curtain 1065mm x 3000mm	1065mm x 3000mm	3mm x 150mm x 3050mm
KSDC11653125BC	Thermal Flex Strip Door Curtain 1165mm x 3000mm	1165mm x 3000mm	3mm x 150mm x 3050mm
KSDC12953125BC	Thermal Flex Strip Door Curtain 1295mm x 3000mm	1295mm x 3000mm	3mm x 150mm x 3050mm
KSDC14203125BC	Thermal Flex Strip Door Curtain 1420mm x 3000mm	1420mm x 3000mm	3mm x 150mm x 3050mm
KSDC15253125BC	Thermal Flex Strip Door Curtain 1525mm x 3000mm	1525mm x 3000mm	3mm x 150mm x 3050mm
KSDC16253125BC	Thermal Flex Strip Door Curtain 1625mm x 3000mm	1625mm x 3000mm	3mm x 150mm x 3050mm
KSDC17503125BC	Thermal Flex Strip Door Curtain 1750mm x 3000mm	1750mm x 3000mm	3mm x 150mm x 3050mm
KSDC18803125BC	Thermal Flex Strip Door Curtain 1880mm x 3000mm	1880mm x 3000mm	3mm x 150mm x 3050mm
KSDC19803125BC	Thermal Flex Strip Door Curtain 1980mm x 3000mm	1980mm x 3000mm	3mm x 150mm x 3050mm
KSDC20853125BC	Thermal Flex Strip Door Curtain 2085mm x 3000mm	2085mm x 3000mm	3mm x 150mm x 3050mm



Strong face mounted aluminium headpiece. Our Vinyl Strips with patented fitting are effortless to install or replace. Simply set the height required and trim the strips with a sharp box knife.

Stainless Steel fasteners are supplied for your convenience along with screw spacers should you require your curtains to be clipped down at the end of the day.

Studies show that the installation of a strip door curtain can reduce your energy costs between 9 - 15%.

Code	Description	Overall Size Width x Height EXCL. Headpiece	Strip Size Incl. Mounting Block
KSDC22103125BC	Thermal Flex Strip Door Curtain 2210mm x 3000mm	2210mm x 3000mm	3mm x 150mm x 3050mm
KSDC23353125BC	Thermal Flex Strip Door Curtain 2335mm x 3000mm	2335mm x 3000mm	3mm x 150mm x 3050mm
KSDC24403125BC	Thermal Flex Strip Door Curtain 2440mm x 3000mm	2440mm x 3000mm	3mm x 150mm x 3050mm
KSDC25403125BC	Thermal Flex Strip Door Curtain 2540mm x 3000mm	2540mm x 3000mm	3mm x 150mm x 3050mm
KSDC26653125BC	Thermal Flex Strip Door Curtain 2665mm x 3000mm	2665mm x 3000mm	3mm x 150mm x 3050mm
KSDC27953125BC	Thermal Flex Strip Door Curtain 2795mm x 3000mm	2795mm x 3000mm	3mm x 150mm x 3050mm
KSDC28953125BC	Thermal Flex Strip Door Curtain 2895mm x 3000mm	2895mm x 3000mm	3mm x 150mm x 3050mm
KSDC29953125BC	Thermal Flex Strip Door Curtain 2995mm x 3000mm	2995mm x 3000mm	3mm x 150mm x 3050mm





Strong face mounted aluminium headpiece. Our Vinyl Strips with patented fitting are effortless to install or replace. Simply set the height required and trim the strips with a sharp box knife.

Stainless Steel fasteners are supplied for your convenience along with screw spacers should you require your curtains to be clipped down at the end of the day.

Studies show that the installation of a strip door curtain can reduce your energy costs between 9 - 15%.

Code	Description	Overall Size Width x Height EXCL. Headpiece	Strip Size Incl. Mounting Block
KSDC6402285AF	Thermal Flex Strip Door Curtain 640mm x 2240mm	640mm x 2240mm	2mm x 100mm x 2260mm
KSDC7152285AF	Thermal Flex Strip Door Curtain 715mm x 2240mm	715mm x 2240mm	2mm x 100mm x 2260mm
KSDC7902285AF	Thermal Flex Strip Door Curtain 790mm x 2240mm	790mm x 2240mm	2mm x 100mm x 2260mm
KSDC8652285AF	Thermal Flex Strip Door Curtain 865mm x 2240mm	865mm x 2240mm	2mm x 100mm x 2260mm
KSDC9402285AF	Thermal Flex Strip Door Curtain 940mm x 2240mm	940mm x 2240mm	2mm x 100mm x 2260mm
KSDC10152285AF	Thermal Flex Strip Door Curtain 1015mm x 2240mm	1015mm x 2240mm	2mm x 100mm x 2260mm
KSDC10902285AF	Thermal Flex Strip Door Curtain 1090mm x 2240mm	1090mm x 2240mm	2mm x 100mm x 2260mm
KSDC11652285AF	Thermal Flex Strip Door Curtain 1165mm x 2240mm	1165mm x 2240mm	2mm x 100mm x 2260mm
KSDC12452285AF	Thermal Flex Strip Door Curtain 1245mm x 2240mm	1245mm x 2240mm	2mm x 100mm x 2260mm
KSDC13202285AF	Thermal Flex Strip Door Curtain 1320mm x 2240mm	1320mm x 2240mm	2mm x 100mm x 2260mm
KSDC13952285AF	Thermal Flex Strip Door Curtain 1395mm x 2240mm	1395mm x 2240mm	2mm x 100mm x 2260mm
KSDC14702285AF	Thermal Flex Strip Door Curtain 1470mm x 2240mm	1470mm x 2240mm	2mm x 100mm x 2260mm
KSDC15502285AF	Thermal Flex Strip Door Curtain 1550mm x 2240mm	1550mm x 2240mm	2mm x 100mm x 2260mm



Strong face mounted aluminium headpiece. Our Vinyl Strips with patented fitting are effortless to install or replace. Simply set the height required and trim the strips with a sharp box knife.

Stainless Steel fasteners are supplied for your convenience along with screw spacers should you require your curtains to be clipped down at the end of the day.

Studies show that the installation of a strip door curtain can reduce your energy costs between 9 - 15%.

Code	Description	Overall Size Width x Height EXCL. Headpiece	Strip Size Incl. Mounting Block
KSDC16252285AF	Thermal Flex Strip Door Curtain 1625mm x 2240mm	1625mm x 2240mm	2mm x 100mm x 2260mm
KSDC17002285AF	Thermal Flex Strip Door Curtain 1700mm x 2240mm	1700mm x 2240mm	2mm x 100mm x 2260mm
KSDC17752285AF	Thermal Flex Strip Door Curtain 1775mm x 2240mm	1775mm x 2240mm	2mm x 100mm x 2260mm
KSDC18552285AF	Thermal Flex Strip Door Curtain 1855mm x 2240mm	1855mm x 2240mm	2mm x 100mm x 2260mm
KSDC19302285AF	Thermal Flex Strip Door Curtain 1930mm x 2240mm	1930mm x 2240mm	2mm x 100mm x 2260mm
KSDC20052285AF	Thermal Flex Strip Door Curtain 2005mm x 2240mm	2005mm x 2240mm	2mm x 100mm x 2260mm
KSDC20802285AF	Thermal Flex Strip Door Curtain 2080mm x 2240mm	2080mm x 2240mm	2mm x 100mm x 2260mm
KSDC21552285AF	Thermal Flex Strip Door Curtain 2155mm x 2240mm	2155mm x 2240mm	2mm x 100mm x 2260mm
KSDC22352285AF	Thermal Flex Strip Door Curtain 2235mm x 2240mm	2235mm x 2240mm	2mm x 100mm x 2260mm
KSDC23102285AF	Thermal Flex Strip Door Curtain 2310mm x 2240mm	2310mm x 2240mm	2mm x 100mm x 2260mm
KSDC23852285AF	Thermal Flex Strip Door Curtain 2385mm x 2240mm	2385mm x 2240mm	2mm x 100mm x 2260mm
KSDC24602285AF	Thermal Flex Strip Door Curtain 2460mm x 2240mm	2460mm x 2240mm	2mm x 100mm x 2260mm
KSDC25402285AF	Thermal Flex Strip Door Curtain 2540mm x 2240mm	2540mm x 2240mm	2mm x 100mm x 2260mm







Strong face mounted aluminium headpiece. Our Vinyl Strips with patented fitting are effortless to install or replace. Simply set the height required and trim the strips with a sharp box knife.

Stainless Steel fasteners are supplied for your convenience along with screw spacers should you require your curtains to be clipped down at the end of the day.

Studies show that the installation of a strip door curtain can reduce your energy costs between 9 - 15%.

Code	Description	Overall Size Width x Height EXCL. Headpiece	Strip Size Incl. Mounting Block
KSDC8502285BF	Thermal Flex Strip Door Curtain 850mm x 2240mm	850mm x 2240mm	3mm x 150mm x 2260mm
KSDC9652285BF	Thermal Flex Strip Door Curtain 965mm x 2240mm	965mm x 2240mm	3mm x 150mm x 2260mm
KSDC10652285BF	Thermal Flex Strip Door Curtain 1065mm x 2240mm	1065mm x 2240mm	3mm x 150mm x 2260mm
KSDC11652285BF	Thermal Flex Strip Door Curtain 1165mm x 2240mm	1165mm x 2240mm	3mm x 150mm x 2260mm
KSDC12952285BF	Thermal Flex Strip Door Curtain 1295mm x 2240mm	1295mm x 2240mm	3mm x 150mm x 2260mm
KSDC14202285BF	Thermal Flex Strip Door Curtain 1420mm x 2240mm	1420mm x 2240mm	3mm x 150mm x 2260mm
KSDC15252285BF	Thermal Flex Strip Door Curtain 1525mm x 2240mm	1525mm x 2240mm	3mm x 150mm x 2260mm
KSDC16252285BF	Thermal Flex Strip Door Curtain 1625mm x 2240mm	1625mm x 2240mm	3mm x 150mm x 2260mm
KSDC17502285BF	Thermal Flex Strip Door Curtain 1750mm x 2240mm	1750mm x 2240mm	3mm x 150mm x 2260mm
KSDC18802285BF	Thermal Flex Strip Door Curtain 1880mm x 2240mm	1880mm x 2240mm	3mm x 150mm x 2260mm
KSDC19802285BF	Thermal Flex Strip Door Curtain 1980mm x 2240mm	1980mm x 2240mm	3mm x 150mm x 2260mm
KSDC20852285BF	Thermal Flex Strip Door Curtain 2085mm x 2240mm	2085mm x 2240mm	3mm x 150mm x 2260mm



Strong face mounted aluminium headpiece. Our Vinyl Strips with patented fitting are effortless to install or replace. Simply set the height required and trim the strips with a sharp box knife.

Stainless Steel fasteners are supplied for your convenience along with screw spacers should you require your curtains to be clipped down at the end of the day.

Studies show that the installation of a strip door curtain can reduce your energy costs between 9 - 15%.

Code	Description	Overall Size Width x Height EXCL. Headpiece	Strip Size Incl. Mounting Block
KSDC22102285BF	Thermal Flex Strip Door Curtain 2210mm x 2240mm	2210mm x 2240mm	3mm x 150mm x 2260mm
KSDC23352285BF	Thermal Flex Strip Door Curtain 2235mm x 2240mm	2235mm x 2240mm	3mm x 150mm x 2260mm
KSDC24402285BF	Thermal Flex Strip Door Curtain 2440mm x 2240mm	2440mm x 2240mm	3mm x 150mm x 2260mm
KSDC25402285BF	Thermal Flex Strip Door Curtain 2540mm x 2240mm	2540mm x 2240mm	3mm x 150mm x 2260mm
KSDC26652285BF	Thermal Flex Strip Door Curtain 2665mm x 2240mm	2665mm x 2240mm	3mm x 150mm x 2260mm
KSDC27952285BF	Thermal Flex Strip Door Curtain 2795mm x 2240mm	2795mm x 2240mm	3mm x 150mm x 2260mm
KSDC28952285BF	Thermal Flex Strip Door Curtain 2895mm x 2240mm	2895mm x 2240mm	3mm x 150mm x 2260mm
KSDC29952285BF	Thermal Flex Strip Door Curtain 2995mm x 2240mm	2995mm x 2240mm	3mm x 150mm x 2260mm





Strong face mounted aluminium headpiece. Our Vinyl Strips with patented fitting are effortless to install or replace. Simply set the height required and trim the strips with a sharp box knife.

Stainless Steel fasteners are supplied for your convenience along with screw spacers should you require your curtains to be clipped down at the end of the day.

Studies show that the installation of a strip door curtain can reduce your energy costs between 9 - 15%.

Code	Description	Overall Size Width x Height EXCL. Headpiece	Strip Size Incl. Mounting Block
KSDC8503125BF	Thermal Flex Strip Door Curtain 850mm x 3000mm	850mm x 3000mm	3mm x 150mm x 3050mm
KSDC9653125BF	Thermal Flex Strip Door Curtain 965mm x 3000mm	1065mm x 3000mm	3mm x 150mm x 3050mm
KSDC11653125BF	Thermal Flex Strip Door Curtain 1165mm x 3000mm	1165mm x 3000mm	3mm x 150mm x 3050mm
KSDC12953125BF	Thermal Flex Strip Door Curtain 1295mm x 3000mm	1295mm x 3000mm	3mm x 150mm x 3050mm
KSDC14203125BF	Thermal Flex Strip Door Curtain 1420mm x 3000mm	1420mm x 3000mm	3mm x 150mm x 3050mm
KSDC15253125BF	Thermal Flex Strip Door Curtain 1525mm x 3000mm	1525mm x 3000mm	3mm x 150mm x 3050mm
KSDC16253125BF	Thermal Flex Strip Door Curtain 1625mm x 3000mm	1625mm x 3000mm	3mm x 150mm x 3050mm
KSDC17503125BF	Thermal Flex Strip Door Curtain 1750mm x 3000mm	1750mm x 3000mm	3mm x 150mm x 3050mm
KSDC18803125BF	Thermal Flex Strip Door Curtain 1880mm x 3000mm	1880mm x 3000mm	3mm x 150mm x 3050mm
KSDC19803125BF	Thermal Flex Strip Door Curtain 1980mm x 3000mm	1980mm x 3000mm	3mm x 150mm x 3050mm
KSDC20853125BF	Thermal Flex Strip Door Curtain 2085mm x 3000mm	2085mm x 3000mm	3mm x 150mm x 3050mm
KSDC22103125BF	Thermal Flex Strip Door Curtain 2210mm x 3000mm	2210mm x 3000mm	3mm x 150mm x 3050mm



Strong face mounted aluminium headpiece. Our Vinyl Strips with patented fitting are effortless to install or replace. Simply set the height required and trim the strips with a sharp box knife.

Stainless Steel fasteners are supplied for your convenience along with screw spacers should you require your curtains to be clipped down at the end of the day.

Studies show that the installation of a strip door curtain can reduce your energy costs between 9 - 15%.

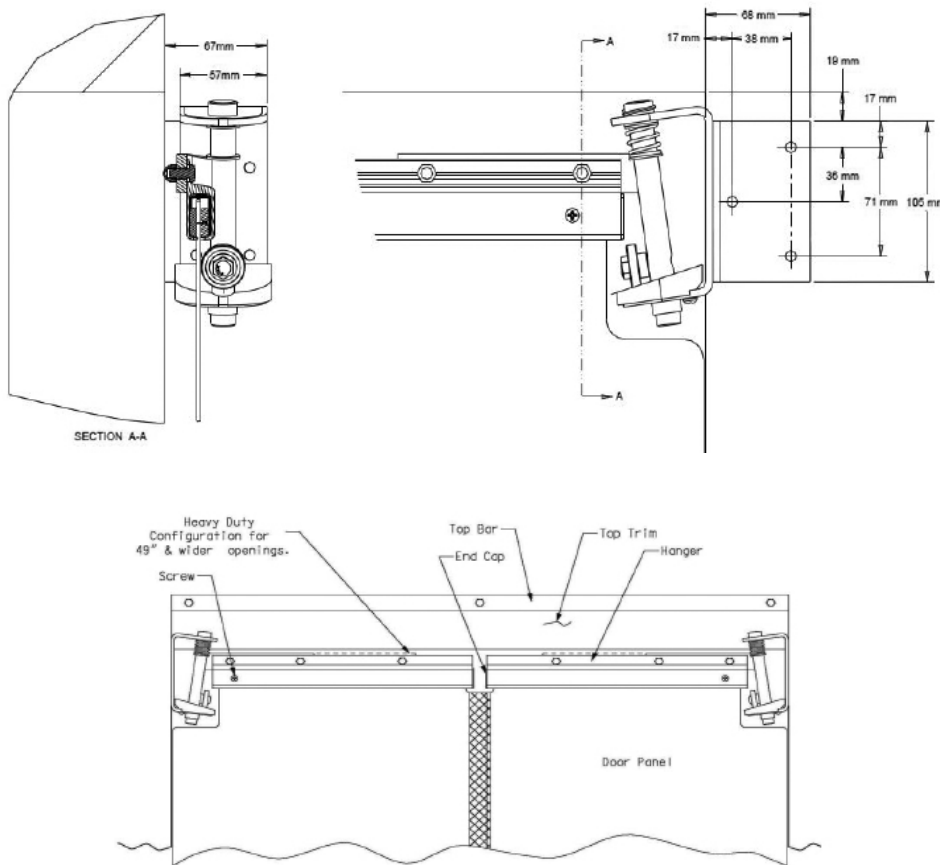
Code	Description	Overall Size Width x Height EXCL. Headpiece	Strip Size Incl. Mounting Block
KSDC23353125BF	Thermal Flex Strip Door Curtain 2335mm x 3000mm	2335mm x 3000mm	3mm x 150mm x 3050mm
KSDC24403125BF	Thermal Flex Strip Door Curtain 2440mm x 3000mm	2440mm x 3000mm	3mm x 150mm x 3050mm
KSDC25403125BF	Thermal Flex Strip Door Curtain 2540mm x 3000mm	2540mm x 3000mm	3mm x 150mm x 3050mm
KSDC26653125BF	Thermal Flex Strip Door Curtain 2665mm x 3000mm	2665mm x 3000mm	3mm x 150mm x 3050mm
KSDC27953125BF	Thermal Flex Strip Door Curtain 2795mm x 3000mm	2795mm x 3000mm	3mm x 150mm x 3050mm
KSDC28953125BF	Thermal Flex Strip Door Curtain 2895mm x 3000mm	2895mm x 3000mm	3mm x 150mm x 3050mm
KSDC29953125BF	Thermal Flex Strip Door Curtain 2995mm x 3000mm	2995mm x 3000mm	3mm x 150mm x 3050mm



Thermal Flex Vinyl Door Strips are effortless to replace. Simply remove the end cap on the head piece, slide out the old or damaged strip, and slide in the new strip, re-fit the end cap.

Trim the bottom if required. Available by the individual strip.

Code	Description
KPVC2260AC12	Thermal Flex PVC Strip, 2mm x 100mm x 2260mm - Cool Room Grade.
KPVC2260AF12	Thermal Flex PVC Strip, 2mm x 100mm x 2260mm - Freezer Grade.
KPVC2260BC12	Thermal Flex PVC Strip, 3mm x 150mm x 2260mm - Cool Room Grade.
KPVC2260BF12	Thermal Flex PVC Strip, 3mm x 150mm x 2260mm - Freezer Grade.
KPVC3100BC12	Thermal Flex PVC Strip, 3mm x 150mm x 3100mm - Cool Room Grade.
KPVC3100BF12	Thermal Flex PVC Strip, 3mm x 150mm x 3100mm - Freezer Grade.
KSDCHP3050	Thermal Flex Headpiece profile KSDCKIT Thermal Flex Fastener Kit.
KSDCKIT	Thermal Flex Fastener Kit.

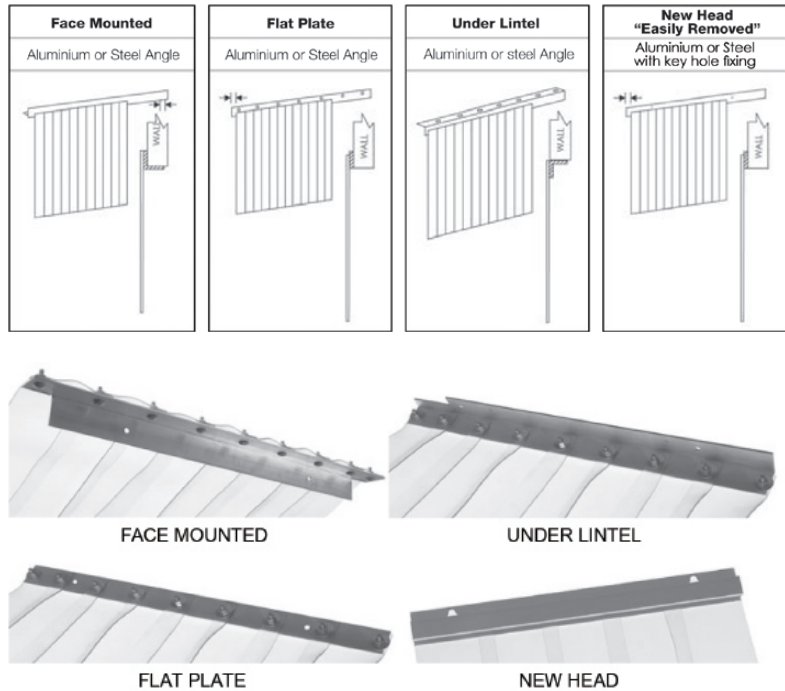


**Hazard Warning:**

Before installing the Thermal Flex door, check for electrical devices on the door jamb. If a light or other device is located on the jamb panel, electrical conduit may be within the panel. Disconnect the power and use extreme caution when drilling into the door jamb.

The Thermal Flex door typically mounts on the inside of the enclosure. If used as a vestibule door, it may be mounted within the opening.

1. Mount the hinges on face of the door frame as shown using suitable mounting hardware. The flange must be located a minimum of 20mm from the top.
2. Slide the door panel into the hanger.
3. Push in the end cap.
4. Slide the door panel against the end cap and secure in place with self tapping screws as shown.
5. Repeat steps 1 through 4 for the other side.
6. To parallel the hanger bar with the top of the opening, loosen the back bolt and reposition bar. If the door panels do not meet in the centre, adjust by loosening the screw on the bottom of the hinge and rotate the cam block. Retighten when adjustments are complete.
7. The door panels should be 6-10mm above the floor. Trim if necessary.
8. Using the Top Bar as a template, mark hole pattern above the door opening. Hang the Top Trim so it is 6mm above the Hanger. Trim if needed.
9. Check for free swing in both directions and that the enclosure door will fully close without interference.



### Description

PVC strip door curtains can be manufactured to your specific requirements. Email or call 1300 274 287 with the internal measurements of your door opening and to discuss the best strip size and headpiece to suit your needs. Delivery to you is approximately 5 working days from date of order.

### PVC Strip Sizes

- Light Duty  
1.5mm thick X 75mm wide clear or coloured PVC Strips  
2mm thick X 100mm wide clear PVC Strips
- Medium Duty  
3mm thick X 150mm or 300mm wide clear PVC Strips  
4mm thick X 150mm, 200mm or 300mm wide clear PVC Strips
- Heavy Duty  
5mm thick X 150mm, 200mm or 300mm and 5mm thickness

Freezer grade also available in 2mm,3mm and 5mm thickness.



Code	Description	Roll Size
SDROLL - 1.5X75	PVC Clear Strip, 1.5mm x 75mm	100m Roll
SDROLL - 1.5X75BLUE	PVC Coloured Strip, 1.5mm x 75mm Colour: Blue	100m Roll
SDROLL - 1.5X75GREEN	PVC Coloured Strip, 1.5mm x 75mm Colour: Green	100m Roll
SDROLL - 1.5X75RED	PVC Coloured Strip, 1.5mm x 75mm Colour: Red	100m Roll
SDROLL - 1.5X75SMOKEYGREY	PVC Coloured Strip, 1.5mm x 75mm Colour: Smokey Grey	100m Roll
SDROLL - 1.5X75YELLOW	PVC Coloured Strip, 1.5mm x 75mm Colour: Yellow	100m Roll
SDROLL - 2X100	PVC Clear Strip, 2mm x 100mm	50m Roll
SDROLL - 2X100F	PVC Clear Strip, 2mm x 100mm Freezer Grade	50m Roll
SDROLL - 2x100R	PVC Clear Strip, 2mm x 100mm , Ribbed	50m Roll
SDROLL - 2X100RF	PVC Clear Ribbed Freezer Strip, 2mm x 100mm Freezer Grade	50m Roll
SDROLL - 2X200	PVC Clear Strip, 2mm x 200mm	50m Roll
SDROLL - 2X200F	PVC Clear Strip, 2mm x 200mm Freezer Grade	50m Roll
SDROLL - 2x200RF	PVC Clear Strip, 2mm x 200mm x 50m, Ribbed Freezer	
SDROLL - 2X200R	PVC Clear Strip, 2mm x 200mm , Ribbed	50m Roll
SDROLL - 3X150	PVC Clear Strip, 3mm x 150mm	50m Roll
SDROLL - 3X150F	PVC Clear Strip, 3mm x 150mm Freezer Grade.	50m Roll
SDROLL - 3X150R	PVC Clear Strip, 3mm x 150mm x 50m, Ribbed	
SDROLL - 3X150RF	PVC Clear Freezer Strip, 3mm x 150mm x 50m Ribbed	
SDROLL - 2X300UVTRED	PVC U TV Welding Red, 2mm x 300mm	50m Roll
SDROLL - 3X300	PVC Clear Strip, 3mm x 300mm	50m Roll
SDROLL - 3X300F	PVC Clear Strip, 3mm x 300mm Freezer Grade	50m Roll
SDROLL - 3x300R	PVC Clear Strip, 3mm x 300mm , Ribbed	50m Roll
SDROLL - 3x300RF	PVC Clear Freezer Strip, 3mm x 300mm x 50m, Ribbed	



**Description:**

CRH Australia is proud, as the exclusive agent, to introduce the Fermod Range of insulated door hardware to the Australian Market. Renowned throughout Europe as the leading manufacturer of insulated door hardware, Fermod has been producing quality, durable systems since 1934.

The Fermod range of products has been used globally in sectors such as Food Service, Pharmaceutical, Cold storage, Supermarket, commercial distribution industries and many more.

Fermod's extensive range of top quality components can cater for all applications of swing doors or sliding doors. All hinges, latches and door hardware kits are fully adjustable, easy to install and include a safety inside release and full mounting instructions, weight ratings are also provided to ensure optimum load-bearing, helping you to choose the correct hardware kit for your door.

The range of swing door hardware is constructed from composite and provides an attractive aesthetic and highly durable and functional product.

As the door is one of the most important and regularly used components of a coolroom/freezer, Fermod's hardware ensure the integrity of the room can be maintained by utilizing the sliding door hardware kits "drop-down and in" method of door closure, this ensures a tight seal each and every time. With ever rising energy costs and consideration of carbon footprint a small change to Fermod hardware can make a huge difference in running costs.

Another important aspect of the Fermod system is the ease of use, this ensures your staff can operate the doors easily and safely with the minimum physical exertion required to open and close the doors. This will further enhance and support any Occupational Health and Safety Policies.

Fermod sliding door kits also give consideration for the total cost of ownership; less wear and tear on the gaskets reduces the amount of maintenance required over the life of the door.

The kits also allow the installer an opportunity to source the panel locally ensuring the most cost competitive offering is available unlike other kits that require a fully imported complete door and frame system.

Fermat sliding door hardware ships in kit form, where you will find all the components including full instructions packed in one easy to transport box.

- System 2130 for sliding doors of maximum door weight of 80 kg, minimum door thickness of 50 mm
- System 2150 for sliding doors of maximum door weight of 120 kg, minimum door thickness of 50 mm

### Features and Advantages

Manual systems 2120 - 2130 - 2150 brackets have the same fixing positioning.

- Using the same track, the difference comes from the accessories and door guiding parts.
- Pleasing appearance and cleanliness are achieved by the 15 microns anodised rail concealing the mechanical components.
- Smooth and silent operation through using a dual roller system.
- Through the use of an anti-derailment feature safety is maximised.
- The rail is easy to mount and requires minimum maintenance.
- Extremely compact.
- Excellent protection against corrosion.
- Products in accordance with the European Directives and Standards.
- The Fermatic 2120-2130-2150 are a perfect answer for use within the Food Industries, Kitchens, Clean Rooms and Supermarkets.



Fermatic 2100 Floor Guided Door Hardware Kits



**Included**

- Fermod’s “Drop Down and In” track system.
- Smooth and silent dual rollers.
- Full pelmet for track.
- Floor guides.
- Gasket.
- Lever handles including inside release.
- Mounting accessories.
- Reference to door blade thickness includes gasket.

**Features and Benefits**

- Positive sealing.
- Positive closing.
- Low maintenance.
- Energy saving.
- Oh&S safe.
- Effortless opening and closing.
- No wear on door seals.
- Fully covered pelmet system.
- Simple installation/instructions included.

Code	Description
F2131-115	Fermod sliding door hardware kit for insulated doors 850mm - 1100mm wide x 2200mm high. 70mm - 115mm thick (including gasket). Maximum door height 2200mm. Weight rated to 80kg.
F2131-160	Fermod sliding door hardware kit for insulated doors 850mm - 1100mm wide x 2200mm high. 115mm - 160mm thick (including gasket). Maximum door height 2200mm. Weight rated to 80kg.
F2134-115	Fermod sliding door hardware kit for insulated doors 1101mm - 1700mm wide. 70mm - 115mm thick (including gasket). Maximum door height 2500mm. Weight rated to 80kg.
F2134-160	Fermod sliding door hardware kit for insulated doors 1101mm - 1700mm wide x 2500mm high. 115mm - 160mm thick (including gasket). Maximum door height 2500mm. Weight rated to 80kg.
F2135-115	Fermod sliding door hardware kit for doors 1701mm to 2000mm wide x 2700mm high. 70mm - 115mm thick (including gasket). Maximum door height 2700mm. Weight rated to 80kg.
F2135-160	Fermod sliding door hardware kit for insulated doors 1701mm - 2000mm wide x 2700mm high. 115mm - 160mm thick (including gasket). Maximum door height 2700mm. Weight rated to 80kg.
F2156-115	Fermod sliding door hardware kit for insulated doors 2001mm - 2300mm wide x 2900mm high. 70mm - 115mm thick (including gasket). Maximum door height 2900mm. Weight rated to 120kg.
F2156-160	Fermod sliding door hardware kit for doors 2001mm - 2300mm wide x 2900mm high. 115mm - 160mm thick (including gasket). Maximum door height 2900mm. Weight rated to 120kg.

Fermod F2130 Wall Guided Sliding System

**Included**

- Fermod’s “Drop Down and In” track system.
- Smooth and silent dual rollers.
- Full pelmet for track.
- Wall guide and rail.
- Gasket.
- Lever handles including inside release.
- Mounting accessories.
- Reference to door blade thickness includes gasket.



**Features and Benefits**

- Suitable for Australian-style door frames that are 15mm-25mm thick.
- Suitable for coolroom and freezer insulated doors.
- Adjustable wall guide to ensure a perfect seal.
- Can be retrofitted on all F2100 series Fermod sliding doors.
- Allows installation of the doors even if the floor is not finished.
- Reliable and efficient - this system exists without the mechanical parts that are prone to damage (rollers, axles and springs).
- Replaces easily damaged floor hardware to give a clean floor area.
- No wear on door seals.
- Simple installation/instructions included
- Patented Wall Guide System protects the door against impact damage, with components that disengage without breakage and are simple to re-engage.



Code	Description
F2131PAN-115	Fermod F2131 wall guided sliding door component kit for insulated panel doors up to 1100mm wide and up to 2200mm high, 70mm - 115mm thick.
F2131PAN-160	Fermod F2131 wall guided sliding door component kit for insulated panel doors up to 1100mm wide, and up to 2200mm high x 115mm - 160mm thick.
F2134PAN-115	Fermod F2134 wall guided sliding door component kit for insulated panel doors 1100mm - 1700mm wide, up to 2500mm high x 70mm - 115mm thick.
F2134PAN-160	Fermod F2134 wall guided sliding door component kit for insulated panel doors 1100mm - 1700mm wide, up to 2500mm high x 115mm - 160mm thick.
F2135PAN-115	Fermod F2135 wall guided sliding door component kit for insulated panel doors 1701mm - 2000mm wide, up to 2700mm high x 70mm - 115mm thick.
F2135PAN-160	Fermod F2135 wall guided sliding door component kit for insulated panel doors 1701mm - 2000mm wide, up to 2700mm high x 115mm - 160mm thick.
F2136PAN-115	Fermod F2136 wall guided sliding door component kit for insulated panel doors 2001mm - 2300mm wide, up to 2700mm high x 70mm - 115mm thick.
F2136PAN-160	Fermod F2135 wall guided sliding door component kit for insulated panel doors 1701mm - 2000mm wide, up to 2700mm high x 115mm - 160mm thick.
F2137PAN-115	Fermod F2136 wall guided sliding door component kit for insulated panel doors 2301mm - 2600mm wide, up to 2700mm high x 70mm - 115mm thick.
F2137PAN-160	Fermod F2136 wall guided sliding door component kit for insulated panel doors 2301mm - 2600mm wide, up to 2700mm high x 115mm - 160mm thick.
F2156PAN-115	Fermod F2156 wall guided sliding door component kit for insulated panel doors 2001mm - 2300mm wide, up to 2900mm high x 70mm - 115mm thick.
F2156PAN-160	Fermod F2156 wall guided sliding door component kit for insulated panel doors 2001mm - 2300mm wide, up to 2900mm high x 115mm - 160mm thick.

Maximum door weight is 80kg.



### Included

- Fermod's "Drop Down and In" track system.
- Smooth and silent rollers.
- Full pelmet for track.
- Floor guides.
- Anti-derailment system.

### Features and Benefits

- Easy opening with synchronized door movement.
- Interlocking gasket on leading edge of door blades.
- Positive sealing.
- Positive closing.
- Low maintenance.
- Energy saving.
- OH&S safe.
- Effortless opening and closing.
- No wear on door seals.
- Fully covered pelmet system.
- Simple installation/instructions included.

### Note

The doors must be constructed the same size for the pulley system to work.

Code	Description
F2135DV	Fermod bi-part sliding system for doors 1691mm to 1990mm (Total width of 2 blades). Maximum door weight is 80kg per blade.
F2136DV	Fermod bi-part sliding system for doors 1991mm to 2290mm (Total width of 2 blades). Maximum door weight is 80kg per blade.
F2137DV	Fermod bi-part sliding system for doors 2291mm to 2592mm. (Total width of 2 blades). Maximum door weight is 80kg per blade.



Code	Description
F5010SVPH	Electronic automation kit for Fermod sliding door kits.



Code	Description
F2131NG	Fermatic sliding door kit - for insulated doors up to 1100mm wide, no guide components included. Featuring the Fermod 'drop down and in' closing action this kit contains the full top rail assembly including track mounted door stops and hanging roller.
F2134NG	Fermatic sliding door kit - doors 1101mm - 1700mm wide, no guide components.
F2135NG	Fermatic sliding door kit - for insulated doors 1701mm - 2000mm wide. No guide components.
F2156NG	Fermatic sliding door kit - doors 2001mm - 2300mm wide. No guide components.



	Code	Description
A	F8730-70/115	Fermod external lever handle, for 70mm - 115mm door blade thickness including gasket.
	F8730-115/160	Fermod external lever handle for 115mm - 160mm door thickness including gasket.
B	F8730-70/115K	Fermod external door lever handle and strike to suit door blade thickness 70mm-115mm including gasket. Includes stainless steel wall strengthening plates, packer and strike fasteners.
C	F8730-115/160K	Fermod external door lever handle and strike to suit door blade thickness 115mm-160mm including gasket. Includes stainless steel wall strengthening plates, packer and strike fasteners.
D	F8530	Fermod spring - loaded internal sliding door lever handle and strike.
E	F8530P	20mm packer for Fermod internal sliding door lever handle and strike.  Packer is used to avoid interference between the F8730 internal release handle and the rubber door gasket.





A



B



C

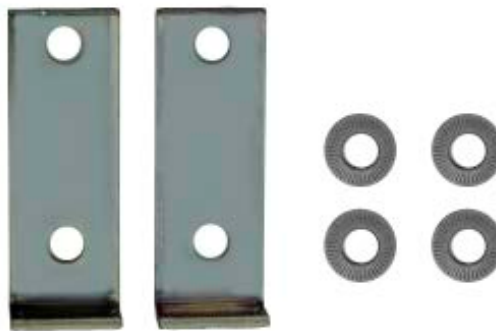


D

	Code	Description
A	F6647803G	Fermod F2130 trolley assembly - left hand. Suits all Fermod F2130 series systems.
B	F6647803D	Fermod F2130 trolley assembly - right hand. Suits all Fermod F2130 series systems.
C	F6602095G	Fermod F2150 trolley assembly - left hand. Suits all Fermod F2130 series systems.
D	F6602095D	Fermod F2150 trolley assembly - right hand. Suits all Fermod F2130 series systems.



A



B



C



D

	Code	Description
A	F60106SAV	Fermod hanging bracket cover set (2) for F2100 Series rollers.
B	F6013503EMB	Fermod adjustment brackets to suit all F2100 Series door roller assemblies.
C	F6602403GSAV	Fermod left hand upper door hanger - assembly for the Bi-parting door system.
D	F6602403DSAV	Fermod right hand upper door hanger - assembly for the Bi-parting door system.





A



B



C



D



E

	Code	Description
A	F61778	Fermod opening floor guide to suit F2150 Series doors.
B	F6177908	Fermod closing floor guide to suit F2150 Series doors.
C	F6180807/2P	Fermod 2mm floor guide packer.
D	F6180807	Fermod opening floor guide to suit F2130 Series doors.
E	F6180808	Fermod closing floor guide to suit F2130 Series doors.



	Code	Description
A	CRH-SSFGRK1.5	CRH floor guide rail - 1500mm. For use with Fermod floor guided systems.
	CRH-SSFGRK2	CRH floor guide rail - 2000mm. For use with Fermod floor guided systems.
	CRH-SSFGRK2.5	CRH floor guide rail - 2500mm. For use with Fermod floor guide rail systems.
	CRH-SSFGRK5	CRH floor guide rail - 5000mm length. For use with Fermod floor guided sliding systems.
B	F1150491	Fermod F2150 Series floor guide rail for insulated doors up to 1100mm wide. Upright movement = 40mm.
	F1150791	Fermod F2150 Series floor guide rail for insulated doors. 1701mm - 200mm wide. Size suits F2151 and F2131 kits. Upright movement = 40mm.
	F1150891	Fermod F2150 Series floor guide rail for insulated doors 1701mm - 2000mm wide. Suits F2130 and F2150 series kits. Upright measurement = 40mm.





A



D



B



E



C



F

	Code	Description
A	F60138	Fermod maintop rail end cover.
B	F6013611	Fermod right hand track stop.
C	F6013711	Fermod left hand track stop.
D	F6037091	Fermod main rail bracket with F60108185SAV rail bracket fastener.
E	F16537	Rail ramp to suit Fermatic F2100 series tracks.
F	F6013991	Fermod running profile clamp for F2130 / F2150 systems.



Code	Description
F1157391/25	Fermod F7540 Series wall guide rail. Designed for application where a 15mm - 25mm thick door frame is used. 5400mm aluminium profile only.
F1157391/36	Fermod F7540 Series wall guide rail. Designed for application where a 26mm - 36mm thick door frame is used. 5400mm aluminium profile only.
F1157391/47	Fermod F7540 Series wall guide rail. Designed for application where a 37mm - 47mm thick door frame is used.



A

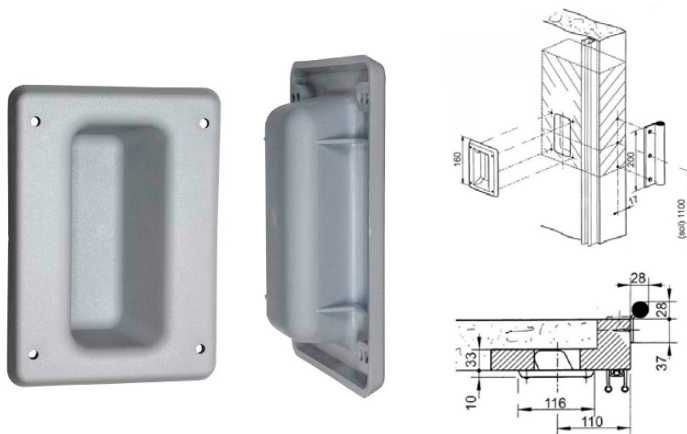


B

	Code	Description
A	F61889EMB	Fermod F8530 internal lever handle strike spare part to the standard F8530 internal lever handle set.
B	F8520	Fermod 8520 recessed pocket with aluminium handle. Panel cut-out size - 260mm long x 130mm high x 40mm deep.



A



B



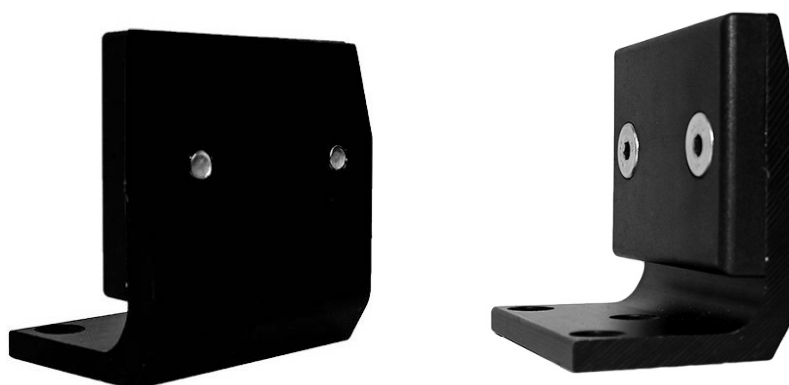
C

	Code	Description	Material
A	F6145791	Fermod edgemount sliding door handle. 200mx70mmx25mm.	Aluminum and composite
B	F2320	Fermod small recessed pull handle. 116mm wide x 55mm high.	
C	F2420	Fermod external sliding door handle. 8mm diameter countersunk screws required.	





A



B

	Code	Description
A	F8230P15	Fermat F8730 strike packer 15mm.
B	F6217100	Fermat F8730 external lever handle strike.



	Code	Description
A	F60259	The F60259 wall guide trolley is the component that slides inside the wall guide rail. It attaches to the main wall guide which is fixed to the edge of the sliding door blade.
B	F6026911SAV	Fermat F7540 wall guide opening guide end cover with guide locator notches.
C	F7540-17190	F7540-17190 wall guide trolley. This component slides inside the wall guide rail and attaches to the main wall guide which is fixed to the edge of the sliding door blade.
D	F7540-17194	Fermat F7540 wall opening guide end cover.



A



B



C



D

	Code	Description
A	F60267EMB	Fermod F7540 wall guide rail end cover with screws. Covers the end of the aluminum wall guide rail profile with 26mm-36mm offset.
B	F60268EMB	Fermod F7540 wall guide rail end cover with screws. Covers the end of the aluminum wall guide rail profile with 36mm-47mm offset.
C	F7540-17192G	Fermod F7540 wall guide rail left hand end cover for 15mm - 25mm profile. Slots into the aluminium wall guide rail profile.
D	F7540-17192D	Fermod F7540 wall guide rail right hand end cover for 15mm - 25mm profile. Slots into the aluminium wall guide rail profile.



A

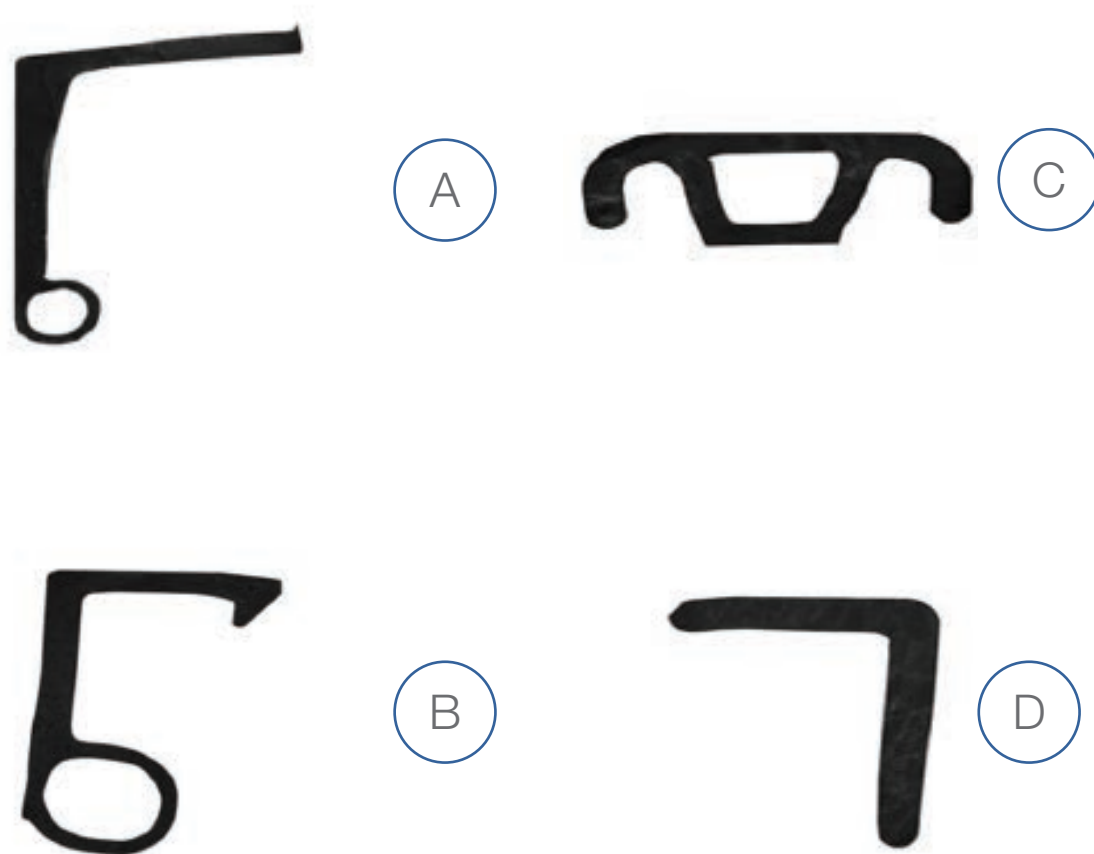


B



C

	Code	Description
A	F61821	Fermod closing guide for F2100 Wall Guided System.
B	F70097	Fermod 7540 wall guide kit. Doors up to 2940 mm wide.
C	Label -WG	Fermod wall guide instruction label. Stick this instruction label to the wall panel above the wall guide rail. All of your staff will understand how easy it is to re-engage the guide system if the door takes a hard knock.



	Code	Description
A	F250	Fermod floor gasket and fixing strip to suit F2130 Series doors. 20m roll
B	F3350	Fermod floor gasket and fixing strip to suit F2150 Series doors. 3.4m roll
C	F3312	Fermod frame gasket fixing strip, 3.4m.
D	F3362	Fermod floor gasket fixing strip, 2.1m length.

FERMOD SLIDING DOOR HARDWARE KITS  
 Fermatic 2100 Series Spare Parts

FERMOD SLIDING DOOR SYSTEMS



A



C

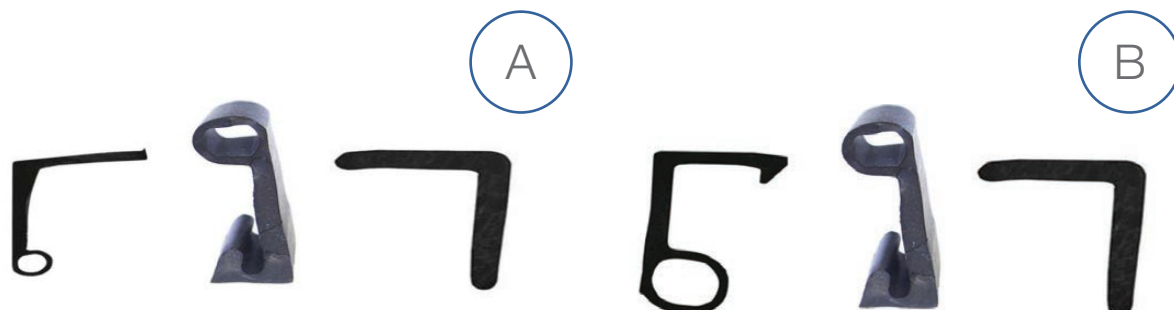


B



D

	Code	Description
A	F8511	Fermod frame gasket and fixing strip (2130/2150), 24m roll.
B	F02920DVL250	Fermod bi-part door centre gasket 2.5m.
C	F02962L250	Fermod bi-part door centre gasket fixing strip - 2.5m.
D	F6010818SAV	Fermod screw for rail bracket.



	Code	Description
A	F2131NGK	Fermod F2131 negative gasket kit for freezer doors.
	F2134NGK	Fermod F2134 negative gasket kit for freezer doors.
	F2135NGK	Fermod F2135 negative gasket kit for freezer doors.
B	F2156NGK	Fermod F2136 negative gasket kit for freezer doors.
C	EL8021325	Aluminium box profile, 100mm x 25mm x 2.5mm, support rail for the Fermatic rail brackets. 3.25m length
	EL8021650	Aluminium box profile, 100mm x 25mm x 2.5mm, support rail for the Fermatic rail brackets. 3.25m length
D	EL8021EC	End cap to suit EL8021 aluminium box profile, 100mm x 25mm x 2.5mm

# COOL ROOM AND FREEZER ROOM LIGHTS

## IP65 LED Light Fittings

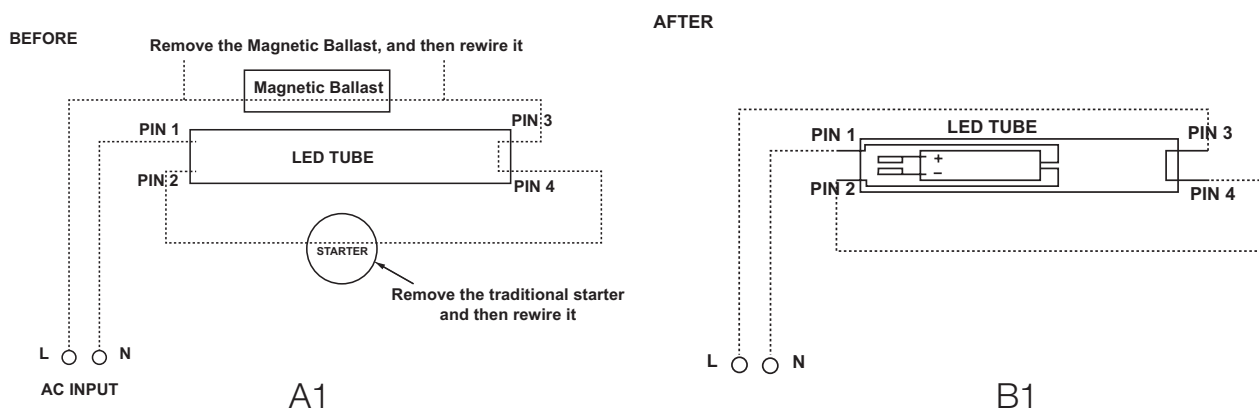


LED units start up instantly and emit very little heat, unlike traditional fluorescent tubes. This makes them ideal for use in cool rooms and freezers as they create less work for your refrigeration plant. Long life, energy efficient, less maintenance. The working temperature range is -40° C to +50° C.

	Code	Description
A	FH9236T8	CRH Twin 18W LED IP65 light fitting, 1200mm. 3060 lumens, 6000-7000K, 90-264V AC, Draws 0.48 amps. Overall dimensions 1250mm x 130mm x 95mm.
B	FH9118T8	CRH Single 9W LED IP65 light fitting. 600mm 765 lumens, 6000-7000K, 90-264V AC. Draws 0.21 amps. Overall dimensions 660mm x 85mm x 95mm.
	FH9136T8	CRH Single 18W LED IP65 light fitting, 1200mm. 1530 lumens, 6000-7000K, 90-264V AC. Draws 0.24 amps. Overall dimensions 1250mm x 85mm x 95mm.







**Installation Instructions**

1. Turn of the electricity supply before installation.
2. A1 shows standard wiring for fluorescent fittings.
3. Remove ballast and starter. Replace starter with 250v HRC type fuse.
4. Wire as shown in B1.
5. Insert LED tube.

**Important Notice**

Changes to electrical wiring should only be performed by a qualified electrician.

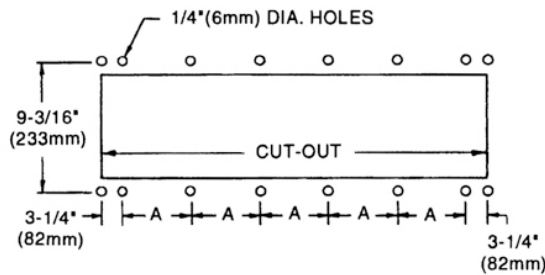
Code	Description
CF001	CRH 435mm 8W 48Pcs 2835 LED tube -cool white, transparent.
CF002	CRH Single 600mm 9W 60Pcs 2835 LED tube -cool white, transparent. Draws 0.21 amps.
CF004	CRH 900mm 13W 96Pcs 2835 LED tube -cool white, transparent. Draws 0.24 amps.
CF006	CRH1200mm 18W 120Pcs 2835 LED tube -cool white, transparent. Draws 0.24 amps.
CF007	CRH1500mm 23W 144Pcs 2835 LED tube -cool white, transparent.

COOLROOM AND FREEZER ROOM LIGHTS  
Bullethead Waterproof fitting

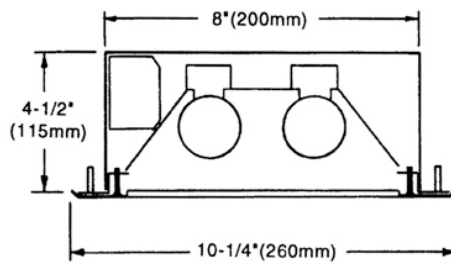


Code	Description	Material
SF-200L	IP65 Bulkhead light with low energy lamp, 280mm x 188mm x 100mm high.	Pressure die cast aluminum





**MOUNTING CUT-OUT DIAGRAM**



Code	Description	Material
404111320	Recessed canopy light with twin 900mm 12w LED	Designed for canopy hood installation with a stainless steel face plate and 3mm reinforced glass diffuser. Waterproof, heatproof and greaseproof construction. All units furnished with mounting brackets. Cut-out required: 960mm x 236mm
404111420	Recessed canopy light with twin 1200mm 12w LED	
404111420 Cover	Recessed canopy light replacement cover with opaque glass and stainless steel frame to suit 404111420	

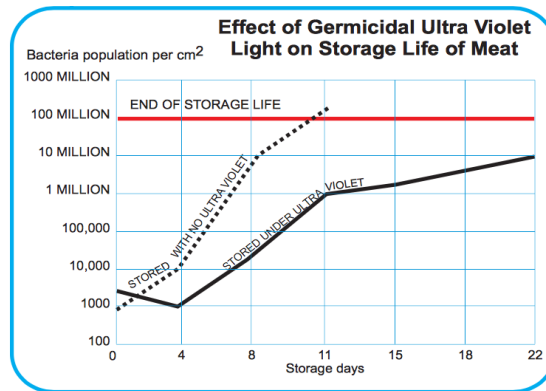
Recessed Canopy Light



Code	Description	Material
K1815000010	Kason 22W LED canopy light fitting. 260mm x 260mm, 110-277VAC, 50/60Hz, 3000K. No ultraviolet emission means that it does not attract insects; 1150 total Lumens; 80% of all available light is projected onto the work surface. Where other ambient light is present fittings should be located at 1200mm centres. 3 Year Limited Warranty.	Stainless steel with tempered glass



A



B

	Code	Description
A	GF600IM	<p>Ultraviolet coolroom germicidal light.</p> <p>The UVP Germicidal units are used extensively in all areas where meat, dairy products, fruit, vegetables etc. are stored or processed. These areas include all cool rooms, salad rooms, cheese storage, bottling lines and locations susceptible to airborne contamination.</p> <p>Benefits of UVP Germicidal units:</p> <ul style="list-style-type: none"> <li>• Increases storage life.</li> <li>• Effectively reduces food spoilage by killing bacteria, viruses, yeasts and mould spores.</li> <li>• Helps prevent coolroom odours.</li> <li>• Reduces food weight loss by allowing coolroom operation at a higher relative humidity.</li> <li>• Lowers running costs by allowing coolroom operation at a higher temperature.</li> <li>• Greatly reduces the need to trim meat, providing maintenance-free operation.</li> <li>• UV lamp is guaranteed effective UV life for one year.</li> </ul>
B	OXIRA XG	<p>OXIRA XG ultraviolet germicidal air neutraliser as a 12V plug and play unit suitable for doctor rooms, nurse stations, aged care residences, child care, any public spaces.</p>



A



B

	Code	Description	Material
A	IT60W	I-Trap Bug Trapper automatically and silently attracts, kills and collects flying insects in high risk and critical food preparation areas.	White Enamelled Steel
B	GB4325	GB4325 black glueboards are designed to suit the IT60W Bug Trapper and should be replaced every 4-6 weeks to ensure maximum effectiveness.	Black Adhesive Paper





A



B

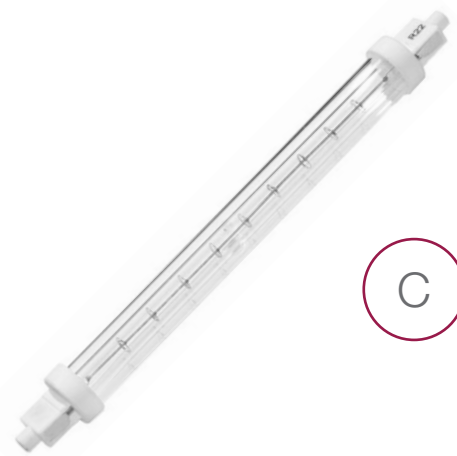
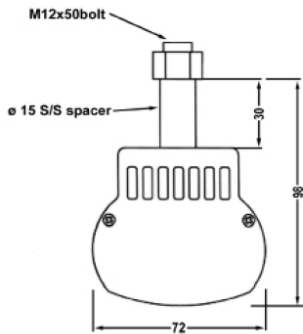


C

	Code	Description	Material
A	IPDIPS161	Surface mount box, single IP66 Switch. Dimensions: 85mmH x 85mmW x 86mmD. 16A switch - 2 way switching. 16A terminal size 4.3mm diameter. Accessory kit included and contains 1 x 2 screw insulated connector, 2 x 25/20mm conduit reducers. Rear screw plugs. Front screw plugs. Max single cable 4mm <sup>2</sup> . Will take twin 2.5mm <sup>2</sup> .	PVC
B	CRH-ILB	Red neon indicator light box with 20mm conduit knockouts. Colour: White	
C	NECFL37BR-BHG	NEC 37W Triphosphor meat display T8 1200mm fluorescent lamp	

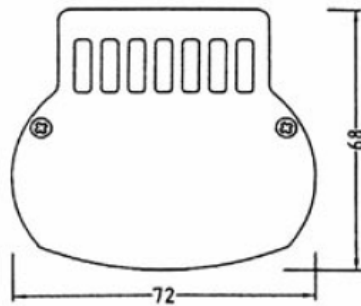
# LIGHTING PRODUCTS

## Heat Lamps and Accessories



	Code	Description
A	AH600-1500J	AH Series heat lamp, 600mm 1 x 500W globe
	AH1200-2500J	AH Series heat lamp, 1200mm 2 x 500W globe
	AH1500-3500J	AH Series heat lamp, 1500mm, 3 x 500W globe
	AH1800-4500J	AH Series heat lamp, 1800mm, 4 x 500W globes
	AH2100-4500J	AH Series heat lamp, 2100mm, 5 x 500W globes
	AH2700-4500J	AH Series heat lamp 2700mm
	Choice of anodised finishes: matt silver, matt gold or bright dip silver. CRH can supply AH Series light fittings custom made to your length specification. Just advise us the overall length you want and we will calculate a custom fitting for you.	
B	EMCA10	R7S lamp holders 10A 250V M14 nut mount
	EMCA20	R7S lamp holder, 10A 240V flange mount
C	QIR240300J	QHL heat lamp, 300W -jacketed 220mm overall length
D	QIR240200J	QHL heat lamp, 200W -jacketed 220mm overall length
	QIR240300J118	QHL heat lamp, 300W -jacketed 118mm overall length
	QIR240500J	QHL heat lamp, 500W -jacketed 220mm overall Length
	QIR240500N	QHL heat lamp, 500W -unjacketed





### Description

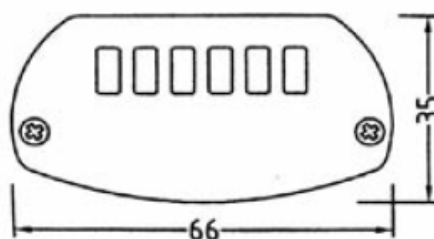
'A' Series fluorescent light fitting. Flexible polycarbonate diffuser

### Finish Options:

- Anodised matt silver (Standard)
- Anodised bright dip silver

CRH can supply A Series light fittings custom made to your length specification. Just advise us the overall length you want up to 4 metres and we will calculate a custom fitting for you.

Code	Description
A470-15	A Series fluorescent light 1 x 15W – 470mm
A625-18	A Series fluorescent light 1 x 18W – 625mm
A930-30	A Series fluorescent light 1 x 30W – 930mm
A1230-36	A Series fluorescent light 1 x 36W – 1230mm
A1530-58	A Series fluorescent light 1 x 58W – 1530mm
A1700-58	A Series fluorescent light 58W - 1700mm
A1800-58	A Series fluorescent light 1 x 58W – 1800mm
A2100-3030	A Series fluorescent light 2 x 30W – 2100mm
A2400-3036	A Series fluorescent light 1 x 30W and 1 x 36W – 2400mm
A2700-3636	A Series fluorescent light 2 x 36W – 2700mm
A3000-5836	A Series fluorescent light 1 x 58W and 1 x 36W – 3000mm
A3600-5858	A Series fluorescent light 2 x 58W – 3600mm



**Description**

'B' Series fluorescent light fitting. Flexible polycarbonate diffuser

**Finish Options:**

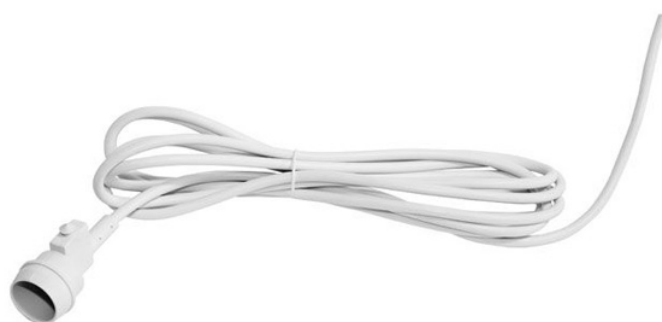
- Anodised matt silver (Standard)
- Anodised bright dip silver

CRH can supply B Series light fittings custom made to your length specification. Just advise us the overall length you want up to 4 metres and we will calculate a custom fitting for you.

Code	Description
B600-10	B Series fluorescent light 1 x 10W – 600mm
B750-15	B Series fluorescent light 1 x 15W – 750mm
B900-18	B Series fluorescent light 1 x 18W – 900mm
B1200-30	B Series fluorescent light 1 x 30W – 1200mm
B1500-36	B Series fluorescent light 1 x 36W – 1500mm
B1850-58	B Series fluorescent light 1 x 58W – 1850mm
B2100-1830	B Series fluorescent light 1 x 18W and 1 x 30W – 2100mm
B2400-3030	B Series fluorescent light 2 x 30W – 2400mm
B2700-3036	B Series fluorescent light 1 x 30W and 1 x 36W – 2700mm
B3000-3636	B Series fluorescent light 2 x 36W – 3000mm
B3300-3658	B Series fluorescent light 1 x 36W and 1 x 58W – 3300mm
B3600-5858	B Series fluorescent light 2 x 58W – 3600mm



A



B



C

	Code	Description	Material
A	M1640	Fluorescent tube cover. Length: 600mm	PVC
	M1641	Fluorescent tube cover. Length: 900mm	PVC
	M1642	Flourescent tube cover. Length: 1200mm	PVC
	M1643	Flourescent tube cover. Length: 1500mm	PVC
B	M1640A	Fluorescent tube lead. Length: 3000mm	PVC
C	M1644	Flourescent tube cover endcap.	PVC



**Features**

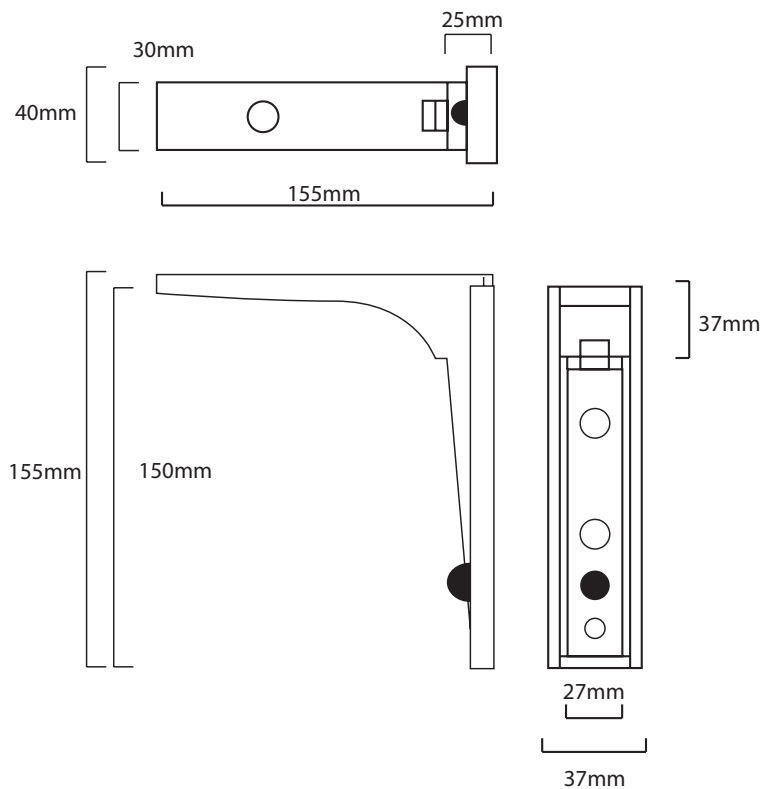
- Electronic ballast
- Complies with minimum energy performance standards
- Individually switched

**Technical Data**

- Uses standard T8 Triphos Lamp
- 5000k
- 230-240 Volt

Important: These are NOT a waterproof fitting. Moisture or cold temperatures may affect the electronics. Electronic Control Gear - must NOT be installed on a circuit with inductive loads.

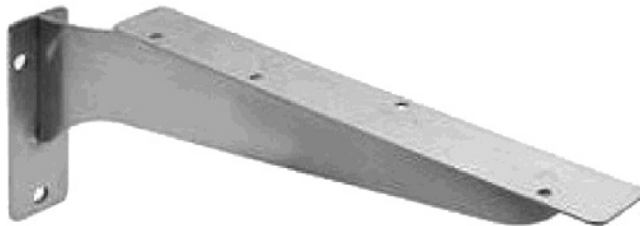
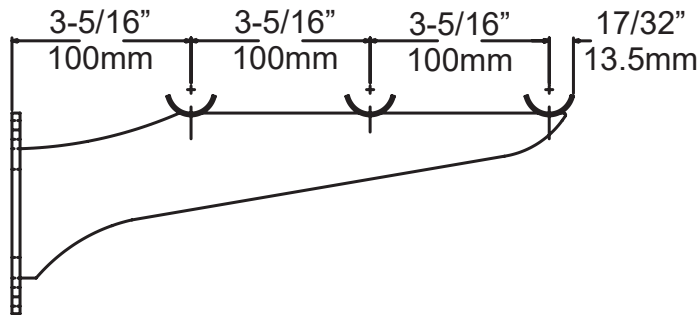
Code	Description
SFE-10CS	T8 Single Fluorescent light fitting with cord set. 10 Watts • Dimensions - Length 412mm x Width 36mm x Height 74mm • Cable Length - 1800mm
SFE-15	T8 Single Fluorescent light fitting. 15 Watts • Dimensions - Length 520mm x Width 36mm x Height 66mm
SFE-18	T8 Single Fluorescent light fitting. 18 Watts • Dimensions - Length 670mm x Width 36mm x Height 66mm
SFE-30	T8 Single Fluorescent light fitting. 30 Watts • Dimensions - Length 975mm x Width 36mm x Height 66mm
SFE-36	T8 Single Fluorescent light fitting. 36 Watts • Dimensions - Length 1280mm x Width 36mm x Height 66mm



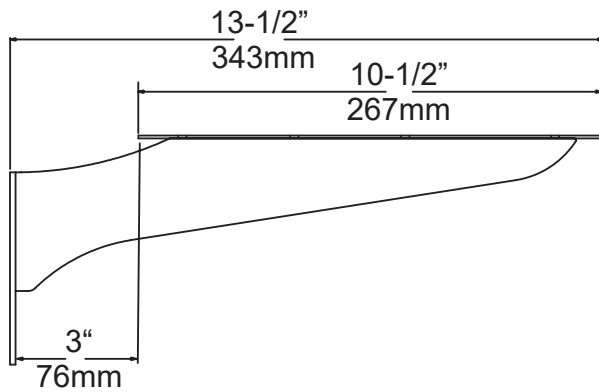
Code	Description
4270S	Fold down shelf bracket. Top Length 180mm x 45mm. Chrome plated with stainless steel shelf mount. Load rating 113.5kg dead weight using 254mm wide shelf with a pair of brackets mounted 610mm apart.



A



B



	Code	Description
A	K03103	Tray slide bracket . 8 gauge stainless steel with #4 satin finish. Supports 3 x 25mm rails. Mounts with 8mm screws
B	K03104	Stationary bracket. Length: 343mm. 300# series, 8 gauge stainless steel with #4 satin finish. Supports a 265mm wide shelf.



Code	Description
K6031000005	Kason drop down tray slide bracket. 8 gauge stainless steel with #4 satin finish. Three rail saddle. Supports 25mm (1") OD Rails. Mounting holes 10mm (3/8") diameter.

# SHELVING & SHELF BRACKETS

## Kason Shelf Strips & Clips



A

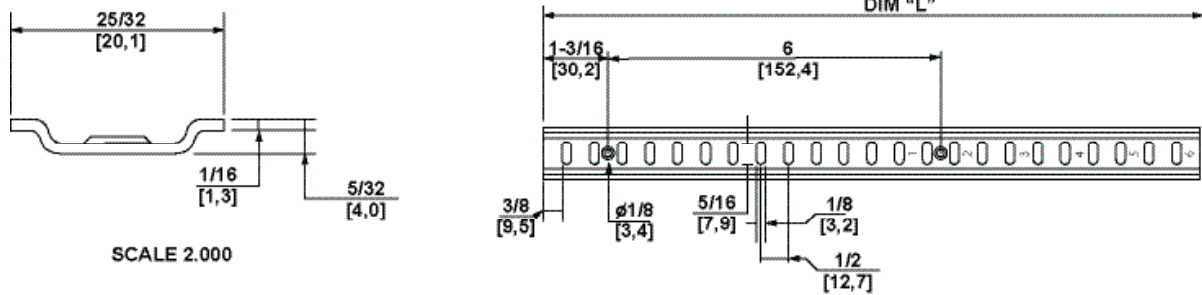


B

	Code	Description
A	SCK	Stainless steel shelf clip. Grade 304.
B	SCLK	Stainless steel shelf clip with retaining lug. Grade 304.





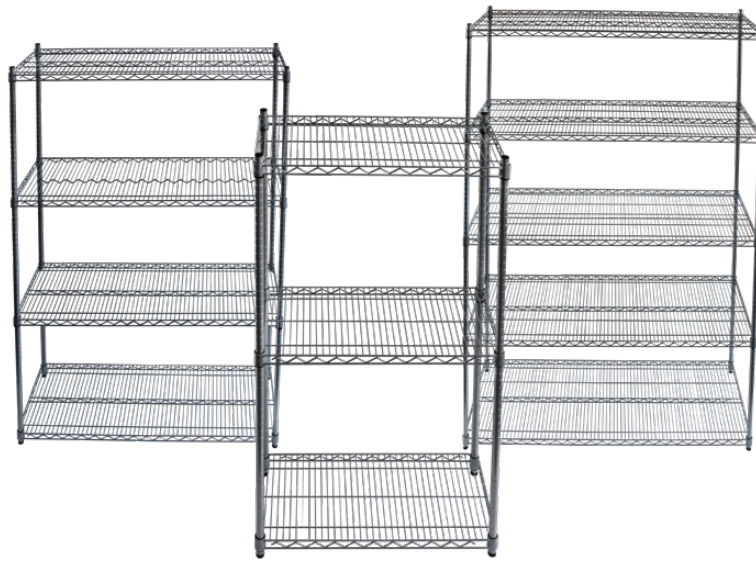


SCALE 2.000

Code	Description
SSA1	Aluminium shelving strip. Length: 1ft (305mm).
SSA2	Aluminium shelving strip. Length: 2ft (610mm).
SSA3	Aluminium shelving strip. Length: 3ft (915mm).
SSA4	Aluminium shelving strip. Length: 4ft (1220mm).
SSA5	Aluminium shelving strip. Length: 5ft (1525mm).
SSA6	Aluminium shelving strip. Length: 6ft (1830mm).
	Load Rating of 35kg per shelving clip applies. Under resting it was shown that 107kg of direct load was required to push the clip free from the shelving strip. Manufacturers maximum safe working load 35kg.

# SHELVING & SHELF BRACKETS

## CRH Epoxy Powder Coated Shelving



### Powder Epoxy Coating Finish

CRH Australia Shelving is the perfect choice for Quality, Strength & Hygiene in the Foodservice Industry.

Constructed from zinc plated steel, the finish is an Epoxy Powder Coating with Anti-Microbial protection. The result is a clean gloss finish with excellent protection against rust & corrosion and ideal for Drystore, Cool Room or Freezer Room application. Anti-Microbial protection is a permanent treatment during the manufacturing process to ease cleaning and inhibit bacterial growth.

Features include:

- A Load Rating of 350kg per shelf (spread evenly across the shelf).
- Easily assembled and shelves adjustable in 25mm increments.
- Anti-Microbial Protection against micro-organisms such as Bacteria, Mould & Algae.
- 5 Year warranty against rust & corrosion.
- Strong wire shelves allow excellent air circulation & visibility.
- Adjustable feet for stability on uneven floor surfaces.
- Powder Epoxy coating finish allows for easy cleaning.
- Optional Castor set (2 Braked & 2 Un-Braked) for easy mobility.
- NSF Approved

Code	Size	Shelving Unit	Weight Rating per Shelf
S355x6033T54P	355mm Deep x 603mm Wide, 1370mm High	3 Tier	350kg
S355x6033T75P	355mm Deep x 603mm Wide, 1900mm High	3 Tier	350kg
S355x6033T86P	355mm Deep x 603mm Wide, 2185mm High	3 Tier	350kg
S355X6034T54P	355mm Deep x 603mm Wide, 1370mm High	4 Tier	350kg
S355X6034T75P	355mm Deep x 603mm Wide, 1900mm Post	4 Tier	350kg
S355X6034T86P	355mm Deep x 603mm Wide, 2185mm Post	4 Tier	350kg
S355X6035T54P	355mm Deep x 603mm Wide, 1370mm Post	5 Tier	350kg
S355x6035T75P	355mm Deep x 603mm Wide, 1900mm Post	5 Tier	350kg
S355x6035T86P	355mm Deep x 603mm Wide, 2185mm Post	5 Tier	350kg
S1424P	Additional shelf		



# SHELVING & SHELF BRACKETS

## CRH Epoxy Powder Coated Shelving

Code	Size	Shelving Unit	Weight Rating per Shelf
S355x7553T54P	355mm Deep x 755mm Wide, 1370mm High	3 Tier	350kg
S355x7553T75P	355mm Deep x 755mm Wide, 1900mm High	3 Tier	350kg
S355x7553T86P	355mm Deep x 755mm Wide, 2185mm High	3 Tier	350kg
S355X7554T54P	355mm Deep x 755mm Wide, 1370mm High	4 Tier	350kg
S355x7554T75P	355mm Deep x 755mm Wide, 1900mm High	4 Tier	350kg
S355x7554T86P	355mm Deep x 755mm Wide, 2185mm High	4 Tier	350kg
S355x7555T54P	355mm Deep x 755mm Wide, 1370mm High	5 Tier	350kg
S355x7555T75P	355mm Deep x 755mm Wide, 1900mm High	5 Tier	350kg
S355x7555T86P	355mm Deep x 755mm Wide, 2185mm High	5 Tier	350kg
S1430P	Additional shelf		
S355x9083T54P	355mm Deep x 908mm Wide, 1370mm High	3 Tier	350kg
S355x9083T75P	355mm Deep x 908mm Wide, 1900mm High	3 Tier	350kg
S355x9083T86P	355mm Deep x 908mm Wide, 2185mm High	3 Tier	350kg
S355X9084T54P	355mm Deep x 908mm Wide, 1370mm High	4 Tier	350kg
S355x9084T75P	355mm Deep x 908mm Wide, 1900mm High	4 Tier	350kg
S355x9084T86P	355mm Deep x 908mm Wide, 2185mm High	4 Tier	350kg
S355x9085T54P	355mm Deep x 908mm Wide, 1370mm High	5 Tier	350kg
S355x9085T75P	355mm Deep x 908mm Wide, 1900mm High	5 Tier	350kg
S355x9085T86P	355mm Deep x 908mm Wide, 2185mm High	5 Tier	350kg
S1436P	Additional shelf		
S355x10603T54P	355mm Deep x 1060mm Wide, 1370mm High	3 Tier	350kg
S355x10603T75P	355mm Deep x 1060mm Wide, 1900mm High	3 Tier	350kg
S355x10603T86P	355mm Deep x 1060mm Wide, 2185mm High	3 Tier	350kg
S355X10604T54P	355mm Deep x 1060mm Wide, 1370mm High	4 Tier	350kg
S355x10604T75P	355mm Deep x 1060mm Wide, 1900mm High	4 Tier	350kg
S355x10604T86P	355mm Deep x 1060mm Wide, 2185mm High	4 Tier	350kg
S355x10605T54P	355mm Deep x 1060mm Wide, 1370mm High	5 Tier	350kg
S355x10605T75P	355mm Deep x 1060mm Wide, 1900mm High	5 Tier	350kg
S355x10605T86P	355mm Deep x 1060mm Wide, 2185mm High	5 Tier	350kg
S1442P	Additional shelf		
S355x12133T54P	355mm Deep x 1213mm Wide, 1370mm High	3 Tier	350kg
S355x12133T75P	355mm Deep x 1213mm Wide, 1900mm High	3 Tier	350kg
S355x12133T86P	355mm Deep x 1213mm Wide, 2185mm High	3 Tier	350kg
S355X12134T54P	355mm Deep x 1213mm Wide, 1370mm High	4 Tier	350kg
S355x12134T75P	355mm Deep x 1213mm Wide, 1900mm High	4 Tier	350kg
S355x12134T86P	355mm Deep x 1213mm Wide, 2185mm High	4 Tier	350kg
S355x12135T54P	355mm Deep x 1213mm Wide, 1370mm High	5 Tier	350kg
S355x12135T75P	355mm Deep x 1213mm Wide, 1900mm High	5 Tier	350kg
S355x12135T86P	355mm Deep x 1213mm Wide, 2185mm High	5 Tier	350kg
S1448P	Additional shelf		

# SHELVING & SHELF BRACKETS

## CRH Epoxy Powder Coated Shelving

Code	Size	Shelving Unit	Weight Rating per Shelf
S355x13653T54P	355mm Deep x 1365mm Wide, 1370mm High	3 Tier	350kg
S355x13653T75P	355mm Deep x 1365mm Wide, 1900mm High	3 Tier	350kg
S355x13653T86P	355mm Deep x 1365mm Wide, 2185mm High	3 Tier	350kg
S355x13654T54P	355mm Deep x 1365mm Wide, 1370mm High	4 Tier	350kg
S355x13654T75P	355mm Deep x 1365mm Wide, 1900mm High	4 Tier	350kg
S355x13654T86P	355mm Deep x 1365mm Wide, 2185mm High	4 Tier	350kg
S355x13655T54P	355mm Deep x 1365mm Wide, 1370mm High	5 Tier	350kg
S355x13655T75P	355mm Deep x 1365mm Wide, 1900mm High	5 Tier	350kg
S355x13655T86P	355mm Deep x 1365mm Wide, 2185mm High	5 Tier	350kg
S1454P	Additional shelf		
S355x15183T54P	355mm Deep x 1518mm Wide, 1370mm High	3 Tier	350kg
S355x15183T75P	355mm Deep x 1518mm Wide, 1900mm High	3 Tier	350kg
S355x15183T86P	355mm Deep x 1518mm Wide, 2185mm High	3 Tier	350kg
S355x15184T54P	355mm Deep x 1518mm Wide, 1370mm High	4 Tier	350kg
S355x15184T75P	355mm Deep x 1518mm Wide, 1900mm High	4 Tier	350kg
S355x15184T86P	355mm Deep x 1518mm Wide, 2185mm High	4 Tier	350kg
S355x15185T54P	355mm Deep x 1518mm Wide, 1370mm High	5 Tier	350kg
S355x15185T75P	355mm Deep x 1518mm Wide, 1900mm High	5 Tier	350kg
S355x15185T86P	355mm Deep x 1518mm Wide, 2185mm High	5 Tier	350kg
S1460P	Additional shelf		
S355x18223T54P	355mm Deep x 1822mm Wide, 1370mm High	3 Tier	350kg
S355x18223T75P	355mm Deep x 1822mm Wide, 1900mm High	3 Tier	350kg
S355x18223T86P	355mm Deep x 1822mm Wide, 2185mm High	3 Tier	350kg
S355x18224T54P	355mm Deep x 1822mm Wide, 1370mm High	4 Tier	350kg
S355x18224T75P	355mm Deep x 1822mm Wide, 1900mm High	4 Tier	350kg
S355x18224T86P	355mm Deep x 1822mm Wide, 2185mm High	4 Tier	350kg
S355x18225T54P	355mm Deep x 1822mm Wide, 1370mm High	5 Tier	350kg
S355x18225T75P	355mm Deep x 1822mm Wide, 1900mm High	5 Tier	350kg
S355x18225T86P	355mm Deep x 1822mm Wide, 2185mm High	5 Tier	350kg
S1472P	Additional shelf		
S457x6033T54P	457mm Deep x 603mm Wide, 1370mm High	3 Tier	350kg
S457x6033T75P	457mm Deep x 603mm Wide, 1900mm High	3 Tier	350kg
S457x6033T86P	457mm Deep x 603mm Wide, 2185mm High	3 Tier	350kg
S457x6034T54P	457mm Deep x 603mm Wide, 1370mm High	4 Tier	350kg
S457x6034T75P	457mm Deep x 603mm Wide, 1900mm High	4 Tier	350kg
S457x6034T86P	457mm Deep x 603mm Wide, 2185mm High	4 Tier	350kg
S457x6035T54P	457mm Deep x 603mm Wide, 1370mm High	5 Tier	350kg
S457x6035T75P	457mm Deep x 603mm Wide, 1900mm High	5 Tier	350kg
S457x6035T86P	457mm Deep x 603mm Wide, 2185mm High	5 Tier	350kg
S1824P	Additional shelf		



# SHELVING & SHELF BRACKETS

## CRH Epoxy Powder Coated Shelving

Code	Size	Shelving Unit	Weight Rating per Shelf
S457x7553T54P	457mm Deep x 755mm Wide, 1370mm High	3 Tier	350kg
S457x7553T75P	457mm Deep x 755mm Wide, 1900mm High	3 Tier	350kg
S457x7553T86P	457mm Deep x 755mm Wide, 2185mm High	3 Tier	350kg
S457x7554T54P	457mm Deep x 755mm Wide, 1370mm High	4 Tier	350kg
S457x7554T75P	457mm Deep x 755mm Wide, 1900mm High	4 Tier	350kg
S457x7554T86P	457mm Deep x 755mm Wide, 2185mm High	4 Tier	350kg
S457x7555T54P	457mm Deep x 755mm Wide, 1370mm High	5 Tier	350kg
S457x7555T75P	457mm Deep x 755mm Wide, 1900mm High	5 Tier	350kg
S457x7555T86P	457mm Deep x 755mm Wide, 2185mm High	5 Tier	350kg
S1830P	Additional shelf		
S457x9083T54P	457mm Deep x 908mm Wide, 1370mm High	3 Tier	350kg
S457x9083T75P	457mm Deep x 908mm Wide, 1900mm High	3 Tier	350kg
S457x9083T86P	457mm Deep x 908mm Wide, 2185mm High	3 Tier	350kg
S457x9084T54P	457mm Deep x 908mm Wide, 1370mm High	4 Tier	350kg
S457x9084T75P	457mm Deep x 908mm Wide, 1900mm High	4 Tier	350kg
S457x9084T86P	457mm Deep x 908mm Wide, 2185mm High	4 Tier	350kg
S457x9085T54P	457mm Deep x 908mm Wide, 1370mm High	5 Tier	350kg
S457x9085T75P	457mm Deep x 908mm Wide, 1900mm High	5 Tier	350kg
S457x9085T86P	457mm Deep x 908mm Wide, 2185mm High	5 Tier	350kg
S1836P	Additional shelf		
S457x10603T54P	457mm Deep x 1060mm Wide, 1370mm High	3 Tier	350kg
S457x10603T75P	457mm Deep x 1060mm Wide, 1900mm High	3 Tier	350kg
S457x10603T86P	457mm Deep x 1060mm Wide, 2185mm High	3 Tier	350kg
S457x10604T54P	457mm Deep x 1060mm Wide, 1370mm High	4 Tier	350kg
S457x10604T75P	457mm Deep x 1060mm Wide, 1900mm High	4 Tier	350kg
S457x10604T86P	457mm Deep x 1060mm Wide, 2185mm High	4 Tier	350kg
S457x10605T54P	457mm Deep x 1060mm Wide, 1370mm High	5 Tier	350kg
S457x10605T75P	457mm Deep x 1060mm Wide, 1900mm High	5 Tier	350kg
S457x10605T86P	457mm Deep x 1060mm Wide, 2185mm High	5 Tier	350kg
S1842P	Additional shelf		
S457x12133T54P	457mm Deep x 1213mm Wide, 1370mm High	3 Tier	350kg
S457x12133T75P	457mm Deep x 1213mm Wide, 1900mm High	3 Tier	350kg
S457x12133T86P	457mm Deep x 1213mm Wide, 2185mm High	3 Tier	350kg
S457x12134T54P	457mm Deep x 1213mm Wide, 1370mm High	4 Tier	350kg
S457x12134T75P	457mm Deep x 1213mm Wide, 1900mm High	4 Tier	350kg
S457x12134T86P	457mm Deep x 1213mm Wide, 2185mm High	4 Tier	350kg
S457x12135T54P	457mm Deep x 1213mm Wide, 1370mm High	5 Tier	350kg
S457x12135T75P	457mm Deep x 1213mm Wide, 1900mm High	5 Tier	350kg
S457x12135T86P	457mm Deep x 1213mm Wide, 2185mm High	5 Tier	350kg
S1848P	Additional shelf		

# SHELVING & SHELF BRACKETS

## CRH Epoxy Powder Coated Shelving

Code	Size	Shelving Unit	Weight Rating per Shelf
S457x13653T54P	457mm Deep x 1365mm Wide, 1370mm High	3 Tier	350kg
S457x13653T75P	457mm Deep x 1365mm Wide , 1900mm High	3 Tier	350kg
S457x13653T86P	457mm Deep x 1365mm Wide, 2185mm High	3 Tier	350kg
S457x13654T54P	457mm Deep x 1365mm Wide, 1370mm High	4 Tier	350kg
S457x13654T75P	457mm Deep x 1365mm Wide, 1900mm High	4 Tier	350kg
S457x13654T86P	457mm Deep x 1365mm Wide, 2185mm High	4 Tier	350kg
S457x13655T54P	457mm Deep x 1365mm Wide, 1370mm High	5 Tier	350kg
S457x13655T75P	457mm Deep x 1365mm Wide, 1900mm High	5 Tier	350kg
S457x13655T86P	457mm Deep x 1365mm Wide, 2185mm High	5 Tier	350kg
S1854P	Additional shelf		
S457x15183T54P	457mm Deep x 1518mm Wide, 1370mm High	3 Tier	350kg
S457x15183T75P	457mm Deep x 1518mm Wide, 1900mm High	3 Tier	350kg
S457x15183T86P	457mm Deep x 1518mm Wide, 2185mm High	3 Tier	350kg
S457x15184T54P	457mm Deep x 1518mm Wide, 1370mm High	4 Tier	350kg
S457x15184T75P	457mm Deep x 1518mm Wide, 1900mm High	4 Tier	350kg
S457x15184T86P	457mm Deep x 1518mm Wide, 2185mm High	4 Tier	350kg
S457x15185T54P	457mm Deep x 1518mm Wide, 1370mm High	5 Tier	350kg
S457x15185T75P	457mm Deep x 1518mm Wide, 1900mm High	5 Tier	350kg
S457x15185T86P	457mm Deep x 1518mm Wide, 2185mm High	5 Tier	350kg
S1860P	Additional shelf		
S457x18223T54P	457mm Deep x 1822mm Wide, 1370mm High	3 Tier	350kg
S457x18223T75P	457mm Deep x 1822mm Wide, 1900mm High	3 Tier	350kg
S457x18223T86P	457mm Deep x 1822mm Wide, 2185mm High	3 Tier	350kg
S457x18224T54P	457mm Deep x 1822mm Wide, 1370mm High	4 Tier	350kg
S457x18224T75P	457mm Deep x 1822mm Wide, 1900mm High	4 Tier	350kg
S457x18224T86P	457mm Deep x 1822mm Wide, 2185mm High	4 Tier	350kg
S457x18225T54P	457mm Deep x 1822mm Wide, 1370mm High	5 Tier	350kg
S457x18225T75P	457mm Deep x 1822mm Wide, 1900mm High	5 Tier	350kg
S457x18225T86P	457mm Deep x 1822mm Wide, 2185mm High	5 Tier	350kg
S1872P	Additional shelf		
S610x6033T54P	610mm Deep x 603mm Wide, 1370mm High	3 Tier	350kg
S610x6033T75P	610mm Deep x 603mm Wide, 1900mm High	3 Tier	350kg
S610x6033T86P	610mm Deep x 603mm Wide, 2185mm High	3 Tier	350kg
S610x6034T54P	610mm Deep x 603mm Wide, 1370mm High	4 Tier	350kg
S610x6034T75P	610mm Deep x 603mm Wide, 1900mm High	4 Tier	350kg
S610x6034T86P	610mm Deep x 603mm Wide, 2185mm High	4 Tier	350kg
S610x6035T54P	610mm Deep x 603mm Wide, 1370mm High	5 Tier	350kg
S610x6035T75P	610mm Deep x 603mm Wide, 1900mm High	5 Tier	350kg
S610x6035T86P	610mm Deep x 603mm Wide, 2185mm High	5 Tier	350kg
S2424P	Additional shelf		



# SHELVING & SHELF BRACKETS

## CRH Epoxy Powder Coated Shelving

Code	Size	Shelving Unit	Weight Rating per Shelf
S610x7553T54P	610mm Deep x 755mm Wide, 1370mm High	3 Tier	350kg
S610x7553T75P	610mm Deep x 755mm Wide, 1900mm High	3 Tier	350kg
S610x7553T86P	610mm Deep x 755mm Wide, 2185mm High	3 Tier	350kg
S610x7554T54P	610mm Deep x 755mm Wide, 1370mm High	4 Tier	350kg
S610x7554T75P	610mm Deep x 755mm Wide, 1900mm High	4 Tier	350kg
S610x7554T86P	610mm Deep x 755mm Wide, 2185mm High	4 Tier	350kg
S610x7555T54P	610mm Deep x 755mm Wide, 1370mm High	5 Tier	350kg
S610x7555T75P	610mm Deep x 755mm Wide, 1900mm High	5 Tier	350kg
S610x7555T86P	610mm Deep x 755mm Wide, 2185mm High	5 Tier	350kg
S2430P	Additional shelf		
S610x9083T54P	610mm Deep x 908mm Wide, 1370mm High	3 Tier	350kg
S610x9083T75P	610mm Deep x 908mm Wide, 1900mm High	3 Tier	350kg
S610x9083T86P	610mm Deep x 908mm Wide, 2185mm High	3 Tier	350kg
S610x9084T54P	610mm Deep x 908mm Wide, 1370mm High	4 Tier	350kg
S610x9084T75P	610mm Deep x 908mm Wide, 1900mm High	4 Tier	350kg
S610x9084T86P	610mm Deep x 908mm Wide, 2185mm High	4 Tier	350kg
S610x9085T54P	610mm Deep x 908mm Wide, 1370mm High	5 Tier	350kg
S610x9085T75P	610mm Deep x 908mm Wide, 1900mm High	5 Tier	350kg
S610x9085T86P	610mm Deep x 908mm Wide, 2185mm High	5 Tier	350kg
S2436P	Additional shelf		
S610x10603T54P	610mm Deep x 1060mm Wide, 1370mm High	3 Tier	350kg
S610x10603T75P	610mm Deep x 1060mm Wide, 1900mm High	3 Tier	350kg
S610x10603T86P	610mm Deep x 1060mm Wide, 2185mm High	3 Tier	350kg
S610x10604T54P	610mm Deep x 1060mm Wide, 1370mm High	4 Tier	350kg
S610x10604T75P	610mm Deep x 1060mm Wide, 1900mm High	4 Tier	350kg
S610x10604T86P	610mm Deep x 1060mm Wide, 2185mm High	4 Tier	350kg
S610x10605T54P	610mm Deep x 1060mm Wide, 1370mm High	5 Tier	350kg
S610x10605T75P	610mm Deep x 1060mm Wide, 1900mm High	5 Tier	350kg
S610x10605T86P	610mm Deep x 1060mm Wide, 2185mm High	5 Tier	350kg
S2442P	Additional shelf		
S610x12133T54P	610mm Deep x 1213mm Wide, 1370mm High	3 Tier	350kg
S610x12133T75P	610mm Deep x 1213mm Wide, 1900mm High	3 Tier	350kg
S610x12133T86P	610mm Deep x 1213mm Wide, 2185mm High	3 Tier	350kg
S610x12134T54P	610mm Deep x 1213mm Wide, 1370mm High	4 Tier	350kg
S610x12134T75P	610mm Deep x 1213mm Wide, 1900mm High	4 Tier	350kg
S610x12134T86P	610mm Deep x 1213mm Wide, 2185mm High	4 Tier	350kg
S610x12135T54P	610mm Deep x 1213mm Wide, 1370mm High	5 Tier	350kg
S610x12135T75P	610mm Deep x 1213mm Wide, 1900mm High	5 Tier	350kg
S610x12135T86P	610mm Deep x 1213mm Wide, 2185mm High	5 Tier	350kg
S2448P	Additional shelf		

# SHELVING & SHELF BRACKETS

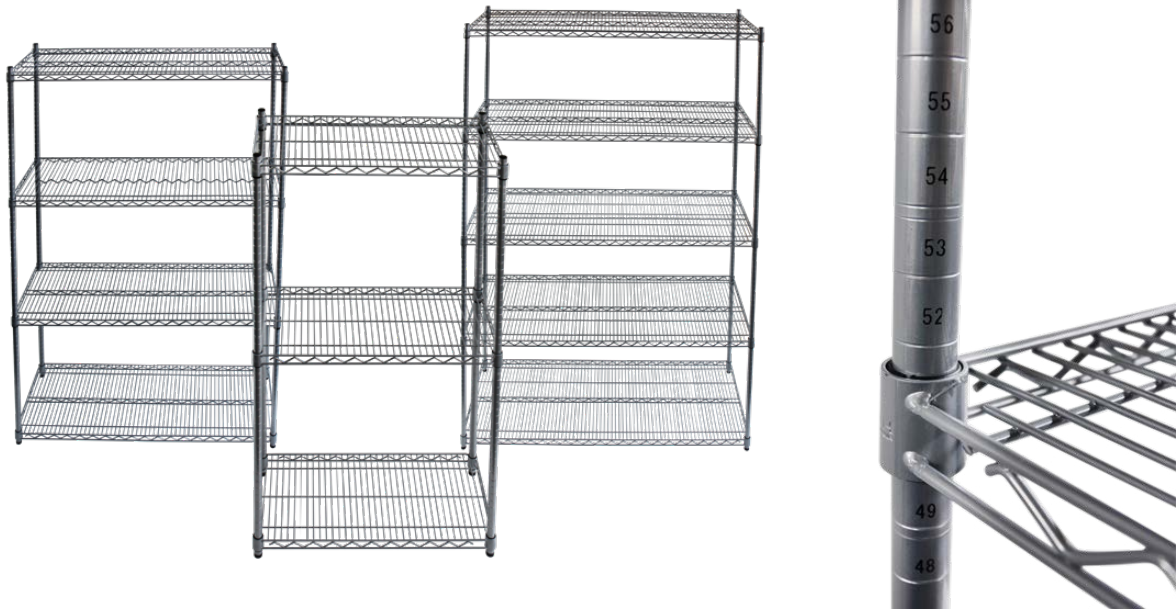
## CRH Epoxy Powder Coated Shelving

Code	Size	Shelving Unit	Weight Rating per Shelf
S610x13653T54P	610mm Deep x 1365mm Wide, 1370mm High	3 Tier	350kg
S610x13653T75P	610mm Deep x 1365mm Wide, 1900mm High	3 Tier	350kg
S610x13653T86P	610mm Deep x 1365mm Wide, 2185mm High	3 Tier	350kg
S610x13654T54P	610mm Deep x 1365mm Wide, 1370mm High	4 Tier	350kg
S610x13654T75P	610mm Deep x 1365mm Wide, 1900mm High	4 Tier	350kg
S610x13654T86P	610mm Deep x 1365mm Wide, 2185mm High	4 Tier	350kg
S610x13655T54P	610mm Deep x 1365mm Wide, 1370mm High	5 Tier	350kg
S610x13655T75P	610mm Deep x 1365mm Wide, 1900mm High	5 Tier	350kg
S610x13655T86P	610mm Deep x 1365mm Wide, 2185mm High	5 Tier	350kg
S2454P	Additional shelf		
S610x15183T54P	610mm Deep x 1518mm Wide, 1370mm High	3 Tier	350kg
S610x15183T75P	610mm Deep x 1518mm Wide, 1900mm High	3 Tier	350kg
S610x15183T86P	610mm Deep x 1518mm Wide, 2185mm High	3 Tier	350kg
S610x15184T54P	610mm Deep x 1518mm Wide, 1370mm High	4 Tier	350kg
S610x15184T75P	610mm Deep x 1518mm Wide, 1900mm High	4 Tier	350kg
S610x15184T86P	610mm Deep x 1518mm Wide, 2185mm High	4 Tier	350kg
S610x15185T54P	610mm Deep x 1518mm Wide, 1370mm High	5 Tier	350kg
S610x15185T75P	610mm Deep x 1518mm Wide, 1900mm High	5 Tier	350kg
S610x15185T86P	610mm Deep x 1518mm Wide, 2185mm High	5 Tier	350kg
S2460P	Additional shelf		
S610x18223T54P	610mm Deep x 1822mm Wide, 1370mm High	3 Tier	350kg
S610x18223T75P	610mm Deep x 1822mm Wide, 1900mm High	3 Tier	350kg
S610x18223T86P	610mm Deep x 1822mm Wide, 2185mm High	3 Tier	350kg
S610x18224T54P	610mm Deep x 1822mm Wide, 1370mm High	4 Tier	350kg
S610x18224T75P	610mm Deep x 1822mm Wide, 1900mm High	4 Tier	350kg
S610x18224T86P	610mm Deep x 1822mm Wide, 2185mm High	4 Tier	350kg
S610x18225T54P	610mm Deep x 1822mm Wide, 1370mm High	5 Tier	350kg
S610x18225T75P	610mm Deep x 1822mm Wide, 1900mm High	5 Tier	350kg
S610x18225T86P	610mm Deep x 1822mm Wide, 2185mm High	5 Tier	350kg
S2472P	Additional shelf		
P54P	Additional post 1370 High		
P75P	Additional post 1900mm high		
P86P	Additional post 2185mm high		





## CRH 304 Grade Stainless Steel Shelving



CRH Australia 304 Grade Stainless Steel Shelving is the perfect choice for Quality, Strength and Hygiene in the Foodservice Industry.

Constructed from quality 304 Grade stainless steel with a polished finish, this option provides excellent protection against rust and corrosion and ideal for Drystore, Cool Room or Freezer Room application.

Features include:

- A Load Rating of 350kg per shelf (spread evenly across the shelf).
- Easily assembled and shelves adjustable in 25mm increments.
- Strong wire shelves allow excellent air circulation and visibility.
- Adjustable feet for stability on uneven floor surfaces.
- Polished Stainless Steel finish allows for easy cleaning.
- Optional Castor set (2 Braked and 2 Un-Braked) for easy mobility.
- NSF Approved

Code	Size	Shelving Unit	Weight Rating per Shelf
S457x6033T54SS	457mm Deep x 603mm Wide, 1370mm High	3 Tier	350kg
S457x6033T75SS	457mm Deep x 603mm Wide, 1900mm High	3 Tier	350kg
S457x6033T86SS	457mm Deep x 603mm Wide, 2185mm High	3 Tier	350kg
S457X6034T54SS	457mm Deep x 603mm Wide, 1370mm High	4 Tier	350kg
S457X6034T75SS	457mm Deep x 603mm Wide, 1900mm High	4 Tier	350kg
S457X6034T86SS	457mm Deep x 603mm Wide, 2185mm High	4 Tier	350kg
S457X6035T54SS	457mm Deep x 603mm Wide, 1370mm High	5 Tier	350kg
S457x6035T75SS	457mm Deep x 603mm Wide, 1900mm High	5 Tier	350kg
S457x6035T86SS	457mm Deep x 603mm Wide, 2185mm High	5 Tier	350kg
S1824SS	Additional shelf		

# SHELVING & SHELF BRACKETS

## CRH 304 Grade Stainless Steel Shelving

Code	Size	Shelving Unit	Weight Rating per Shelf
S457x7553T54SS	457mm Deep x 755mm Wide, 1370mm High	3 Tier	350kg
S457x7553T75SS	457mm Deep x 755mm Wide, 1900mm High	3 Tier	350kg
S457x7553T86SS	457mm Deep x 755mm Wide, 2185mm High	3 Tier	350kg
S457x7554T54SS	457mm Deep x 755mm Wide, 1370mm High	4 Tier	350kg
S457x7554T75SS	457mm Deep x 755mm Wide, 1900mm High	4 Tier	350kg
S457x7554T86SS	457mm Deep x 755mm Wide, 2185mm High	4 Tier	350kg
S457x7555T54SS	457mm Deep x 755mm Wide, 1370mm High	5 Tier	350kg
S457x7555T75SS	457mm Deep x 755mm Wide, 1900mm High	5 Tier	350kg
S457x7555T86SS	457mm Deep x 755mm Wide, 2185mm High	5 Tier	350kg
S1830SS	Additional shelf		
S457x9083T54SS	457mm Deep x 908mm Wide, 1370mm High	3 Tier	350kg
S457x9083T75SS	457mm Deep x 908mm Wide, 1900mm High	3 Tier	350kg
S457x9083T86SS	457mm Deep x 908mm Wide, 2185mm High	3 Tier	350kg
S457x9084T54SS	457mm Deep x 908mm Wide, 1370mm High	4 Tier	350kg
S457x9084T75SS	457mm Deep x 908mm Wide, 1900mm High	4 Tier	350kg
S457x9084T86SS	457mm Deep x 908mm Wide, 2185mm High	4 Tier	350kg
S457x9085T54SS	457mm Deep x 908mm Wide, 1370mm High	5 Tier	350kg
S457x9085T75SS	457mm Deep x 908mm Wide, 1900mm High	5 Tier	350kg
S457x9085T86SS	457mm Deep x 908mm Wide, 2185mm High	5 Tier	350kg
S1836SS	Additional shelf		
S457x10603T54SS	457mm Deep x 1060mm Wide, 1370mm High	3 Tier	350kg
S457x10603T75SS	457mm Deep x 1060mm Wide, 1900mm High	3 Tier	350kg
S457x10603T86SS	457mm Deep x 1060mm Wide, 2185mm High	3 Tier	350kg
S457x10604T54SS	457mm Deep x 1060mm Wide, 1370mm High	4 Tier	350kg
S457x10604T75SS	457mm Deep x 1060mm Wide, 1900mm High	4 Tier	350kg
S457x10604T86SS	457mm Deep x 1060mm Wide, 2185mm High	4 Tier	350kg
S457x10605T54SS	457mm Deep x 1060mm Wide, 1370mm High	5 Tier	350kg
S457x10605T75SS	457mm Deep x 1060mm Wide, 1900mm High	5 Tier	350kg
S457x10605T86SS	457mm Deep x 1060mm Wide, 2185mm High	5 Tier	350kg
S1842SS	Additional shelf		
S457x12133T54SS	457mm Deep x 1213mm Wide, 1370mm High	3 Tier	350kg
S457x12133T75SS	457mm Deep x 1213mm Wide, 1900mm High	3 Tier	350kg
S457x12133T86SS	457mm Deep x 1213mm Wide, 2185mm High	3 Tier	350kg
S457x12134T54SS	457mm Deep x 1213mm Wide, 1370mm High	4 Tier	350kg
S457x12134T75SS	457mm Deep x 1213mm Wide, 1900mm High	4 Tier	350kg
S457x12134T86SS	457mm Deep x 1213mm Wide, 2185mm High	4 Tier	350kg
S457x12135T54SS	457mm Deep x 1213mm Wide, 1370mm High	5 Tier	350kg
S457x12135T75SS	457mm Deep x 1213mm Wide, 1900mm High	5 Tier	350kg
S457x12135T86SS	457mm Deep x 1213mm Wide, 2185mm High	5 Tier	350kg
S1848SS	Additional shelf		



SHELVING & SHELF BRACKETS  
CRH 304 Grade Stainless Steel Shelving

Code	Size	Shelving Unit	Weight Rating per Shelf
S457x13653T54SS	457mm Deep x 1365mm Wide, 1370mm High	3 Tier	350kg
S457x13653T75SS	457mm Deep x 1365mm Wide, 1900mm High	3 Tier	350kg
S457x13653T86SS	457mm Deep x 1365mm Wide, 2185mm High	3 Tier	350kg
S457x13654T54SS	457mm Deep x 1365mm Wide, 1370mm High	4 Tier	350kg
S457x13654T75SS	457mm Deep x 1365mm Wide, 1900mm High	4 Tier	350kg
S457x13654T86SS	457mm Deep x 1365mm Wide, 2185mm High	4 Tier	350kg
S457x13655T54SS	457mm Deep x 1365mm Wide, 1370mm High	5 Tier	350kg
S457x13655T75SS	457mm Deep x 1365mm Wide, 1900mm High	5 Tier	350kg
S457x13655T86SS	457mm Deep x 1365mm Wide, 2185mm High	5 Tier	350kg
S1854SS	Additional shelf		
S457x15183T54SS	457mm Deep x 1518mm Wide, 1370mm High	3 Tier	350kg
S457x15183T75SS	457mm Deep x 1518mm Wide, 1900mm High	3 Tier	350kg
S457x15183T86SS	457mm Deep x 1518mm Wide, 2185mm High	3 Tier	350kg
S457x15184T54SS	457mm Deep x 1518mm Wide, 1370mm High	4 Tier	350kg
S457x15184T75SS	457mm Deep x 1518mm Wide, 1900mm High	4 Tier	350kg
S457x15184T86SS	457mm Deep x 1518mm Wide, 2185mm High	4 Tier	350kg
S457x15185T54SS	457mm Deep x 1518mm Wide, 1370mm High	5 Tier	350kg
S457x15185T75SS	457mm Deep x 1518mm Wide, 1900mm High	5 Tier	350kg
S457x15185T86SS	457mm Deep x 1518mm Wide, 2185mm High	5 Tier	350kg
S1860SS	Additional shelf		
S457x18223T54SS	457mm Deep x 1822mm Wide, 1370mm High	3 Tier	350kg
S457x18223T75SS	457mm Deep x 1822mm Wide, 1900mm High	3 Tier	350kg
S457x18223T86SS	457mm Deep x 1822mm Wide, 2185mm High	3 Tier	350kg
S457x18224T54SS	457mm Deep x 1822mm Wide, 1370mm High	4 Tier	350kg
S457x18224T75SS	457mm Deep x 1822mm Wide, 1900mm High	4 Tier	350kg
S457x18224T86SS	457mm Deep x 1822mm Wide, 2185mm High	4 Tier	350kg
S457x18225T54SS	457mm Deep x 1822mm Wide, 1370mm High	5 Tier	350kg
S457x18225T75SS	457mm Deep x 1822mm Wide, 1900mm High	5 Tier	350kg
S457x18225T86SS	457mm Deep x 1822mm Wide, 2185mm High	5 Tier	350kg
S1872SS	Additional shelf		
S610x6033T54SS	610mm Deep x 603mm Wide, 1370mm High	3 Tier	350kg
S610x6033T75SS	610mm Deep x 603mm Wide, 1900mm High	3 Tier	350kg
S610x6033T86SS	610mm Deep x 603mm Wide, 2185mm High	3 Tier	350kg
S610x6034T54SS	610mm Deep x 603mm Wide, 1370mm High	4 Tier	350kg
S610x6034T75SS	610mm Deep x 603mm Wide, 1900mm High	4 Tier	350kg
S610x6034T86SS	610mm Deep x 603mm Wide, 2185mm High	4 Tier	350kg
S610x6035T54SS	610mm Deep x 603mm Wide, 1370mm High	5 Tier	350kg
S610x6035T75SS	610mm Deep x 603mm Wide, 1900mm High	5 Tier	350kg
S610x6035T86SS	610mm Deep x 603mm Wide, 2185mm High	5 Tier	350kg
S2424SS	Additional shelf		

# SHELVING & SHELF BRACKETS

## CRH 304 Grade Stainless Steel Shelving

Code	Size	Shelving Unit	Weight Rating per Shelf
S610x7553T54SS	610mm Deep x 755mm Wide, 1370mm High	3 Tier	350kg
S610x7553T75SS	610mm Deep x 755mm Wide, 1900mm High	3 Tier	350kg
S610x7553T86SS	610mm Deep x 755mm Wide, 2185mm High	3 Tier	350kg
S610x7554T54SS	610mm Deep x 755mm Wide, 1370mm High	4 Tier	350kg
S610x7554T75SS	610mm Deep x 755mm Wide, 1900mm High	4 Tier	350kg
S610x7554T86SS	610mm Deep x 755mm Wide, 2185mm High	4 Tier	350kg
S610x7555T54SS	610mm Deep x 755mm Wide, 1370mm High	5 Tier	350kg
S610x7555T75SS	610mm Deep x 755mm Wide, 1900mm High	5 Tier	350kg
S610x7555T86SS	610mm Deep x 755mm Wide, 2185mm High	5 Tier	350kg
S2430SS	Additional shelf		
S610x9083T54SS	610mm Deep x 908mm Wide, 1370mm High	3 Tier	350kg
S610x9083T75SS	610mm Deep x 908mm Wide, 1900mm High	3 Tier	350kg
S610x9083T86SS	610mm Deep x 908mm Wide, 2185mm High	3 Tier	350kg
S610x9084T54SS	610mm Deep x 908mm Wide, 1370mm High	4 Tier	350kg
S610x9084T75SS	610mm Deep x 908mm Wide, 1900mm High	4 Tier	350kg
S610x9084T86SS	610mm Deep x 908mm Wide, 2185mm High	4 Tier	350kg
S610x9085T54SS	610mm Deep x 908mm Wide, 1370mm High	5 Tier	350kg
S610x9085T75SS	610mm Deep x 908mm Wide, 1900mm High	5 Tier	350kg
S610x9085T86SS	610mm Deep x 908mm Wide, 2185mm High	5 Tier	350kg
S2436SS	Additional shelf		
S610x10603T54SS	610mm Deep x 1060mm Wide, 1370mm High	3 Tier	350kg
S610x10603T75SS	610mm Deep x 1060mm Wide, 1900mm High	3 Tier	350kg
S610x10603T86SS	610mm Deep x 1060mm Wide, 2185mm High	3 Tier	350kg
S610x10604T54SS	610mm Deep x 1060mm Wide, 1370mm High	4 Tier	350kg
S610x10604T75SS	610mm Deep x 1060mm Wide, 1900mm High	4 Tier	350kg
S610x10604T86SS	610mm Deep x 1060mm Wide, 2185mm High	4 Tier	350kg
S610x10605T54SS	610mm Deep x 1060mm Wide, 1370mm High	5 Tier	350kg
S610x10605T75SS	610mm Deep x 1060mm Wide, 1900mm High	5 Tier	350kg
S610x10605T86SS	610mm Deep x 1060mm Wide, 2185mm High	5 Tier	350kg
S2442SS	Additional shelf		
S610x12133T54SS	610mm Deep x 1213mm Wide, 1370mm High	3 Tier	350kg
S610x12133T75SS	610mm Deep x 1213mm Wide, 1900mm High	3 Tier	350kg
S610x12133T86SS	610mm Deep x 1213mm Wide, 2185mm High	3 Tier	350kg
S610x12134T54SS	610mm Deep x 1213mm Wide, 1370mm High	4 Tier	350kg
S610x12134T75SS	610mm Deep x 1213mm Wide, 1900mm High	4 Tier	350kg
S610x12134T86SS	610mm Deep x 1213mm Wide, 2185mm High	4 Tier	350kg
S610x12135T54SS	610mm Deep x 1213mm Wide, 1370mm High	5 Tier	350kg
S610x12135T75SS	610mm Deep x 1213mm Wide, 1900mm High	5 Tier	350kg
S610x12135T86SS	610mm Deep x 1213mm Wide, 2185mm High	5 Tier	350kg
S2448SS	Additional shelf		



SHELVING & SHELF BRACKETS  
CRH 304 Grade Stainless Steel Shelving

Code	Size	Shelving Unit	Weight Rating per Shelf
S610x13653T54SS	610mm Deep x 1365mm Wide, 1370mm High	3 Tier	350kg
S610x13653T75SS	610mm Deep x 1365mm Wide, 1900mm High	3 Tier	350kg
S610x13653T86SS	610mm Deep x 1365mm Wide, 2185mm High	3 Tier	350kg
S610x13654T54SS	610mm Deep x 1365mm Wide, 1370mm High	4 Tier	350kg
S610x13654T75SS	610mm Deep x 1365mm Wide, 1900mm High	4 Tier	350kg
S610x13654T86SS	610mm Deep x 1365mm Wide, 2185mm High	4 Tier	350kg
S610x13655T54SS	610mm Deep x 1365mm Wide, 1370mm High	5 Tier	350kg
S610x13655T75SS	610mm Deep x 1365mm Wide, 1900mm High	5 Tier	350kg
S610x13655T86SS	610mm Deep x 1365mm Wide, 2185mm High	5 Tier	350kg
S2454SS	Additional shelf		
S610x15183T54SS	610mm Deep x 1518mm Wide, 1370mm High	3 Tier	350kg
S610x15183T75SS	610mm Deep x 1518mm Wide, 1900mm High	3 Tier	350kg
S610x15183T86SS	610mm Deep x 1518mm Wide, 2185mm High	3 Tier	350kg
S610x15184T54SS	610mm Deep x 1518mm Wide, 1370mm High	4 Tier	350kg
S610x15184T75SS	610mm Deep x 1518mm Wide, 1900mm High	4 Tier	350kg
S610x15184T86SS	610mm Deep x 1518mm Wide, 2185mm High	4 Tier	350kg
S610x15185T54SS	610mm Deep x 1518mm Wide, 1370mm High	5 Tier	350kg
S610x15185T75SS	610mm Deep x 1518mm Wide, 1900mm High	5 Tier	350kg
S610x15185T86SS	610mm Deep x 1518mm Wide, 2185mm High	5 Tier	350kg
S2460SS	Additional shelf		
S610x18223T54SS	610mm Deep x 1822mm Wide, 1370mm High	3 Tier	350kg
S610x18223T75SS	610mm Deep x 1822mm Wide, 1900mm High	3 Tier	350kg
S610x18223T86SS	610mm Deep x 1822mm Wide, 2185mm High	3 Tier	350kg
S610x18224T54SS	610mm Deep x 1822mm Wide, 1370mm High	4 Tier	350kg
S610x18224T75SS	610mm Deep x 1822mm Wide, 1900mm High	4 Tier	350kg
S610x18224T86SS	610mm Deep x 1822mm Wide, 2185mm High	4 Tier	350kg
S610x18225T54SS	610mm Deep x 1822mm Wide, 1370mm High	5 Tier	350kg
S610x18225T75SS	610mm Deep x 1822mm Wide, 1900mm High	5 Tier	350kg
S610x18225T86SS	610mm Deep x 1822mm Wide, 2185mm High	5 Tier	350kg
S2472SS	Additional shelf		
P54SS	Additional post 1370mm High		
P75SS	Additional post 1900mm high		
P86SS	Additional post 2185mm high		



A



B



C

	Code	Size
A	CBT-2	CRH Shelving wall mounted bracket - silver grey powder coat.
B	CT027	CRH Shelving 100mm polyurethane screw castor set. 2 castors with brakes, 2 castors without brakes
C	LH48	CRH Shelving price label holder - clear, 1200mm



A



C



B



D

	Code	Size
A	P01	CRH Shelving 'N' hook
B	P03	CRH Shelving post clamp
C	P05	CRH Shelving plastic post sleeves, pack of 8.
D	P08	CRH Shelving tri-leg adjustable bracket

# SHELVING & SHELF BRACKETS

## Atlas Food Service Plastic Mat Shelving



Size	Code	Shelving Unit	Weight Rating per Shelf
455mm x 760mm	PM18307EPL	4 Tier	200Kg
	PM18307EPL5	5 Tier	200Kg
	PM1830EPL	Additional Shelf	
455mm x 915mm	PM18367EPL	4 Tier	200Kg
	PM18367EPL5	5 Tier	200Kg
	PM1836EPL	Additional Shelf	
455mm x 1065mm	PM18427EPL	4 Tier	200Kg
	PM18427EPL5	5 Tier	250Kg
	PM1842EPL	Additional Shelf	
455mm x 1220mm	PM18487EPL	4 Tier	200Kg
	PM18487EPL5	5 Tier	200Kg
	PM1848EPL	Additional Shelf	
455mm x 1370mm	PM18547EPL	4 Tier	200Kg
	PM18547EPL5	5 Tier	200Kg
	PM1854EPL	Additional Shelf	
455mm x 1830mm	PM18727EPL	4 Tier	200Kg
	PM18727EPL5	5 Tier	200Kg
	PM1872EPL	Additional Shelf	
455mm x 1520mm	PM18607EPL	4 Tier	200Kg
	PM18607EPL5	5 Tier	200Kg
	PM1860EPL	Additional Shelf	
610mm x 760mm	PM24307EPL	4 Tier	200Kg
	PM24307EPL5	5 Tier	200Kg
	PM2430EPL	Additional Shelf	





# SHELVING & SHELF BRACKETS

## Atlas Food Service Plastic Mat Shelving



Size	Code	Shelving Unit	Weight Rating per Shelf
610mm x 915mm	PM24367EPL	4 Tier	200Kg
	PM24367EPL5	5 Tier	200Kg
	PM2436EPL	Additional Shelf	
610mm x 1065mm	PM24427EPL	4 Tier	200Kg
	PM24427EPL5	5 Tier	200Kg
	PM2442EPL	Additional Shelf	
610mm x 1220mm	PM24487EPL	4 Tier	200Kg
	PM24487EPL5	5 Tier	200Kg
	PM2448EPL	Additional Shelf	
610mm x 1370mm	PM24547EPL	4 Tier	200Kg
	PM24547EPL5	5 Tier	200Kg
	PM2454EPL	Additional Shelf	
610mm x 1520mm	PM24607EPL	4 Tier	200Kg
	PM24607EPL5	5 Tier	200Kg
	PM2460EPL	Additional Shelf	
610mm x 1830mm	PM24727EPL	4 Tier	200Kg
	PM24727EPL5	5 Tier	200Kg
	PM2472EPL	Additional Shelf	



Code	Description
KASONSIL	Food grade silicone. Colour: Aluminium Grey, suitable for use with stainless steel. High-temperature formula heat resistant to 200°C (400°F). Premium grade. Air cures overnight. Tack-free in 15 minutes. Uses: Waterproof adhesive bonds better than generic sealants. Won't peel. Tube volume: 304ml.





	Code	Description
A	BOS1128C	Heat Transfer Sealer. Sealing compound. Uses: Especially formulated for improving the thermal efficiency of freezer units by increasing the surface contact between the refrigerator coils and the cabinet. Tube volume: 460g
B	FULLER-HI-TEMP	FULLER-HI-TEMP Heat Resistant RTV (Room Temperature Vulcanising) silicone may be used for a variety of industrial bonding and sealing applications. Can withstand intermittent temperatures of up to 312°C and continuous temperatures of 260°C

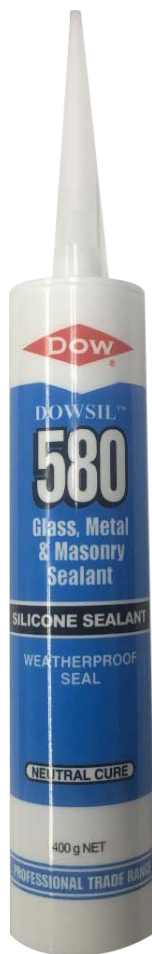


Code	Description
03244 MASTIC	<p>Makrete Panel Mastic is a butyl-based non-sagging, non-skinning gunnable small joint sealant that provides excellent moisture resistance. It has been designed for use in Coolroom construction, refrigerated container components and other types of insulation panels. It is suitable for applications requiring a non-skinning, durable and permanently plastic sealant. Safe on polystyrene coolroom panel. Excellent barrier to moisture vapour.</p> <p>Colour: White</p>



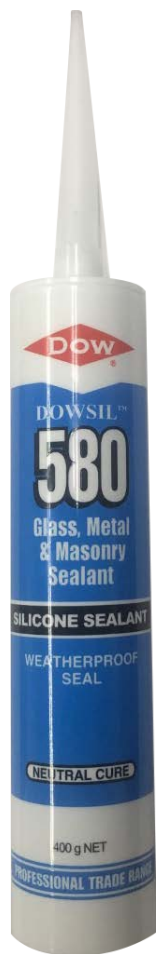


A



B

	Code	Description
A	MF50 Aluminium Grey Silicone	MF50 Roof & Gutter Aluminium Grey Silicone is a neutral cure, premium grade, silicone sealant specially formulated for use in glazing and industrial fabrication where a premium quality, non-corrosive sealant is required, which skins quickly and is easy to use.
B	Dowsil 580 White	Dowsil 580 Glass, Metal & Masonry White Silicone is a neutral cure, premium grade, silicone sealant specially formulated for use in glazing and industrial fabrication where a premium quality, non-corrosive sealant is required, which skins quickly and is easy to use.



A



B

	Code	Description
A	Dowsil 580 Matt Black	Dowsil 580 Glass, Metal & Masonry Matt Black Silicone is a neutral cure, premium grade, silicone sealant specially formulated for use in glazing and industrial fabrication where a premium quality, non-corrosive sealant is required, which skins quickly and is easy to use.
B	Dowsil 580 Clear	Dowsil 580 Glass, Metal & Masonry Clear Silicone is a neutral cure, premium grade, silicone sealant specially formulated for use in glazing and industrial fabrication where a premium quality, non-corrosive sealant is required, which skins quickly and is easy to use.





Code	Description
N130C	<p>Universal Adhesive - Bond-Pro N130 is a non-drip, non-stringy, fast drying solvent based universal adhesive and sealant. It bonds to metal and other non-porous surfaces and is also flexible, water-resistant, and able to withstand temperatures up to 80°C.</p> <p>Uses: As an adhesive for bonding stainless steel and wood, as a lap joint sealant between gutters and downpipes, flashing, roofing, ducting and sheet metal, as an adhesive for fixing wall panels, floor boards and hanging wall furnishing.</p> <p>Tube volume: 300g</p>



A



B

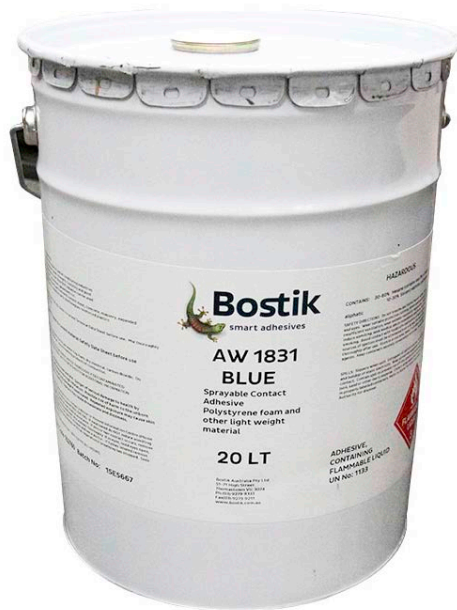
**When using or choosing adhesive please consider the following:**

- Surface Preparation - surfaces must be clean and dry. Giving the surface a light rough-over with sandpaper can help to increase the surface area the adhesive has to stick to by up to 3 times.
- Environment - consider the environment in which you are working. Humidity will affect drying time, try to avoid applications on cold mornings. Applications on rainy days will take longer to set/dry. Dusty environments will affect the performance of the adhesive, make sure the surface is clean.
- Be aware of the properties of the material you are trying to stick together and the process you are using to do it. What do you want to achieve? Discuss your requirements with one of our friendly sales staff so the best product can be tailored to your needs.

	Code	Description
A	TAC230R20	Polystyrene Contact Adhesive, 20 litre - Red
B	TAC230R200	Polystyrene Contact Adhesive, 200 litre - Red
		Styrene safe adhesive. High-performance foam contact adhesive. Synthetic rubber based, excellent strength adhesive for bonding light weight materials used in the insulation and air conditioning industries. High temp resistant, sprayable or brushable. Fire rated to AS1530.3.







A



B

	Code	Description
A	BOS1831	Polystyrene Safe Adhesive - Blue - 20 litre drum.
B	AV510	Bostik brush grade solvent free, slow setting, single component moisture curing polyurethane adhesive. 20 litre drum.



Code	Description
TAC103	Styrene safe solvent, used for thinning or cleaning polystyrene foam contact adhesive. 20 Litre drum.



Code	Description
BITUTHENE 3000	Bitumen rubber roll, rubberised, self adhesive. Uses: As waterproofing and sound deadening material. Size: 1.6mm x 1m x 20m roll.



A

Inox MX3FG Food Grade Grease 300g Aerosol was released to cater specifically for the food and beverage industry. INOX-MX3FG holds the NSF, class H1 food grade approval which is the highest approval available on a lubricant and is recognised worldwide. This allows INOX-MX3FG to be used in all food applications all over the world. INOX-MX3FG is similar to the original formula with some changes to comply with the NSF H1 criteria. INOX-MX3FG has undergone stringent testing and stands strong amongst the other INOX products and even stronger amongst its competitors

Inox MX-6 Food Grade Grease is a smooth, light brown grease made with polyalphaolefins and a special bentone thickener. It contains additives to protect against corrosion and oxidation. It has a temperature range of -30 °C to an extremely high temperature.

INOX-mx6 grease is recommended for all bearings and general lubrication and where processing temperatures go well below zero, especially in the refrigerated and frozen foods and beverage industries.

INOX is safe on rubber, and is ideally suitable for all plumbing O-rings & seals, food machinery O-rings & seals, Pneumatic control valve O-rings & seals, diving gear O-rings & seals, anywhere rubber or synthetic O-rings and seals are used.



B



C

	Code	Description
A	MX3FG-300	Inox food grade grease 300g aerosol. Colour: clear.
B	MX6-250	Inox MX6 food grade grease 250g tub. Colour: light brown
C	MX6-30	Inox food grade grease 30g tube. Colour: light brown





Code	Description
1520CW	<p>Aluminium Foil Insulation Tape.</p> <p>Product Configurations:</p> <ul style="list-style-type: none"> <li>• Tape Width: 50mm</li> <li>• Roll Length 50 metres</li> <li>• Sold Per Roll</li> </ul> <p>51µm annealed aluminium foil coated with CWTM cold weather acrylic pressure sensitive adhesive tape. The malleable foil applies easily to both fibrous and sheet metal ducts and conforms to irregular surfaces. 1520CW excels in demanding temperature and humidity applications and provides superior performance and durability over a wide range of environmental conditions, which includes UV stability.</p> <p>Features &amp; Benefits :</p> <ul style="list-style-type: none"> <li>• High performance insulation tape is ideal for use as a vapor seal for reinforced fiberglass or mineral wool thermal insulation.</li> <li>• May also be used on FSK systems.</li> <li>• CWTM acrylic adhesive performs well over a wide temperature range.</li> <li>• Hand tearable allows for easy installation.</li> <li>• Excels in high heat humidity environmental conditions.</li> </ul>



Code	Description
CDT4M	Combination drill and tap. M4.
CDT5M	Combination drill and tap. M5.
CDT6M	Combination drill and tap. M6.
CDT8M	Combination drill and tap. M8.
CDT10M	Combination drill and tap. M10.





A



B



C

	Code	Description
A	MGAVAS0414DK	Multigrip rivets 1/8" (3.2mm) aluminium. Bags of 250. Mill finish.
	MGAVAS0516DK	Multigrip rivets 5/32" (4mm) aluminium. Bags of 250. Mill finish.
	MGAVAS0619DK	Multigrip rivets 3/16" (4.8mm) aluminium. Bags of 250. Mill finish.
B	MGAVAS0414SMK	Multigrip rivets 1/8" (3.2mm) aluminium. Bags of 250. Surfmist white.
	MGAVAS0516SMK	Multigrip rivets 5/32" (4mm) aluminium. Bags of 250. Surfmist white.
	MGAVAS0619SMK	Multigrip rivets 3/16" (4.8mm) aluminium. Bags of 250. Surfmist white.
C	MSA1075K	M10 x 75mm Dyna Bolt. Zinc plated. Pack of 4.
	DP0640K	Dynabolt, pack of 10, 6mmx40mm, zinc plated.



A



B

	Code	Description
A	MT4SS25	M4 x 25mm counter sunk Phillips head stainless steel. Pack of 10.
	MT4ZP25	M4 x 25mm counter sunk Phillips head zinc plated. Pack of 10.
	MT5SS25	M5 x 25mm counter sunk Phillips head stainless steel. Pack of 10.
	MT5ZP25	M5 x 25mm counter sunk Phillips head zinc plated. Pack of 10.
	MT5SS50	M5 x 50mm counter sunk Phillips head stainless steel. Pack of 10.
	MT5ZP50	M5 x 50mm counter sunk Phillips head zinc plated. Pack of 10.
	MT6SS25	M6 x 25mm counter sunk Phillips head stainless steel. Pack of 10.
	MT6ZP25	M6 x 25mm counter sunk Phillips head zinc plated. Pack of 10.
	MT8SS30	M8 x 30mm counter sunk Phillips head, stainless steel. Pack of 10.
	MT8ZP30	M8 x 30mm counter sunk Phillips head, stainless steel. Pack of 10.
B	MTPZ0620K	M6 x 20mm pan head metal thread, zinc plated. Pack of 10.





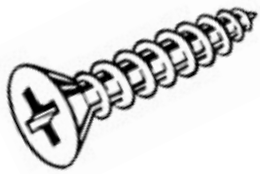


A



B

	Code	Description
A	SKZ-002	Threaded Rod, zinc plate, M10 x 300mm.
	M10-1000Z	Threaded Rod, zinc plate, M10 x 1000mm.
	M12-1000Z	Threaded Rod, zinc plate, M12 x 1000mm.
B	CRH067-200	Threaded Rod, M10 x 200mm - HDG.
	CRH067-300	Threaded Rod, M10 x 300mm - HDG.
	CRH067-400	Threaded Rod, M10 x 400mm - HDG.
	CRH060-200	Threaded Rod, M12 x 200mm - HDG.
	CRH060-300	Threaded Rod, M12 x 300mm - HDG.
	CRH060-400	Threaded Rod, M12 x 400mm - HDG.



A



B



C



D



E



F



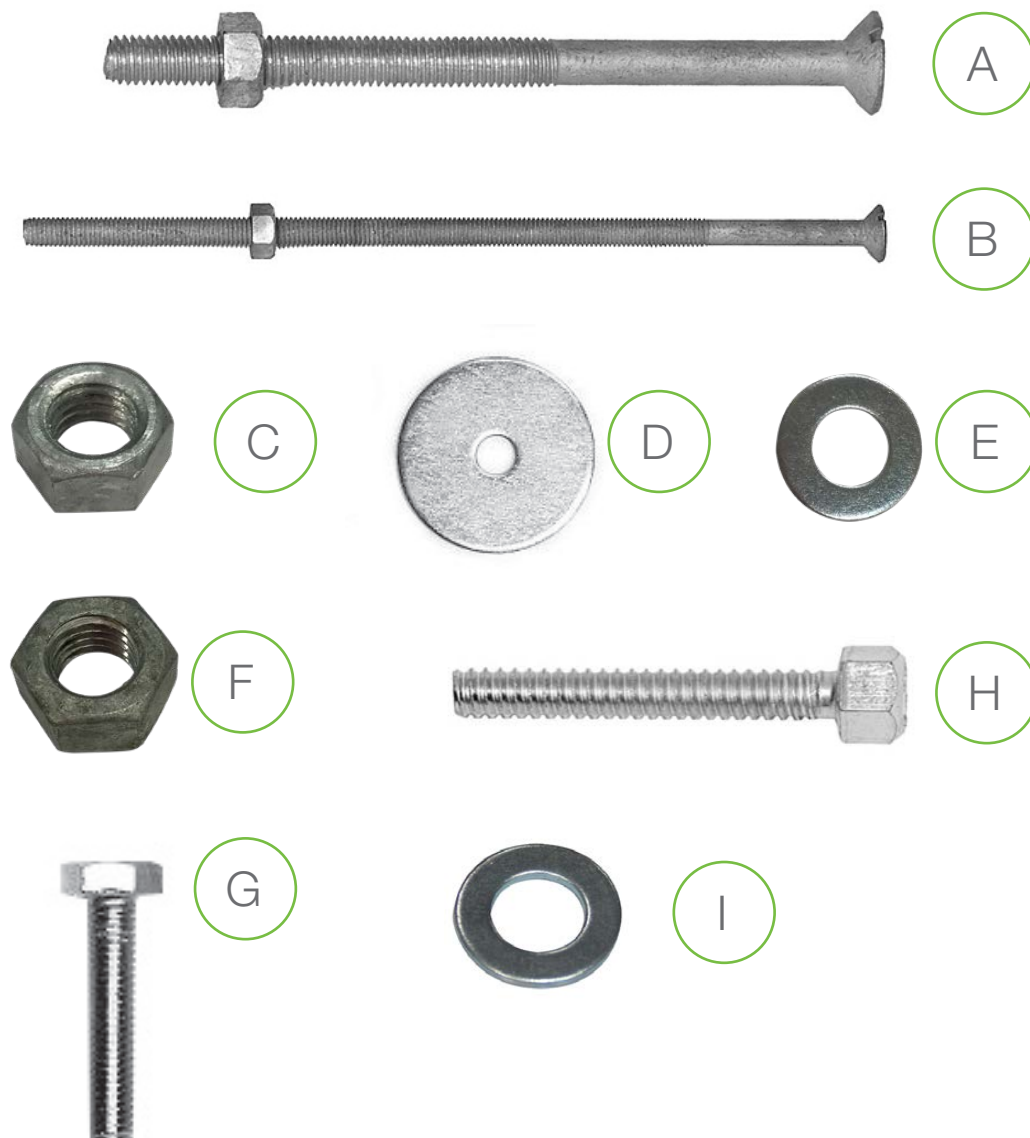
G



H

	Code	Description
A	S10GSS38	1/2" - 10g x 38mm counter sunk Phillips head stainless steel screw. Pack of 10.
	S10GZP38	1/2" - 10g x 38mm counter sunk Phillips head zinc plated screw. Pack of 10.
	S10GSS50	2" - 10g x 50mm counter sunk Phillips head stainless steel screw. Pack of 10.
	S10GZP50	2" - 10g x 50mm counter sunk Phillips head zinc plated screw. Pack of 10.
	S12GSS38	1/2" - 12g x 38mm counter sunk Phillips head stainless steel screw. Pack of 10.
	S12GZP38	1/2" - 12g x 38mm counter sunk Phillips head zinc plated screw. Pack of 10.
	S14GSS38	1/2" - 14g x 38mm counter sunk Phillips head stainless steel screw. Pack of 10.
	S14GZP38	1/2" - 14g x 38mm counter sunk Phillips head zinc plated screw. Pack of 10.
	S8GSS38	1/2" - 8g x 38mm counter sunk Phillips head stainless steel screw. Pack of 10.
	S8GZP38	1/2" - 8g x 38mm counter sunk Phillips head zinc plated screw. Pack of 10.
B	STPSS616K	6g x 16mm pan head stainless steel self tapper screw. Pack of 20.
	STPSS634K	6g x 19mm pan head stainless steel self tapper screw. Pack of 20.
C	CSZ1050K	10mm x 50mm hex head coach screw zinc plated. Pack of 4.
D	T17H3141075K	14g x 75mm hex head galvanized coach screw. Pack of 10.
E	STCSS612K	6g x 12mm counter sunk Phillips head stainless steel screw. Pack of 20
F	STPZ142K	14g x 50mm pan head zinc plated self tapping screw. Pack of 10.
G	STCZ14134K	14g x 44mm counter sunk Phillips head zinc plated screw. Pack of 10.
H	STPZ1034K	10g x 20mm pan Head self tapper zinc plated screw. Pack of 10.





	Code	Description
A	TB-120	Track bolt 120mm, M8 galvanised, nut supplied separately.
B	TB-230	Track bolt 230mm, M8 galvanised, nut supplied separately.
C	TB-NM8	M8 nut galvanised. suits track bolts.
D	CRH062	Washer. 62mm diameter x 2.7mm. Hot dipped galvanised.
	SKZ-003	Washer. 62mm diameter x 2.7mm. Zinc plated.
	CRH066	Washer. 20 x 11 x 1.4mm. Hot dipped galvanised.
E	SKZ-005	Washer. 20 x 11 x 1.4mm. Zinc plated.
F	CRH063	Hex nut. M12 x 1.5mm. Hot dipped galvanised.
	CRH065	Hex nut. M10 x 1.5mm. Hot dipped galvanised.
G	CRH064	Hex bolt. M10 x 40mm. Hot dipped galvanised.
H	SKZ-004	Hex bolt. M10 x 40mm. Zinc plated.
I	WSZ103834K	19mm x 10mm x 107mm. Steel washer zinc plated. Pack of 20.



A



B



C



D



E

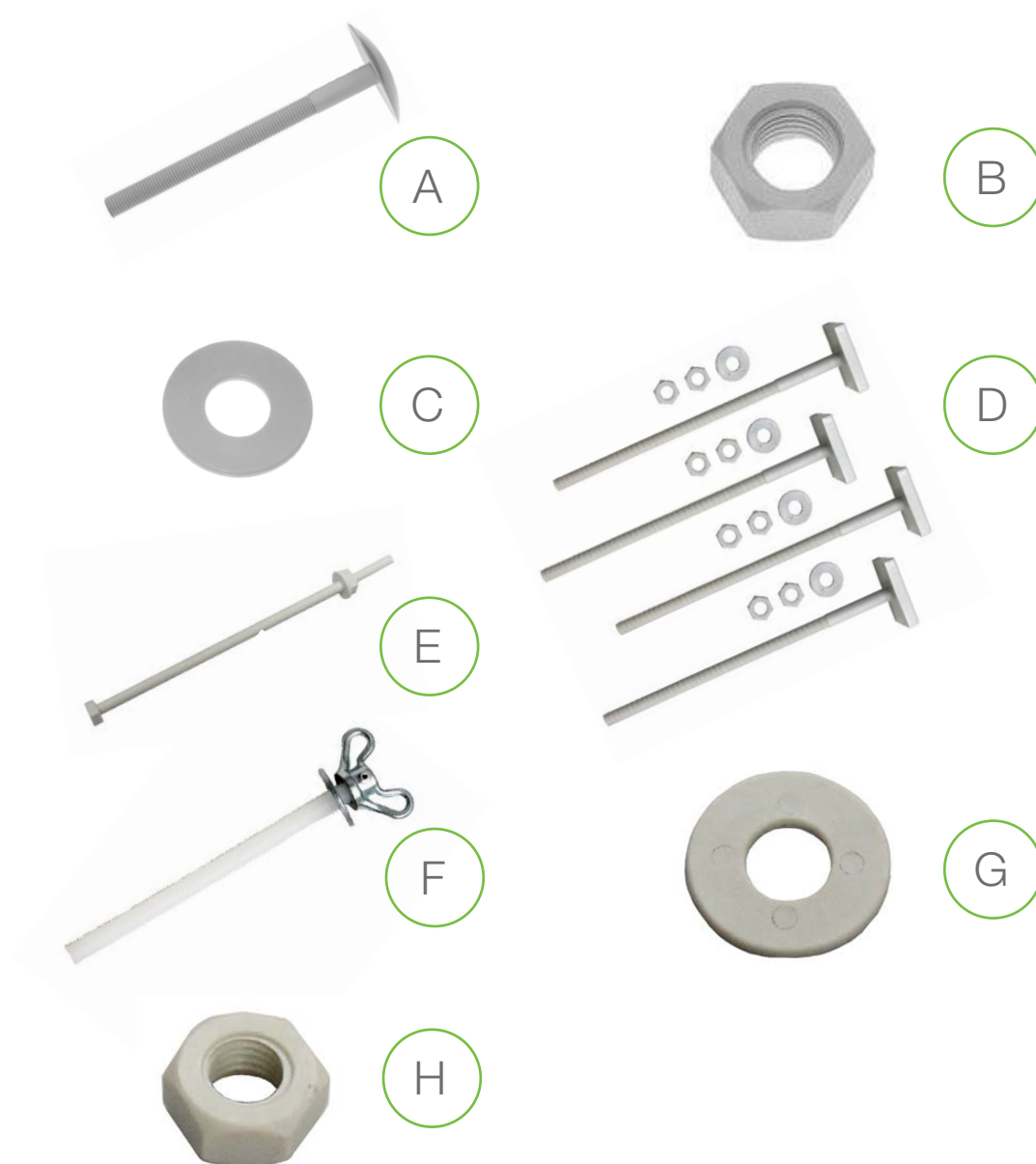


F



G

	Code	Description
A	PNBM16-30	M16 Purlin flanged nut & bolt.
B	SKZ-006	Hex nut, M10 x 1.5mm, zinc.
C	A154	M12 X 45mm zinc hex bolt.
D	A157	Washer 12mm x 24mm OD.
E	A222	Clamp Screw 3/8" BSW x 32mm.
F	TKN10 E389520	M10 Rod hanger beam clamp, HDG. M12 Beam clamp, HDG.
G	A116	Nyloc nut 12mm.



	Code	Description
A	A320	Mushroom bolt, M16 x 200mm. Material: Nylon. Off white finish.
B	A320N	M16 Nut to suit A320 mushroom bolt. Material: Nylon. Off white finish.
C	A320W	Washer, 40mm. Material: Nylon. Off white finish.
D	CRH-EMK	Four M10 X 235mm nylon bolts, eight nuts and four washers. Material: Nylon. Off white.
E	NM6BNW	Nylon M6 bolt with nut / washer. 180mm long. Nylon material is ideal for fixing through insulated wall panel as temperature or moisture does not transfer.
F	RC02	170mm M12 nylon rod with fitted aluminium wingnut & 35mm washer.
G	CRH-611	Nylon washer, 25mm OD x 10.5mm ID.
H	CRH-612	Nylon hex nut, M10.



A



B



C

	Code	Description	Material
A	CSD-10	Mushroom cap, M10 thread, Surf mist color.	Nylon
B	CSD-12	Mushroom cap, M12 thread, Surf mist color.	Nylon
C	CSDX	CRH Hollow mushroom cap.	Nylon





A



B



C



D



E

	Code	Description
A	RLS30/240	Adjustable Roller lever limit switch 30mm IP66 Rating.
B	CRH-ILB	Red neon indicator light box With 20mm conduit knockouts. PVC.
C	IPDIPS161	Dimensions: 85mmH x 85mmW x 86mmD. 16A switch - 2 way switching. 16A terminal size 4.3mm diameter. Accessory kit included & contains 1 x 2 screw insulated connector. 2 x 25/20mm conduit reducers. Rear screw plugs. Front screw plugs. Max single cable 4mm <sup>2</sup> . Will take twin 2.5mm <sup>2</sup> .
D	ITS-MRS	Ultra slim and robust this switch can be floor or wall mounted.
E	K1967-010	CRH double skinned double utility box 148mm x 118mm x 65mm Deep. Top 7 Bottom 20mm conduit knock-outs.



A



B

	Code	Description
A	DBR – 1000	Deburrer. Rollers suitable for steel included.
	DBR – 1000RR	Replacement rollers, suitable for steel. Sold per pair or packets of 10.
	DBR – 1000RRSS	Replacement rollers, suitable stainless steel. Sold per pair or packets of 10.
B	30341	<p>As in all aspects of construction there may be times when you need to put a little more tension on the cable than is possible with just your hands. Therefore, Rize has available a tensioning tool for these applications. Made of steel and meant to last, the tensioning tool takes all sizes of Kwik-Locs and up to 3/16 inch cable. As with all Rize products the tensioning tool is guaranteed against initial quality defects. Natural wear and tear on the tool is eventually going to happen. Rize therefore keeps ample stocks of replacement parts available when needed.</p> <ul style="list-style-type: none"> <li>• The tensioning tool is designed to apply tension of up to 600 lbs on cable that is terminated by a Kwik-Loc.</li> <li>• The tensioning tool works by holding the Kwik-Loc body and pulling the cable through the Kwik-Loc using the cam and anvil.</li> <li>• The powerful lever action will tension and retension the cable in seconds.</li> <li>• The tensioning tool can be used on all sizes of Kwik-Locs.</li> </ul>







	Code	Description
A	PH1-50mm	PH1-50mm Philips head hex driver
B	PH2-50mm	PH2-50mm Philips head hex driver
C	PH3-50mm	PH3-50mm Philips head hex driver

1.5 OHM	170	404111420 Cover	242
3 OHM	170	7304000008	126
4.6 OHM	170	7304000010	126
6 OHM	170	7600000500	136
7.6 OHM	170	7600000501	136
9 OHM	170	7600000502	136
12 OHM	170	7600000503	136
15 OHM	170	A07-FSG	53
17 OHM	170	A07-FSR	53
20JBWH	162	A07G	47
20 OHM	170	A07W	47
20TELWH	162	A07WP	47
25 OHM	170	A10W	45
30 OHM	170	A70	193
35 OHM	170	A70T	193
40 OHM	170	A110G	8
45 OHM	170	A110W	8
50 OHM	170	A111G	43
60 OHM	170	A111W	43
70 OHM	170	A113X	12
90 OHM	170	A114BX	12
100 OHM	170	A114X	12
100SL	135	A115X	12
100SLB	135	A116	291
120 OHM	170	A117	13
150 OHM	170	A118X	13
200 OHM	170	A119	13
300 OHM	170	A120GLHLOCK-55	1
350 OHM	170	A120GLHLOCK-70	2
600 OHM	170	A120GLHLOCK-75	3
1520CW	284	A120GRHLOCK-55	1
03244 Mastic	275	A120GRHLOCK-70	2
4270S	252	A120GRHLOCK-75	3
7306L00004	125	A120WLHLOCK-55	1
7306L00006	125	A120WLHLOCK-70	2
7306R00004	125	A120WLHLOCK-75	3
7306R00006	125	A120WRHLOCK-55	1
7318-4	39	A120WRHLOCK-70	2
7318-5	39	A120WRHLOCK-75	3
7318-6	39	A121A	11
7318-7	39	A121AW	11
7318-9	40	A121GLHS	41
7318-10	40	A121GRHS	41
7318-11	40	A121WLHS	41
7318-144	39	A121WRHS	41
30341	186	A127X	12
30341	295	A129	13
80149S	123	A130GLH	5
3201322	132	A130GLH-55	4
3201905	133	A130GRH	5
3201910	133	A130GRH-55	4
3201920	132	A130WLH	5
92220308	153	A130WLH-55	4
404111320	242	A130WRH	5
404111420	242	A130WRH-55	4



A134G	15	A390G	46
A134G-55	15	A390W	46
A134W	15	A470-15	248
A134W-55	15	A625-18	248
A150GLH	7	A900	174
A150GRH	7	A900-G	174
A150WLH	7	A900-G-SIL	174
A150WRH	7	A930-30	248
A151GLH	42	A1230-36	248
A151GRH	42	A1530-58	248
A151WLH	42	A1700-58	248
A151WRH	42	A1800-58	248
A154	291	A2100-3030	248
A157	291	A2400-3036	248
A210G	37	A2700-3636	248
A210W	37	A3000-5836	248
A211G	38	A3600-5858	248
A211W	38	AFB10	16
A212	38	AFB10	174
A220GLH	32	AFP84100	153
A220GRH	32	AH600-1500J	247
A220WLH	32	AH – 713N	84
A220WRH	32	AH-714	111
A222	291	AH-838	75
A225GLH	31	AH-1132	117
A225GRH	31	AH-1178	75
A225WLH	31	AH-1178-05	75
A225WRH	31	AH-1178C	79
A230GLH	33	AH-1200	86
A230GRH	33	AH1200-2500J	247
A230WLH	33	AH- 1300	84
A230WRH	33	AH-1450	107
A240G	27	AH-1460	107
A240SS	27	AH-1470	107
A240W	27	AH-1500	57
A242A	28	AH-1500	96
A242LX	28	AH1500-3500J	247
A250G	28	AH1800-4500J	247
A250GL	35	AH2100-4500J	247
A250W	28	AH2700-4500J	247
A250WL	35	ANM-001	154
A260	17	ANM-002	154
A280G	17	ARROW LABEL	141
A280W	17	ATM103	127
A310G	46	AV510	280
A310W	46	AW-D5G	176
A320	292	B600-10	249
A320N	292	B750-15	249
A320W	292	B900-18	249
A370G	48	B1200-30	249
A370W	48	B1500-36	249
A375G	155	B1850-58	249
A375W	155	B2100-1830	249
A380G	48	B2400-3030	249
A380W	48	B2700-3036	249

B3000-3636	249	CRH060-400	288
B3300-3658	249	CRH061-75	195
B3600-5858	249	CRH061-100	195
BITUTHENE 3000	282	CRH061-150	195
BOS1128C	274	CRH061-200	195
BOS1831	280	CRH061-250	195
C01	180	CRH062	195
C01W	180	CRH062	290
C02	180	CRH063	195
C02W	180	CRH063	290
C05E	181	CRH064	195
C05EW	181	CRH064	290
C05I	181	CRH065	195
C05IW	181	CRH065	290
CBT-2	269	CRH066	195
CCAHM	179	CRH066	290
CCAHSM	179	CRH067-200	194
CCD-ACP	128	CRH067-200	288
CCM35	179	CRH067-300	194
CCM50	179	CRH067-300	288
CCM75	179	CRH067-400	194
CCSM35	179	CRH067-400	288
CCSM50	179	CRH068	195
CCSM75	179	CRH-096	140
CDH-1-OJ	172	CRH-611	292
CDH-2-OJ	172	CRH-612	292
CDT4M	285	CRH-660	150
CDT5M	285	CRH-750	166
CDT6M	285	CRH-750UH	166
CDT8M	285	CRH-1000	164
CDT10M	285	CRH-1000-150	164
CF001	147	CRH-1000-200	164
CF001	240	CRH-1000UH	164
CF002	147	CRH1961X	83
CF002	240	CRH5710X	82
CF004	147	CRH5722X	82
CF004	240	CRH5723X	82
CF006	147	CRH6188LX	86
CF006	240	CRH6188LXSS	87
CF007	147	CRH6188NX	86
CF007	240	CRH6188NXSS	87
CPN120	153	CRH-EMK	292
CPNF40	153	CRH-ILB	161
CRCB10-200	189	CRH-ILB	246
CRCB10-300	189	CRH-ILB	294
CRCB12-200	189	CRH-PHP10	137
CRCB12-300	189	CRH-PHP25	137
CRCBZ-10	189	CRH-SKA-09K	23
CRH034	194	CRH-SKA-11	50
CRH035	194	CRH-SKA-17K	50
CRH40X	111	CRH-SKA-28	50
CRH060-200	194	CRH-SSFFGK	20
CRH060-200	288	CRH-SSFGRK1.5	26
CRH060-300	194	CRH-SSFGRK1.5	227
CRH060-300	288	CRH-SSFGRK2	26



CRH-SSFGRK2	227	DW305	160
CRH-SSFGRK2.5	26	E222	55
CRH-SSFGRK2.5	227	E389520	196
CRH-SSFGRK5	26	E389520	291
CRH-SSFGRK5	227	EL8021EC	238
CRH-SSHB70X	9	EL8021325	238
CRH-SSHB110X	9	EL8021650	238
CRH-SSRFGK	20	EMCA10	247
CRH-SSRRP2.5	26	EMCA20	247
CRH-SSRRP3.5	26	F250	177
CRH-SSRTS1K	36	F250	236
CRH-SSSB1K	36	F430CRH-115	68
CRH-SSSB2K	36	F430CRH-115	69
CRH-SSTP2.5	16	F430CRH-115P	68
CRH-SSTP3.5	16	F430CRH - 165	69
CSD-10	192	F430CRH-165	68
CSD-10	293	F430CRH-165P	68
CSD-12	192	F430CRH-170P	68
CSD-12	293	F431CRH - 115	69
CSDX	192	F431CRH-115	68
CSDX	293	F431CRH-115P	68
CSH	193	F431CRH - 165	69
CSK20075-M10CH	188	F431CRH-165	68
CSK20075-M10	188	F431CRH-165P	68
CSK20075-M12	188	F431CRH-170P	68
CSK20075-M12CH	188	F431XX115	70
CSK200100-M10	188	F431XX165	70
CSK200100-M10CH	188	F473	98
CSK200100-M12	188	F473SHIM	98
CSK200100-M12CH	188	F473SHIM	139
CSK300150-M10	188	F520	72
CSK300150-M10CH	188	F521	71
CSK300150-M12	188	F521SHIM	73
CSK300150-M12CH	188	F521SHIM	139
CSK300200-M10	188	F1573 - 40	99
CSK400250-M10	188	F1573 - 47	99
CSP	193	F1573 - 55	99
CSZ1050K	289	F1671SHIM	139
CT027	269	F2131-115	218
D03	155	F2131-160	218
D05-ZP	154	F2131NG	222
DBR - 1000	295	F2131NGK	177
DBR - 1000RR	295	F2131NGK	238
DBR - 1000RRSS	295	F2131PAN-115	219
DCP9V	162	F2131PAN-160	219
DCS/1	160	F2134-115	218
DG9016SM325	24	F2134-160	218
DG9016SM650	24	F2134NG	222
Dowsil 580 Clear	277	F2134NGK	177
Dowsil 580 Matt Black	277	F2134NGK	238
Dowsil 580 White	276	F2134PAN-115	219
DP0640K	286	F2134PAN-160	219
DTRACK325	16	F2135-115	218
DTRACK650	16	F2135-160	218
DW304	160	F2135DV	220

F2135NG	222	F8730-115/160K	52
F2135NGK	177	F8730-115/160K	223
F2135NGK	238	F8730P15	139
F2135PAN-115	219	F8760R	153
F2135PAN-160	219	F15618V-EX	74
F2136DV	220	F16537	228
F2136PAN-115	219	F60106SAV	225
F2136PAN-160	219	F60138	228
F2137DV	220	F60259	233
F2137PAN-115	219	F60267EMB	234
F2137PAN-160	219	F60268EMB	234
F2156-115	218	F60423	69
F2156-160	218	F61778	21
F2156NG	222	F61778	226
F2156NGK	177	F61821	24
F2156NGK	238	F61821	235
F2156PAN-115	219	F61889EMB	52
F2156PAN-160	219	F61889EMB	230
F2227	165	F70097	235
F2227-RFS	165	F1150491	227
F2320	231	F1150791	227
F2420	54	F1150891	227
F2420	231	F1157391/25	25
F02920DVL250	178	F1157391/25	229
F02920DVL250	237	F1157391/36	25
F02962L250	178	F1157391/36	229
F02962L250	237	F1157391/47	25
F3312	177	F1157391/47	229
F3312	236	F6010818SAV	237
F3350	178	F6013503EMB	225
F3350	236	F6013611	22
F3362	236	F6013611	228
F5010SVPH	221	F6013711	22
F5211	73	F6013711	228
F5212	73	F6013991	228
F5213	73	F6026911SAV	233
F7540-17190	233	F6037091	228
F7540-17192D	234	F6145791	231
F7540-17192G	234	F6177908	21
F7540-17194	233	F6177908	226
F8230P15	232	F6180807	21
F8511	178	F6180807	226
F8511	237	F6180807/2P	140
F8520	54	F6180807/2P	226
F8520	230	F6180808	21
F8530	52	F6180808	226
F8530	223	F6217100	232
F8530P	140	F6602095D	10
F8530P	223	F6602095D	224
F8730-70/115	52	F6602095G	10
F8730-70/115	223	F6602095G	224
F8730-70/115K	52	F6602403DSAV	225
F8730-70/115K	223	F6602403GSAV	225
F8730-115/160	52	F6647803D	10
F8730-115/160	223	F6647803D	224



F6647803G	10	K56T002	65
F6647803G	224	K56T003	65
FDC-001K	134	K56T005	65
FH9118T8	146	K58L05021	61
FH9118T8	239	K78CL5020	60
FH9136T8	146	K78L05020	60
FH9136T8	239	K171B08	89
FH9236T8	146	K171B024	88
FH9236T8	239	K171BC08	89
FLX-5-2-BC	171	K171C04	89
FLX-10-2-BC	171	K172B06	90
FLX-15-2-BC	171	K172BC06	91
FULLER-HI-TEMP	274	K172C06	91
G02	18	K174B04	93
G02 E	18	K174B014	92
G03	18	K174BC04	93
G03 E	18	K174C04	93
G05	19	K481	78
G09	19	K481A	78
GB4325	245	K481C	78
GF600IM	149	K481K	80
GF600IM	244	K481SA600	78
GSHI-LO	176	K481SC600	78
GSHI-LO-80	176	K483	79
H01X	53	K486	79
H02X	53	K533D	94
HG01	109	K778CL06020	62
HP45	193	K778L06020	62
HP BLACK	112	K912-4	56
HP BLACK	113	K912-4	97
HP BLACK	114	K915-55	56
HP BLACK	137	K915-55	97
HP SILVER	112	K1216	115
HP SILVER	113	K1216SK	115
HP SILVER	114	K1219	116
HP SILVER	137	K1229	141
H&S	44	K1245P2	101
I-34-I-01	109	K1245P2	102
I-36-D	123	K1245P2	103
I-36-D02	123	K1245P6	101
I-147	57	K1245P6	102
I-147	96	K1245P6	103
IPDIPS161	161	K1245T00004	102
IPDIPS161	246	K1245T00016	102
IPDIPS161	294	K1245T00020	102
IT60W	149	K1245T00064	102
IT60W	245	K1255V00004C	104
ITS-MRS	161	K1256V00004C	104
ITS-MRS	294	K1367R016	116
JTRACK325	16	K1377S00004	105
JTRACK650	16	K1377S00008	105
K56CL5020	59	K1377S00018	105
K56CLT108	58	K1967-004	158
K56L0T021	58	K1967-005	158
K56L05020	59	K1967-006	158

K1967-007	158	K1245000040	101
K1967-008	159	K1245000044	101
K1967-009	159	K1245000068	101
K1967-010	159	K1245000080	101
K1967-010	294	K1248000004	103
K1967-57	157	K1248000016	103
K1967-57D	157	K1248000020	103
K1967-117	159	K1248000027	103
K1967-942	159	K1255000003	104
K1967-944	159	K1398000012	110
K1967-9472	159	K1815000010	243
K03103	253	K60310000005	254
K03104	253	KASONSIL	273
K7305-76	122	KE0795-501	197
K17104	88	KE0795-5001	197
K17206	90	KL200	184
K17404	92	KL600	184
K81204	85	KPVC2260AC12	212
K91104	56	KPVC2260AF12	212
K91104	97	KPVC2260BC12	212
K109304	129	KPVC2260BF12	212
K109308	129	KPVC3100BC12	212
K155604	118	KPVC3100BF12	212
K565002	64	KSDC6402285AC	200
K565003	64	KSDC6402285AF	206
K565005	64	KSDC7152285AC	200
K565008	64	KSDC7152285AF	206
K585001	67	KSDC7902285AC	200
K585002	67	KSDC7902285AF	206
K585003	67	KSDC8502285BC	202
K730704	125	KSDC8502285BF	208
K730706	125	KSDC8503125BC	204
K778002	66	KSDC8503125BF	210
K778003	66	KSDC8652285AC	200
K778004	66	KSDC8652285AF	206
K1257008	116	KSDC9402285AC	200
K1556011	119	KSDC9402285AF	206
K1556012	119	KSDC9652285BC	202
K1556013	119	KSDC9652285BF	208
K1556014	119	KSDC9653125BC	204
K1556021	120	KSDC9653125BF	210
K1556022	120	KSDC10152285AC	200
K1556023	120	KSDC10152285AF	206
K1556024	120	KSDC10652285BC	202
K1556035	121	KSDC10652285BF	208
K1556036	121	KSDC10653125BC	204
K18320806	167	KSDC10902285AC	200
K052000004	63	KSDC10902285AF	206
K660000064	150	KSDC11652285AC	200
K1037000044	106	KSDC11652285AF	206
K1073000004	106	KSDC11652285BC	202
K1094000093	130	KSDC11652285BF	208
K1094000926	130	KSDC11653125BC	204
K1094000927	130	KSDC11653125BF	210
K1245000028	101	KSDC12452285AC	200





KSDC12452285AF	206	KSDC21552285AC	201
KSDC12952285BC	202	KSDC21552285AF	207
KSDC12952285BF	208	KSDC22102285BC	203
KSDC12953125BC	204	KSDC22102285BF	209
KSDC12953125BF	210	KSDC22103125BC	205
KSDC13202285AC	200	KSDC22103125BF	210
KSDC13202285AF	206	KSDC22352285AC	201
KSDC13952285AC	200	KSDC22352285AF	207
KSDC13952285AF	206	KSDC23102285AC	201
KSDC14202285BC	202	KSDC23102285AF	207
KSDC14202285BF	208	KSDC23352285BC	203
KSDC14203125BC	204	KSDC23352285BF	209
KSDC14203125BF	210	KSDC23353125BC	205
KSDC14702285AC	200	KSDC23353125BF	211
KSDC14702285AF	206	KSDC23852285AC	201
KSDC15252285BC	202	KSDC23852285AF	207
KSDC15252285BF	208	KSDC24402285BC	203
KSDC15253125BC	204	KSDC24402285BF	209
KSDC15253125BF	210	KSDC24403125BC	205
KSDC15502285AC	200	KSDC24403125BF	211
KSDC15502285AF	206	KSDC24602285AC	201
KSDC16252285AC	201	KSDC24602285AF	207
KSDC16252285AF	207	KSDC25402285AC	201
KSDC16252285BC	202	KSDC25402285AF	207
KSDC16252285BF	208	KSDC25402285BC	203
KSDC16253125BC	204	KSDC25402285BF	209
KSDC16253125BF	210	KSDC25403125BC	205
KSDC17002285AC	201	KSDC25403125BF	211
KSDC17002285AF	207	KSDC26652285BC	203
KSDC17502285BC	202	KSDC26652285BF	209
KSDC17502285BF	208	KSDC26653125BC	205
KSDC17503125BC	204	KSDC26653125BF	211
KSDC17503125BF	210	KSDC27952285BC	203
KSDC17752285AC	201	KSDC27952285BF	209
KSDC17752285AF	207	KSDC27953125BC	205
KSDC18552285AC	201	KSDC27953125BF	211
KSDC18552285AF	207	KSDC28952285BC	203
KSDC18802285BC	202	KSDC28952285BF	209
KSDC18802285BF	208	KSDC28953125BC	205
KSDC18803125BC	204	KSDC28953125BF	211
KSDC18803125BF	210	KSDC29952285BC	203
KSDC19302285AC	201	KSDC29952285BF	209
KSDC19302285AF	207	KSDC29953125BC	205
KSDC19802285BC	202	KSDC29953125BF	211
KSDC19802285BF	208	KSDCHP3050	212
KSDC19803125BC	204	KSDCKIT	212
KSDC19803125BF	210	L02	77
KSDC20052285AC	201	L07-75	44
KSDC20052285AF	207	L07-100	44
KSDC20802285AC	201	L07-150	44
KSDC20802285AF	207	L07-200	44
KSDC20852285BC	202	L15	45
KSDC20852285BF	208	L15	95
KSDC20853125BC	204	LABEL-01	141
KSDC20853125BF	210	LABEL-02	141

LABEL-05	144	P05	270
LABEL-06	144	P07-PW	143
Label -WG	235	P07-SK	143
LABEL-WG	145	P07-SW	143
LH48	269	P08	270
LOCK LABEL 1	142	P11ZLHMSB	114
LOCK LABEL 2	142	P11ZLHMSB-50	114
M10-1000Z	194	P11ZLHMSBK	114
M10-1000Z	288	P11ZLHMSPIN	112
M12-1000Z	194	P11ZLHMSPIN-50	112
M12-1000Z	288	P11ZLHMSPINK	112
M1640	250	P11ZLHSSPIN	113
M1640A	250	P11ZLHSSPIN-50	113
M1641	250	P11ZLHSSPINK	113
M1642	250	P11ZRHMSB	114
M1643	250	P11ZRHMSB-50	114
M1644	250	P11ZRHMSBK	114
MAS-TB	128	P11ZRHMSPIN	112
MF50 Aluminium Grey Silicone		P11ZRHMSPIN-50	112
	276	P11ZRHMSPIN	112
MFC40-325	182	P11ZRHSSPIN	113
MFC40-650	182	P11ZRHSSPIN-50	113
MFC50-325	182	P11ZRHSSPINK	113
MFC50-650	182	P12-LHS	112
MGAVAS0414DK	286	P12-RHS	112
MGAVAS0414SMK	286	P54P	263
MGAVAS0516DK	286	P54SS	268
MGAVAS0516SMK	286	P75P	263
MGAVAS0619DK	286	P75SS	268
MGAVAS0619SMK	286	P86P	263
MSA1075K	286	P86SS	268
MT4SS25	287	PH1-50mm	296
MT4ZP25	287	PH2-50mm	296
MT5SS25	287	PH3-50mm	296
MT5SS50	287	PM1830EPL	271
MT5ZP25	287	PM1836EPL	271
MT5ZP50	287	PM1842EPL	271
MT6SS25	287	PM1848EPL	271
MT6ZP25	287	PM1854EPL	271
MT8SS30	287	PM1860EPL	271
MT8ZP30	287	PM1872EPL	271
MTPZ0620K	287	PM2430EPL	271
MX3FG-300	283	PM2436EPL	272
MX6-30	283	PM2442EPL	272
MX6-250	283	PM2448EPL	272
N130C	278	PM2454EPL	272
NECFL37BR-BHG	246	PM2460EPL	272
NM6BNW	292	PM2472EPL	272
NRG53	176	PM18307EPL	271
NRG4100	174	PM18307EPL5	271
NRG4100-G	174	PM18367EPL	271
NRG-4100-G-SIL	174	PM18367EPL5	271
OXIRA XG	244	PM18427EPL	271
P01	270	PM18427EPL5	271
P03	270	PM18487EPL	271



PM18487EPL5	271	RH260	95
PM18547EPL	271	RLC4.8-2	185
PM18547EPL5	271	RLC4.8-4	185
PM18607EPL	271	RLC4.8-6	185
PM18607EPL5	271	RLC4.8-8	185
PM18727EPL	271	RLC4.8-10	185
PM18727EPL5	271	RLC6.0-2	185
PM24307EPL	271	RLC6.0-4	185
PM24307EPL5	271	RLC6.0-6	185
PM24367EPL	272	RLC6.0-8	185
PM24367EPL5	272	RLC6.0-10	185
PM24427EPL	272	RLS30/240	161
PM24427EPL5	272	RLS30/240	294
PM24487EPL	272	RMBHC10	173
PM24487EPL5	272	RMBHC48	173
PM24547EPL	272	RTS85	131
PM24547EPL5	272	S01LH	30
PM24607EPL	272	S01RH	30
PM24607EPL5	272	S8GSS38	289
PM24727EPL	272	S8GZP38	289
PM24727EPL5	272	S10-C	29
PNBM16-30	291	S10GSS38	289
PRP00102	168	S10GSS50	289
PTC05S-3	151	S10GZP38	289
PTC05WS-3	151	S10GZP50	289
PTC05WWS-3	151	S10-I	29
Push	141	S11LH	34
PWP4010010	138	S11RH	34
PWP4010025	138	S12GSS38	289
PWP6015010	138	S12GZP38	289
PWP6015025	138	S14GSS38	289
PWP8020010	138	S14GZP38	289
PWP8020025	138	S355x6033T54P	257
QIR240200J	247	S355x6033T75P	257
QIR240300J	247	S355x6033T86P	257
QIR240300J118	247	S355x6034T54P	257
QIR240500J	247	S355x6034T75P	257
QIR240500N	247	S355x6034T86P	257
R183	122	S355x6035T54P	257
R1080G	108	S355x6035T75P	257
R1080W	108	S355x6035T86P	257
RA4040	182	S355x7553T54P	258
RA4040W	182	S355x7553T75P	258
RBA40-1.25	49	S355x7553T86P	258
RBA40-2.1	49	S355x7554T54P	258
RBA40-3.25	49	S355x7554T75P	258
RBA40-6.5	49	S355x7554T86P	258
RBWH40-1.25	49	S355x7555T54P	258
RBWH40-2.1	49	S355x7555T75P	258
RBWH40-3.25	49	S355x7555T86P	258
RBWH40-6.5	49	S355x9083T54P	258
RC01K	76	S355x9083T75P	258
RC02	81	S355x9083T86P	258
RC02	292	S355x9084T54P	258
RH260	55	S355x9084T75P	258

S355x9084T86P	258	S457x6034T54P	259
S355x9085T54P	258	S457x6034T54SS	264
S355x9085T75P	258	S457x6034T75P	259
S355x9085T86P	258	S457x6034T75SS	264
S355x10603T54P	258	S457x6034T86P	259
S355x10603T75P	258	S457x6034T86SS	264
S355x10603T86P	258	S457x6035T54P	259
S355x10604T54P	258	S457x6035T54SS	264
S355x10604T75P	258	S457x6035T75P	259
S355x10604T86P	258	S457x6035T75SS	264
S355x10605T54P	258	S457x6035T86P	259
S355x10605T75P	258	S457x6035T86SS	264
S355x10605T86P	258	S457x7553T54P	260
S355x12133T54P	258	S457x7553T54SS	265
S355x12133T75P	258	S457x7553T75P	260
S355x12133T86P	258	S457x7553T75SS	265
S355x12134T54P	258	S457x7553T86P	260
S355x12134T75P	258	S457x7553T86SS	265
S355x12134T86P	258	S457x7554T54P	260
S355x12135T54P	258	S457x7554T54SS	265
S355x12135T75P	258	S457x7554T75P	260
S355x12135T86P	258	S457x7554T75SS	265
S355x13653T54P	259	S457x7554T86P	260
S355x13653T75P	259	S457x7554T86SS	265
S355x13653T86P	259	S457x7555T54P	260
S355x13654T54P	259	S457x7555T54SS	265
S355x13654T75P	259	S457x7555T75P	260
S355x13654T86P	259	S457x7555T75SS	265
S355x13655T54P	259	S457x7555T86P	260
S355x13655T75P	259	S457x7555T86SS	265
S355x13655T86P	259	S457x9083T54P	260
S355x15183T54P	259	S457x9083T54SS	265
S355x15183T75P	259	S457x9083T75P	260
S355x15183T86P	259	S457x9083T75SS	265
S355x15184T54P	259	S457x9083T86P	260
S355x15184T75P	259	S457x9083T86SS	265
S355x15184T86P	259	S457x9084T54P	260
S355x15185T54P	259	S457x9084T54SS	265
S355x15185T75P	259	S457x9084T75P	260
S355x15185T86P	259	S457x9084T75SS	265
S355x18223T54P	259	S457x9084T86P	260
S355x18223T75P	259	S457x9084T86SS	265
S355x18223T86P	259	S457x9085T54P	260
S355x18224T54P	259	S457x9085T54SS	265
S355x18224T75P	259	S457x9085T75P	260
S355x18224T86P	259	S457x9085T75SS	265
S355x18225T54P	259	S457x9085T86P	260
S355x18225T86P	259	S457x9085T86SS	265
S355x18255T75P	259	S457x10603T54P	260
S457x6033T54P	259	S457x10603T54SS	265
S457x6033T54SS	264	S457x10603T75P	260
S457x6033T75P	259	S457x10603T75SS	265
S457x6033T75SS	264	S457x10603T86P	260
S457x6033T86P	259	S457x10603T86SS	265
S457x6033T86SS	264	S457x10604T54P	260



S457x10604T54SS	265	S457x15184T75P	261
S457x10604T75P	260	S457x15184T75SS	266
S457x10604T75SS	265	S457x15184T86P	261
S457x10604T86P	260	S457x15184T86SS	266
S457x10604T86SS	265	S457x15185T54P	261
S457x10605T54P	260	S457x15185T54SS	266
S457x10605T54SS	265	S457x15185T75P	261
S457x10605T75P	260	S457x15185T75SS	266
S457x10605T75SS	265	S457x15185T86P	261
S457x10605T86P	260	S457x15185T86SS	266
S457x10605T86SS	265	S457x18223T54P	261
S457x12133T54P	260	S457x18223T54SS	266
S457x12133T54SS	265	S457x18223T75P	261
S457x12133T75P	260	S457x18223T75SS	266
S457x12133T75SS	265	S457x18223T86P	261
S457x12133T86P	260	S457x18223T86SS	266
S457x12133T86SS	265	S457x18224T54P	261
S457x12134T54P	260	S457x18224T54SS	266
S457x12134T54SS	265	S457x18224T75P	261
S457x12134T75P	260	S457x18224T75SS	266
S457x12134T75SS	265	S457x18224T86P	261
S457x12134T86P	260	S457x18224T86SS	266
S457x12134T86SS	265	S457x18225T54P	261
S457x12134T86SS	265	S457x18225T54SS	266
S457x12135T54P	260	S457x18225T75P	261
S457x12135T54SS	265	S457x18225T75SS	266
S457x12135T75P	260	S457x18225T86P	261
S457x12135T75SS	265	S457x18225T86SS	266
S457x12135T86P	260	S610x6033T54P	261
S457x12135T86SS	265	S610x6033T54SS	266
S457x13653T54P	261	S610x6033T75P	261
S457x13653T54SS	266	S610x6033T75SS	266
S457x13653T75P	261	S610x6033T86P	261
S457x13653T75SS	266	S610x6033T86SS	266
S457x13653T86P	261	S610x6034T54P	261
S457x13653T86SS	266	S610x6034T54SS	266
S457x13654T54P	261	S610x6034T75P	261
S457x13654T54SS	266	S610x6034T75SS	266
S457x13654T75P	261	S610x6034T86P	261
S457x13654T75SS	266	S610x6034T86SS	266
S457x13654T86P	261	S610x6035T54P	261
S457x13654T86SS	266	S610x6035T54SS	266
S457x13655T54P	261	S610x6035T75P	261
S457x13655T54SS	266	S610x6035T75SS	266
S457x13655T75P	261	S610x6035T86P	261
S457x13655T75SS	266	S610x6035T86SS	266
S457x13655T86P	261	S610x7553T54P	262
S457x13655T86SS	266	S610x7553T54SS	267
S457x15183T54P	261	S610x7553T75P	262
S457x15183T54SS	266	S610x7553T75SS	267
S457x15183T75P	261	S610x7553T86P	262
S457x15183T75SS	266	S610x7553T86SS	267
S457x15183T86P	261	S610x7554T54P	262
S457x15183T86SS	266	S610x7554T54SS	267
S457x15184T54P	261	S610x7554T75P	262
S457x15184T54SS	266		

S610x7554T75SS	267	S610x12134T86P	262
S610x7554T86P	262	S610x12134T86SS	267
S610x7554T86SS	267	S610x12135T54P	262
S610x7555T54P	262	S610x12135T54SS	267
S610x7555T54SS	267	S610x12135T75P	262
S610x7555T75P	262	S610x12135T75SS	267
S610x7555T75SS	267	S610x12135T86P	262
S610x7555T86P	262	S610x12135T86SS	267
S610x7555T86SS	267	S610x13653T54P	263
S610x9083T54P	262	S610x13653T54SS	268
S610x9083T54SS	267	S610x13653T75P	263
S610x9083T75P	262	S610x13653T75SS	268
S610x9083T75SS	267	S610x13653T86P	263
S610x9083T86P	262	S610x13653T86SS	268
S610x9083T86SS	267	S610x13654T54P	263
S610x9084T54P	262	S610x13654T54SS	268
S610x9084T54SS	267	S610x13654T75P	263
S610x9084T75P	262	S610x13654T75SS	268
S610x9084T75SS	267	S610x13654T86P	263
S610x9084T86P	262	S610x13654T86SS	268
S610x9084T86SS	267	S610x13655T54P	263
S610x9085T54P	262	S610x13655T54SS	268
S610x9085T54SS	267	S610x13655T75P	263
S610x9085T75P	262	S610x13655T75SS	268
S610x9085T75SS	267	S610x13655T86P	263
S610x9085T86P	262	S610x13655T86SS	268
S610x9085T86SS	267	S610x15183T54P	263
S610x10603T54P	262	S610x15183T54SS	268
S610x10603T54SS	267	S610x15183T75P	263
S610x10603T75P	262	S610x15183T75SS	268
S610x10603T75SS	267	S610x15183T86P	263
S610x10603T86P	262	S610x15183T86SS	268
S610x10603T86SS	267	S610x15184T54P	263
S610x10604T54P	262	S610x15184T54SS	268
S610x10604T54SS	267	S610x15184T75P	263
S610x10604T75P	262	S610x15184T75SS	268
S610x10604T75SS	267	S610x15184T86P	263
S610x10604T86P	262	S610x15184T86SS	268
S610x10604T86SS	267	S610x15185T54P	263
S610x10605T54P	262	S610x15185T54SS	268
S610x10605T54SS	267	S610x15185T75P	263
S610x10605T75P	262	S610x15185T75SS	268
S610x10605T75SS	267	S610x15185T86P	263
S610x10605T86P	262	S610x15185T86SS	268
S610x10605T86SS	267	S610x18223T54P	263
S610x12133T54P	262	S610x18223T54SS	268
S610x12133T54SS	267	S610x18223T75P	263
S610x12133T75P	262	S610x18223T75SS	268
S610x12133T75SS	267	S610x18223T86P	263
S610x12133T86P	262	S610x18223T86SS	268
S610x12133T86SS	267	S610x18224T54P	263
S610x12134T54P	262	S610x18224T54SS	268
S610x12134T54SS	267	S610x18224T75P	263
S610x12134T75P	262	S610x18224T75SS	268
S610x12134T75SS	267	S610x18224T86P	263



S610x18224T86SS	268	SDHI WHITE	51
S610x18225T54P	263	SDROLL - 1.5X75	215
S610x18225T54SS	268	SDROLL - 1.5X75BLUE	215
S610x18225T75P	263	SDROLL - 1.5X75GREEN	
S610x18225T75SS	268		215
S610x18225T86P	263	SDROLL - 1.5X75RED	215
S610x18225T86SS	268	SDROLL - 1.5X75SMOKEYGREY	
S1424P	257		215
S1430P	258	SDROLL - 1.5X75YELLOW	
S1436P	258		215
S1442P	258	SDROLL - 2X100	215
S1448P	258	SDROLL - 2X100F	215
S1454P	259	SDROLL - 2x100R	215
S1460P	259	SDROLL - 2X100RF	215
S1472P	259	SDROLL - 2X200	215
S1824P	259	SDROLL - 2X200F	215
S1824SS	264	SDROLL - 2X200R	215
S1830P	260	SDROLL - 2x200RF	215
S1830SS	265	SDROLL - 2X300UVTRED	
S1836P	260		215
S1836SS	265	SDROLL - 3X150	215
S1842P	260	SDROLL - 3X150F	215
S1842SS	265	SDROLL - 3X150R	215
S1848P	260	SDROLL - 3X150RF	215
S1848SS	265	SDROLL - 3X300	215
S1854P	261	SDROLL - 3X300F	215
S1854SS	266	SDROLL - 3x300R	215
S1860P	261	SDROLL - 3x300RF	215
S1860SS	266	SF-200L	148
S1872P	261	SF-200L	241
S1872SS	266	SFE-10CS	251
S2424P	261	SFE-15	251
S2424SS	266	SFE-18	251
S2430P	262	SFE-30	251
S2430SS	267	SFE-36	251
S2436P	262	SKA-09P	140
S2436SS	267	SKZ-001	194
S2442P	262	SKZ-002	194
S2442SS	267	SKZ-002	288
S2448P	262	SKZ-003	195
S2448SS	267	SKZ-003	290
S2454P	263	SKZ-004	195
S2454SS	268	SKZ-004	290
S2460P	263	SKZ-005	195
S2460SS	268	SKZ-005	290
S2472P	263	SKZ-006	195
S2472SS	268	SKZ-006	291
SA3	176	SSA1	152
SC4-050	6	SSA1	256
SC4-051	14	SSA2	152
SCK	152	SSA2	256
SCK	255	SSA3	152
SCLK	152	SSA3	256
SCLK	255	SSA4	152
SDHI BLACK	51	SSA4	256

SSA5	152
SSA5	256
SSA6	152
SSA6	256
STCSS612K	289
STCZ14134K	289
STPSS616K	289
STPSS634K	289
STPZ142K	289
STPZ1034K	289
SX-TERM-1-BC	171
T17H3141075K	289
TAC103	281
TAC230R20	279
TAC230R200	279
TB-120	290
TB-230	290
TB-NM8	290
TKN10	196
TKN10	291
W18	6
W21	14
W1229	175
w1240	175
W5039	176
W15071K	23
W20408	175
WRPK	124
WSKC20075-M10	190
WSKC20075-M12	190
WSKC200100-M10	190
WSKC200100-M12	190
WSKC300150-M10	190
WSKC300150-M12	190
WSKC300200-M10	190
WSKC300200-M12	190
WSKC400250-M10	190
WSKC400250-M12	190
WSKP20075-M10	191
WSKP20075-M12	191
WSKP200100-M10	191
WSKP200100-M12	191
WSKP300150-M10	191
WSKP300150-M12	191
WSKP300200-M10	191
WSKP300200-M12	191
WSKP400250-M10	191
WSKP400250-M12	191
WSZ103834K	290
WWGTP1.5	26
WWGTP2	26
WWGTP2.5	26
X-140AWC	14

